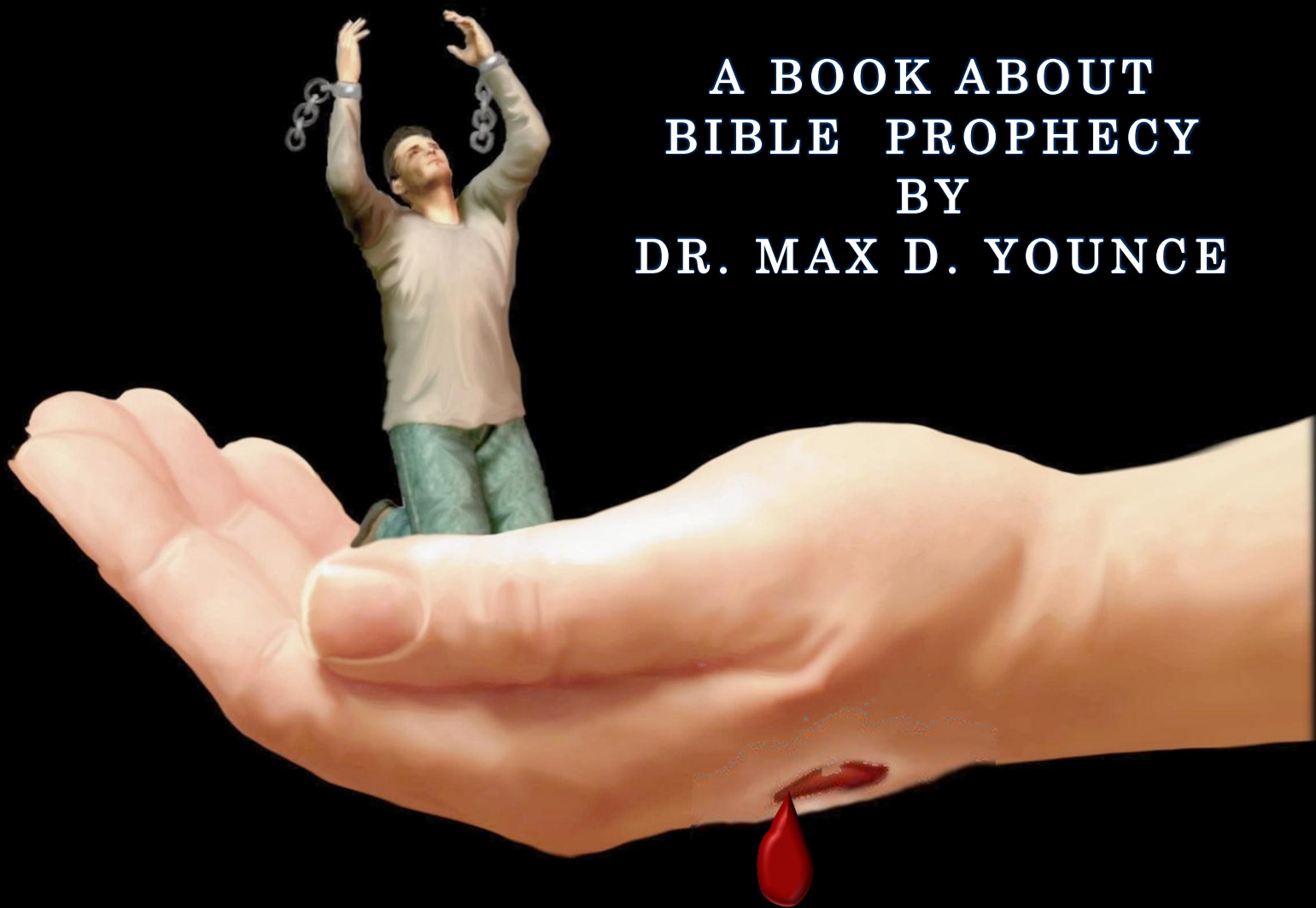


I KNOW WHO HOLDS TOMORROW

A BOOK ABOUT
BIBLE PROPHECY
BY
DR. MAX D. YOUNCE



I KNOW WHO HOLDS TOMORROW

A BOOK ON
BIBLE PROPHECY
BY DR. MAX D. YOUNCE

"Behold, the former things are come to pass,
and new things do I declare:
before they spring forth
I tell you of them."
Isaiah 42:9

I KNOW WHO HOLDS TOMORROW

A BOOK ON BIBLE PROPHECY

BY DR. MAX D. YOUNCE

Copyright © 2012
ALL RIGHTS RESERVED

No portion of this publication may be reproduced, stored in any electronic system, or transmitted in any form or by any means, electronic, mechanical, photocopy, recording, or otherwise, without written permission from the author.

Unless otherwise indicated, all Scripture quotations are taken from the King James Translation of the Bible.

Library of Congress Control Number: 2012905595
ISBN-13: 978-0-9833648-2-5

First Printing: 2012

HERITAGE BAPTIST BIBLE CHURCH

P.O. Box 573

Walnut Grove, MN 56180

Dr. Max D. Younce, Pastor

Web: <http://www.heritagebbc.com>

Printed in the USA By

Morris Publishing

3212 E. Hwy. 30

Kearney, NE 68847

800-650-7888

About The Cover: The picture on the cover is a work by Duncan Long, entitled "In His Hand." It is Copyrighted © by Duncan Long with all rights reserved, and he has graciously given us permission to use this beautiful piece of art without charge. His only request is that you contact him at duncan@duncanlong.com (or call at 785-776-6186); if you have any questions about using this picture; or any of his other works found in this book. Thank you so much, Mr. Long!

TABLE OF CONTENTS

| | |
|--|-------|
| TABLE OF FIGURES | XVI |
| ACKNOWLEDGEMENTS..... | XVII |
| FOREWARD | XVIII |
| I KNOW WHO HOLDS TOMORROW: LYRICS BY IRA P. STANPHIL..... | 20 |
| I KNOW WHO HOLDS TOMORROW...DO YOU?..... | 21 |
| SECTION ONE..... | 23 |
| THE FOUNDATION STONES OF PROPHECY | 25 |
| I. DISPENSATIONS..... | 25 |
| A. <i>Brief Overview of the Dispensations.</i> | 25 |
| First Dispensation: Innocence. | 25 |
| Second Dispensation: Conscience. | 25 |
| Third Dispensation: Human Government. | 25 |
| Fourth Dispensation: Promise..... | 25 |
| Fifth Dispensation: Law..... | 26 |
| Sixth Dispensation: The Church Age of Grace..... | 26 |
| Seventh Dispensation: The Tribulation. | 26 |
| Eighth Dispensation: The Kingdom. | 26 |
| B. <i>What Future Events Did the Old Testament Prophets See?</i> | 27 |
| C. <i>Israel Is Not The Church, And The Church Is Not Israel</i> | 27 |
| D. <i>The Guarantee That Future Prophecy Will Be Fulfilled.</i> | 27 |
| <i>Chart: Future Events Seen By the Old Testament Prophets</i> | 28 |
| II. THE PROPHETIC SCRIPTURES ARE HISTORY WRITTEN IN ADVANCE. | 29 |
| A. <i>Nebuchadnezzar’s Troubling Dream (Daniel 2:1-13).</i> | 29 |
| B. <i>“History Written In Advance” (Daniel 2:31-45 7:4-8, 19-25)</i> | 32 |
| 1. Cyrus, A Ruler Named By God 150 Years Before His Birth (Isaiah 44:28;45:3-6). | 32 |
| 2. The Greek Empire of Alexander, the Great; Named 220 Years Before It Existed. | 33 |
| 3. Roman Empire Predicted In Advance (Daniel 2:33;7:7). | 33 |
| <i>“History Written In Advance,” Illustrated by a Large Image: Daniel, Chapter 2</i> | 34 |
| C. <i>The Interpretation of Daniel 2:36-45</i> | 35 |
| 1. The Head of Gold: Babylonian Kingdom (Daniel 2:32, 37,38;7:4). | 35 |
| 2. Chest and Arms of Silver: Medo-Persia (Daniel 2:32, 39a; 7:5)..... | 35 |
| 3. Belly and Thighs of Brass: Greece (Daniel 2:32, 39b;7:6). | 35 |
| 4. Iron Legs of Rome (Daniel 2:33a, 40; 7:7, 15-28). | 35 |
| (The Church Age; Not Known to Old Testament Prophets) | 36 |
| 5. Feet and Toes; Iron Mixed With Clay (Daniel 2:33b, 34, 41-43;7:19-25). | 36 |
| 6. The Kingdom; “The Stone Cut Out Without Hands (Jesus Christ)”(Dan. 2:34-35,44-45). | 37 |
| III. THE “HANDWRITING ON THE WALL.” | 38 |
| A. <i>Belshazzar Is a Type of the Antichrist.</i> | 38 |
| 1. He Had No Regard For The Holy Things of The Temple. | 38 |

| | |
|---|-----------|
| 2. The Prophet Daniel Warns The Jews About The Antichrist (Daniel 9:27a)..... | 39 |
| 3. The Antichrist Also Hates the Things of God (1 Thessalonians 2:3,4) | 40 |
| <i>B. The Interpretation of The Handwriting On The Wall.....</i> | <i>41</i> |
| <i>C. MENE, MENE, TEKEL, UPHARSIN.....</i> | <i>42</i> |
| <i>The Beasts Of Daniel, Chapters 7 and 8, and Revelation 13:1-2 Compared.....</i> | <i>44</i> |
| IV. THE “BEASTS” OF DANIEL, CHAPTER 7 AND DANIEL, CHAPTER 8, EXPLAINED. | 45 |
| <i>A. The Babylonian Empire of Nebuchadnezzar; A Lion with Wings. (Daniel 7:4)</i> | <i>45</i> |
| <i>B. Medo-Persian Empire, Pictured by a Bear; and a Ram With Two Horns (Daniel 7:5).</i> | <i>45</i> |
| 1. The Bear “...raised itself up on one side,...” (Medo-Persia.) | 46 |
| 2. (Daniel 8:3,4) The “...ram which had two horns...” (Medo-Persia) | 46 |
| <i>C. The Grecian Empire, Pictured by a Four-Winged, Four-Headed Leopard; and a One-Horned Goat (Daniel 7:6; 8:5-8). 46</i> | |
| 1. (Daniel 7:6) The Four-Winged, Four-Headed Leopard (Grecian Empire) | 46 |
| 2. (Daniel 8:5-8) The Rough He-Goat with One Horn (Grecian Empire)..... | 47 |
| SECTION TWO..... | 49 |
| I. PROPHECIES FULFILLED BY CHRIST..... | 51 |
| <i>A. The Proposal.....</i> | <i>51</i> |
| <i>B. One Man By Race, Nation, Tribe, Family, Individual.</i> | <i>51</i> |
| <i>C. Events of Christ’s Life.....</i> | <i>52</i> |
| 1. Place of Birth. | 52 |
| The Two Bethlehems..... | 52 |
| 2. Time of Birth/Death..... | 52 |
| Time of Death Predicted (Daniel 9:25,26; Galatians 4:4). | 53 |
| 3. Flight to Egypt..... | 53 |
| 4. Infants Massacred..... | 54 |
| Rachel Weeping For Her Children. | 54 |
| 5. Jerusalem Entry. | 54 |
| 6. Ministry in Galilee..... | 55 |
| 7. His Betrayal..... | 55 |
| 8. 30 Pieces of Silver..... | 56 |
| The Thirty Pieces of Silver Predicted 500 Years Before..... | 56 |
| 9. Money for the Potter’s Field..... | 56 |
| 10. False Witnesses. | 56 |
| 11. Silent When Accused. | 56 |
| 12. Rejected by the Jews. | 57 |
| 13. A Prophet..... | 57 |
| Christ Recognized As a Prophet; 1400 Years Before His Birth..... | 58 |
| 14. A Priest..... | 58 |
| <i>D. Explanation of Isaiah 53:4,5.....</i> | <i>58</i> |
| a. Isaiah 53:4 Is Physical Healing..... | 59 |
| b. Isaiah 53:5,6 Is Spiritual Healing. | 59 |
| <i>E. Treatment and Crucifixion.</i> | <i>59</i> |
| 1. Smitten and Spat Upon..... | 59 |
| 2. Hated Without a Cause..... | 60 |

| | |
|--|-----------|
| 3. Vicariously Suffered..... | 60 |
| 4. Crucified With Sinners..... | 61 |
| 5. Hands & Feet Pierced..... | 61 |
| 6. Mocked & Insulted..... | 61 |
| 7. Gall and Vinegar..... | 61 |
| 8. Hears Prophetic Words Repeated in Mockery..... | 62 |
| 9. His Side Pierced..... | 62 |
| 10. Cast Lots for Clothing..... | 62 |
| 11. No Bones Broken..... | 62 |
| 12. Buried With the Rich..... | 63 |
| 13. His Ascension..... | 63 |
| <i>F. The Royal Blood Line of Christ Bypasses the Curse on Jeconiah's Line.....</i> | <i>64</i> |
| II. PROOFS THAT THE GOSPEL WRITERS WROTE INDEPENDENTLY..... | 66 |
| <i>A. The Gospel of Matthew.....</i> | <i>66</i> |
| <i>B. The Gospel of Mark.....</i> | <i>67</i> |
| <i>C. The Gospel of Luke.....</i> | <i>67</i> |
| <i>D. The Gospel of John.....</i> | <i>67</i> |
| <i>E. An Example; The Anointing of the Savior's Head and Feet.....</i> | <i>68</i> |
| SECTION THREE..... | 70 |
| I. ABOUT THIS SECTION..... | 71 |
| THE "HAT DIAGRAM" OUTLINE..... | 71 |
| THE CHURCH AGE, SIXTH DISPENSATION: STAR "A"..... | 73 |
| I. THE CHURCH IDENTIFIED..... | 73 |
| II. THE CHURCH HAS NOT REPLACED ISRAEL!..... | 74 |
| III. EXPLANATION OF ROMANS 11:20, 21..... | 76 |
| <i>A. Romans, Chapters 9-11.....</i> | <i>76</i> |
| 1. Israel In the Past..... | 76 |
| 2. Israel In the Present..... | 76 |
| 3. Israel In the Future..... | 77 |
| IV. CAN WE DISCERN THE SIGNS OF THE TIMES?..... | 78 |
| <i>A. Signs for the 7-Year Tribulation.....</i> | <i>78</i> |
| 1. Matthew 24:3-12..... | 79 |
| 2. Matthew 24:23-24..... | 79 |
| 3. Matthew 24:29-30..... | 79 |
| <i>B. Signs For the End of the Church Age.....</i> | <i>80</i> |
| 1. 1 Timothy 3:1-15..... | 80 |
| 2. 1 Timothy 4:1-4..... | 81 |
| V. "AS THE DAYS OF NOAH"..... | 82 |
| <i>A. An Explanation of Genesis 6:1-9.....</i> | <i>82</i> |
| <i>B. Who Are The Sons of God?.....</i> | <i>83</i> |
| <i>C. The "Sons of God." In Genesis 6:2 Are Demons, and Disembodied Spirits.....</i> | <i>84</i> |
| 1. Demon Possession..... | 85 |

| | |
|--|------------|
| 2. Genesis 6:2, "...Daughters of Men." | 85 |
| 3. Genesis 6:2, "...the sons of God saw the daughters of men that they were FAIR;" | 85 |
| 4. Genesis 6:2, "...and they took them wives." | 86 |
| 5. Genesis 6:3. | 87 |
| 6. Genesis 6:4, "There were giants in the earth in those days..." | 87 |
| 7. The Hebrew Word for Giant is "Raphah." | 88 |
| 8. Genesis 6:4. | 88 |
| 9. False Assumptions. | 90 |
| VI. THE TWO RESURRECTIONS | 91 |
| <i>A. First Resurrection, All Are Saved.</i> | <i>91</i> |
| 1. The Resurrection of Christ, the First Fruits. | 91 |
| 2. Saints Resurrected After Christ's Resurrection, the Sheaf Offering To God. | 91 |
| 3. The Resurrection At The Rapture, The Harvest. | 91 |
| 4. The Resurrection Of The Two Witnesses. | 92 |
| 5. Old Testament And The Martyred Saints Of The Tribulation, The Gleanings. | 92 |
| <i>B. Second Resurrection, Made Up of All Lost.</i> | <i>92</i> |
| <i>C. Exception: All Christians At The End Of The Millennium.</i> | <i>92</i> |
| <i>Diagram of The Two Resurrections</i> | <i>94</i> |
| THE RAPTURE: STAR "B" | 95 |
| I. IS THE CHURCH RAPTURED BEFORE, DURING, OR AFTER THE TRIBULATION PERIOD? | 95 |
| <i>A. The Timing of the Rapture</i> | <i>95</i> |
| 1. The Rapture Is Not The Same Event As The Coming of Christ at The End of The Tribulation. | 95 |
| 2. Refutation: | 95 |
| a. Matthew 25:31-34. | 96 |
| b. Matthew 25:41 Tells Us What Happens To the Lost. | 96 |
| 3. A Pre-Tribulation Rapture Is What the Bible Teaches. | 97 |
| 4. The Church Is "Delivered" From Wrath (1 Thessalonians 5:9). | 97 |
| 5. Spiritual and Carnal Christians Are Raptured At The Same Time! | 98 |
| 6. No Partial Rapture. | 99 |
| 7. No Partial Rapture (1 John 3:2). | 99 |
| 8. No Partial Rapture (1 Corinthians 15:51). | 100 |
| 9. No Partial Rapture (1 Thessalonians 4:17). | 100 |
| <i>B. A Post-Tribulation Rapture Is Unscriptural and Unfounded In Scripture.</i> | <i>100</i> |
| <i>C. Final Proof of a Pre-Tribulation Rapture.</i> | <i>101</i> |
| <i>D. Examination of 2 Thessalonians 2:3.</i> | <i>101</i> |
| <i>E. The Event of the Rapture.</i> | <i>102</i> |
| II. THE OLD TESTAMENT SAINTS DID NOT GO TO HEAVEN | 104 |
| III. YES, CHILDREN WILL GO AT THE RAPTURE! | 106 |
| IV. THE RAPTURE DEFENDED | 107 |
| <i>A. 1 Thessalonians 4:14-17.</i> | <i>107</i> |
| <i>B. Proof by Scripture References.</i> | <i>107</i> |
| <i>C. All Go At The Rapture.</i> | <i>109</i> |
| THE JUDGMENT SEAT OF CHRIST: STAR "C" | 113 |

| | |
|---|------------|
| I. THE SCRIPTURE | 113 |
| A. 1 Corinthians 3:11, "For Other Foundation Can No Man Lay..." | 113 |
| B. 1 Corinthians 3:12, "Now If Any Man Build Upon This Foundation..." | 114 |
| C. 1 Corinthians 3:13, "Every man's work shall be made manifest:..." | 115 |
| D. 1 Corinthians 3:14, "If Any Man's Work Abide..." | 116 |
| E. 1 Corinthians 3:15, "If Any Man's Work Shall Be Burned..." | 116 |
| F. God's Will For the Christian "In a Nutshell." | 117 |
| G. 2 Corinthians 5:9-10, All Christians Will Be There. | 117 |
| H. Romans 14:10-12, "...For We Shall All Stand At the Judgment Seat of Christ." | 118 |
| I. God's Will For His Children. | 120 |
| II. WILL WE HAVE A NEW NAME IN GLORY?..... | 122 |
| THE TRIBULATION PERIOD: THE SEVENTH DISPENSATION: STAR "D" | 129 |
| I. AFTER THE RAPTURE, THE ANTICHRIST CONFIRMS THE COVENANT | 129 |
| II. ISRAEL IS NOT BACK IN THE LAND TO STAY!..... | 134 |
| A. Chaim Weizman And the Balfour Declaration. | 134 |
| B. Israel's Restoration As a Recognized Nation. (Ezekiel 37:7,8)..... | 134 |
| C. Israel In the Future. | 135 |
| III. THE PROPHECY OF DANIEL 9:24-27 | 137 |
| A. Daniel 9:24. | 137 |
| B. Daniel 9:25. | 139 |
| C. Daniel 9:26a. | 140 |
| D. Diagram: The 70 Weeks of Daniel 9:24-27 Illustrated. | 141 |
| IV. THE TWO OLIVE TREES OF ZECHARIAH FOUR..... | 142 |
| A. Introduction – Over All View. | 142 |
| B. Introduction: Preliminary view of Chapter Four. | 143 |
| C. Visual Aids For Prophecy. | 143 |
| D. "A Picture Is Worth a Thousand Words." | 143 |
| Diagram: The Two Olive Trees of Zechariah, Chapter Four. | 144 |
| E. The Future Prophecy – The Two Olive Trees..... | 147 |
| V. THE TWO WITNESSES OF REVELATION, CHAPTER ELEVEN..... | 149 |
| A. The Introduction..... | 149 |
| B. The Rebuilt Temple: Revelation 11:1-2..... | 150 |
| C. The Two Witnesses of God. | 151 |
| 1. Zechariah 4:3-4, 11-14. | 151 |
| 2. Revelation 11:3-4. | 151 |
| 3. Satan's Accusation. | 156 |
| 4. Satan's Proposal..... | 156 |
| 5. God's Permission, Power, and Protection..... | 156 |
| D. The Service of the Two Witnesses is Completed. | 156 |
| 1. Revelation 11:7. | 156 |
| 2. Revelation 11:8. | 157 |
| 3. Revelation 11:9: Television. | 157 |
| E. A Spiritual Application: | 158 |

| | |
|---|------------|
| F. <i>The Antichrist's "Christmas" (Revelation 11:10)</i> | 158 |
| G. <i>The Two Witnesses Resurrected (Revelation 11:11)</i> | 159 |
| 1. Revelation 11:12..... | 160 |
| 2. Revelation 11:13..... | 160 |
| H. <i>The Big Question: "The Two Witnesses—Who Are They?"</i> | 161 |
| 1. Moses and Elijah?..... | 161 |
| 2. Enoch and Elijah?..... | 161 |
| 3. Elijah?..... | 162 |
| 4. John the Baptist?..... | 162 |
| VI. THE 144,000 JEWISH WITNESSES DURING THE TRIBULATION | 163 |
| A. <i>The 144,000 Jewish Witnesses of Revelation 7:1-8</i> | 163 |
| 1. The Lord Controls the Weather. (Revelation 7:1-3)..... | 164 |
| 2. The Two Witnesses of Revelation 11:3..... | 165 |
| B. <i>The 144,000 Witnesses Referenced In Revelation 14:3,4</i> | 165 |
| 1. God's Warning..... | 165 |
| 2. Dan's Wandering..... | 166 |
| 3. God's Withholding..... | 167 |
| 4. God's Faithfulness to His Promises..... | 167 |
| 5. An Example of the Believer's Eternal Security..... | 167 |
| C. <i>The 144,000 Witnesses of Revelation 14:1-5</i> | 169 |
| D. <i>Conclusion</i> | 171 |
| VII. IS THERE A REVIVAL OF THE ROMAN EMPIRE? | 172 |
| <i>Map of the Roman Empire At Its Greatest Extent</i> | 174 |
| VIII. THE DAYS OF THE TRIBULATION WILL BE SHORTENED (DANIEL 12:11,12) | 175 |
| A. <i>Explanation of the "Diagram: The Shortening of the Days of the Tribulation. (Pg. 180)</i> | 176 |
| 1. Here are the three sets of figures Daniel gives:..... | 176 |
| 2. 30 days with Letters A, B, C, D..... | 177 |
| 3. 15 Days with Numbers 1, 2, 3..... | 177 |
| B. <i>Summary: The Tribulation Will Be Cut Short by 4 Months and 20 Days</i> | 178 |
| <i>Diagram: The Shortening of the Days of the Tribulation Period</i> | 180 |
| THE MARRIAGE SUPPER OF THE LAMB: STAR "E" | 181 |
| A. <i>Who Is The Bridegroom?</i> | 181 |
| 1. The Bridegroom in Relation to Israel..... | 181 |
| 2. Mark 2:19, 20. The Marriage and Kingdom on Hold?..... | 181 |
| 3. Who is the Bride?..... | 182 |
| 4. The Wife (Israel) Rejects the Bridegroom (Jesus Christ)..... | 182 |
| 5. The Wife of the Lamb in Revelation 19:7..... | 182 |
| B. <i>Examining Revelation 19:7,8</i> | 183 |
| 1. Revelation 19:7a..... | 183 |
| 2. Revelation 19:7b..... | 183 |
| 3. Revelation 19:8..... | 184 |
| 4. Revelation 3:4, 5..... | 185 |
| C. <i>"Family Pictures" at The Judgment Seat of Christ</i> | 185 |

| | |
|---|------------|
| <i>D. The "Reception" After the Marriage (Revelation 19:9).</i> | 186 |
| <i>E. The Marriage Supper.</i> | 186 |
| 1. Where Will This Supper Take Place? | 187 |
| 2. Revelation 19:9. The "Called" Guests..... | 187 |
| 3. Matthew 26:29. A Feast On Earth Different From The Marriage Feast In Heaven. | 188 |
| 4. Abraham Looked For the Heavenly City..... | 189 |
| 5. Can One Feast at the Supper In Their Spiritual Body?..... | 189 |
| 6. Angels Will Also Be Present At the Supper..... | 190 |
| THE FIRST BATTLE OF GOG AND MAGOG: STAR "F" | 193 |
| I. RUSSIA AND HER ALLIES..... | 193 |
| A. <i>Russia Identified in Ezekiel 38:1-3.</i> | 193 |
| 1. "Gog and Magog." | 193 |
| B. <i>Russia's Allies Identified In Ezekiel 38:5,6.</i> | 194 |
| 1. Persia..... | 195 |
| 1a. Relations with Russia..... | 196 |
| 2. Ethiopia..... | 196 |
| 2a. Ethiopia's Relations With Russia. | 197 |
| 3. Libya..... | 197 |
| 4. Togarmah..... | 199 |
| 5. Gomer..... | 199 |
| C. <i>Russia Will Invade Israel on Horseback</i> | 200 |
| <i>Persia – Ethiopia – Libya – Turkey – Germany</i> | 200 |
| The Value of Horses and Mules In Modern Warfare | 201 |
| D. <i>Facts About the Topography of Jerusalem & Israel</i> | 203 |
| E. <i>Russia's plans for invading Israel</i> | 204 |
| F. <i>Russia's Strategy for Invading Israel In the Latter Days</i> | 205 |
| 1. Ezekiel 38:16 & 38:10-12 :..... | 205 |
| G. <i>The Consequences of Russia's Plan.</i> | 207 |
| H. <i>Russia And Her Allies will be Annihilated! (Ezekiel 39)</i> | 208 |
| <i>Map: Russia and Her Five Allies Come Down Against Israel</i> | 214 |
| THE ANTICHRIST RISES TO POWER: STAR "G" | 215 |
| I. THE ANTICHRIST IS ONLY A MAN; BUT, PERSONALLY INDWELT BY SATAN, HIMSELF. | 215 |
| A. <i>How He Operates (2 Corinthians 11:4)</i> | 215 |
| B. <i>The Antichrist, In His Flesh, Is Only a Man.</i> | 216 |
| 1. Revelation 13:18. | 216 |
| 2. "666" Only Adds Up to "He Is a Man!" | 217 |
| 3. In His Flesh, He will be a Jewish Descendant of Abraham..... | 217 |
| 4. The Antichrist Is NOT Judas Reincarnated, As Some Have Stated..... | 219 |
| II. CHARACTERISTICS OF THE ANTICHRIST AND FALSE PROPHET, THE COMING ONE-WORLD RULER | 219 |
| 1. He will brainwash people. | 219 |
| 2. He will change times and laws. | 219 |
| 3. He will make you obey, or be killed. | 219 |

| | |
|--|------------|
| 4. He speaks great things against God..... | 219 |
| 5. He will be a peacemaker..... | 219 |
| 6. .He will be an intellectual genius, “understanding dark sentences.”..... | 219 |
| 7. He will be a miracle worker. | 220 |
| 8. Doing miracles. | 220 |
| 9. He is a murderer and a liar. | 220 |
| 10. He will be a Jew. | 220 |
| 11. He will not be married. | 220 |
| 12. He will be part of the Unholy Trinity..... | 220 |
| 13. He will use flatteries and be an oratorical genius..... | 220 |
| 14. He will be a military genius..... | 221 |
| 15.He will be a religious genius. | 221 |
| 16.He is of fierce countenance. | 221 |
| 17. He will be a commercial genius. | 221 |
| THE ANTICHRIST BREAKS THE COVENANT: STAR “H” | 223 |
| <i>A. The "Abomination of Desolation"</i> | <i>223</i> |
| <i>B. God Enables the Antichrist to Do Supernatural Miracles.</i> | <i>226</i> |
| <i>C. The Two “Beasts” of Revelation 13.</i> | <i>227</i> |
| <i>D. What About the Seven Heads and Ten Horns?</i> | <i>231</i> |
| <i>Diagram: The Power Struggle of the Seven Kings.</i> | <i>232</i> |
| PETRA, TRIBULATION REFUGE | 236 |
| <i>A. The Tribulation Period.....</i> | <i>236</i> |
| <i>B. The Great Tribulation</i> | <i>236</i> |
| <i>C. Petra, "City of Refuge"</i> | <i>240</i> |
| THE SECOND COMING: STAR “I” | 243 |
| I. CHRIST RETURNS TO THE EARTH. | 243 |
| <i>A. Location, the Mount of Olives.</i> | <i>243</i> |
| <i>B. Saints of God Will Come With Christ.</i> | <i>243</i> |
| <i>C. Christ Sits Upon His Throne.</i> | <i>243</i> |
| <i>D. Purpose, To Judge The Nations.</i> | <i>243</i> |
| <i>F. COMPARISON OF THE RAPTURE & REVELATION</i> | <i>247</i> |
| THE BATTLE OF ARMAGEDDON: STAR “J” | 249 |
| I. INTRODUCTION. | 249 |
| <i>A. The Scriptures:.....</i> | <i>249</i> |
| <i>B. Verse 12. The Drying-Up of the River Euphrates.</i> | <i>250</i> |
| <i>C. “Kings of the East.”</i> | <i>250</i> |
| <i>D. Joel 3:2,3: Location of the Battle of Armageddon.....</i> | <i>251</i> |
| <i>E. Joel 3:2, 9-14: God Invites the Ungodly To Their Battle of Death.....</i> | <i>251</i> |
| <i>E. Revelation 14:14-20: At Armageddon, Death Is Instantaneous for Christ’s Enemies.....</i> | <i>252</i> |
| <i>F. Revelation 19:19-21. Armageddon, the Beast, and the False Prophet.....</i> | <i>254</i> |
| II. CHRISTIANS IN HEAVEN DO HAVE KNOWLEDGE OF EARTHLY ACTIVITIES | 255 |

| | |
|--|------------|
| A. Revelation 6:9-11..... | 255 |
| THE JUDGMENT OF THE NATIONS: STAR “K” | 257 |
| A. Matthew 24:38-44; Matthew 25:31-46..... | 257 |
| B. The Passage In Question: Matthew 25:31-46..... | 257 |
| C. The Doctrinal Truth of Matthew 25:31-46..... | 258 |
| | 265 |
| KINGDOM REIGN OF CHRIST ON EARTH: STAR “L” | 265 |
| A. Events of The First 45 Days..... | 265 |
| B. Israel’s Promised Land Will Be Restored In the Millennium, All of It!..... | 265 |
| 1. Genesis 17:7, 8. The Title Deed to the Land of Israel..... | 265 |
| 2. Genesis 15:18-21 Marks the Boundaries..... | 266 |
| 3. Genesis 17:8. The Land Is An Everlasting Possession of Israel; Not the Arabs..... | 266 |
| 4. Blessings and Cursings..... | 268 |
| 5. Disobedience Brought Judgment and Captivity (Jeremiah 25:11; 29:10)..... | 268 |
| 6. The Modern Day “Give-Away!”..... | 268 |
| 7. The Tribulation Period Precedes the Kingdom Reign of Christ..... | 270 |
| C. The Millennial Reign of Christ Is Israel’s Restoration After the Tribulation..... | 270 |
| 1. Israel Will Never Be Scattered Again. (Amos 9:15)..... | 271 |
| 2. The Land Will Be Blessed For Israel. (Isaiah 35:1)..... | 272 |
| 3. Peace At Last, Not Only For Israel, But For the Whole World. (Micah 4:3)..... | 272 |
| 4. No More Sickness or Disease. (Isaiah 35:5,6; 60:22; Psalm 127:3-5)..... | 272 |
| 5. No Ferocious Animals To Attack Man (Isaiah 11:6; Romans 8:19-22)..... | 273 |
| 6. There Will Be No Need to Steal, People Will Have All They Need..... | 273 |
| 7. The Lord Will Be King Over All The Earth (Zechariah 14:9; Jeremiah 23:5,6)..... | 273 |
| 8. The Desert Shall Blossom As a Rose...(Isaiah 35:1,2)..... | 274 |
| 9. There Will Be a Highway to Jerusalem To Worship..... | 274 |
| 10. An Abundance of Harvest, Times Are Good!..... | 274 |
| 11. A Change In the Atmosphere And the Solar Spectrum..... | 274 |
| 12. Geological Changes..... | 275 |
| 13. Topographical Changes..... | 275 |
| 14. The Gates of Jerusalem Will Be Named After Each Tribe..... | 278 |
| 15. The Earth Will Be Filled With The Knowledge of the Lord..... | 278 |
| 16. No Anti-Semitism..... | 278 |
| 17. The Saved Will Live Through The Millennium With No Death Recorded..... | 279 |
| 18. The Saints Will Judge The Angels & The World..... | 279 |
| 19. All Nations Must Come Up To the Feast of Tabernacles..... | 279 |
| D. The World During The Millennium..... | 280 |
| 1. The Twelve Apostles Will Judge the Twelve Tribes of Israel: (Matthew 19:27,28)..... | 281 |
| 2. Christians Will Be Kings and Priests During the Millennial Reign..... | 281 |
| 3. There Will Be Righteous Government During the Kingdom..... | 281 |
| E. The Millennial Temple and Priests..... | 282 |
| 1. The Feasts On Earth..... | 282 |

| | |
|--|------------|
| 2. The Marriage Supper of The Lamb | 283 |
| 3. Who Will Build the Millennial Temple? | 283 |
| 4. The Feast of Tabernacles..... | 284 |
| 5. Where Is the Ark of the Covenant? | 284 |
| 6. The Eastern Gate; or the Golden Gate? | 284 |
| 7. The Temple Priests. (Ezekiel, Chapter 44) | 284 |
| 8. The Tribe of Dan Will Receive Their Portion of Land..... | 285 |
| a. The Heart of a Lost Man Will Still Be the Same..... | 286 |
| b. Only Satan Is Chained. (Revelation 20:1-3)..... | 286 |
| c. Satan Will Be Freed to Deceive Again. | 286 |
| F. Egypt, Assyria, and Israel. Three Nations Resurrected In a Day. | 287 |
| 1. They Are Continually In The News. | 287 |
| 2. Assyria. "...I will bless them that bless thee (Israel), and curse them that curseth thee." (Genesis 12:1-3)..... | 288 |
| 3. Egypt. "...I will bless them that bless thee (Israel), and curse them that curseth thee." | 289 |
| 4. Egypt Has No Where To Turn; But, the Lord (Isaiah 19:19-21). | 290 |
| SECOND BATTLE OF GOG AND MAGOG: STAR "M" | 293 |
| A. Introduction..... | 293 |
| B. Satan Chained. | 293 |
| 1. Revelation 20:4. | 294 |
| 2. Revelation 20:5. | 294 |
| C. Satan's Activities – Revelation 20:7-10. | 295 |
| 1. Revelation 20:7: | 295 |
| 2. Revelation 20:8. | 295 |
| D. Conclusion As To Why Satan's Army Will Be Composed of All Gentiles. | 300 |
| E. The "Battle" and Satan's End (Revelation 20:9, 10). | 300 |
| THE GREAT WHITE THRONE JUDGMENT: STAR "N" | 305 |
| Revelation 20:11-15. | 305 |
| A. The Final Judgment: All The Lost..... | 305 |
| B. The Final Sentence..... | 305 |
| 1. Revelation 20:11. | 306 |
| 2. Revelation 20:12. | 307 |
| 3. Revelation 20:13. | 308 |
| 4. Revelation 20:14. | 309 |
| 5. Revelation 20:15. | 310 |
| THE NEW HEAVENS AND THE NEW EARTH: STAR "O" | 311 |
| The Scriptures: Revelation 21:1; 2 Peter 3:13..... | 311 |
| A. Is This Present Earth Going to Be Renovated or Annihilated?..... | 311 |
| SECTION FOUR..... | 315 |
| HEADLINES FROM BABYLON..... | 316 |
| I. THE CITY OF BABYLON | 317 |

| | |
|--|------------|
| <i>A. Babylon Is In Existence Now: Babylon Must Be Existing Before the Rapture.</i> | 317 |
| 1. Revelation 18:2. "Babylon the GREAT is fallen..." | 320 |
| 2. Revelation 16:12-19. Babylon Exists at The Time of Armageddon..... | 321 |
| <i>B. Where Does the Antichrist Sign the Peace Covenant?</i> | 321 |
| 1. The Antichrist Attends the Peace Conference for World Survival, in Babylon!..... | 321 |
| 2. Commercial Babylon Is Destroyed By God at the Battle of Armageddon. | 322 |
| II. THE ONE-WORLD RELIGIOUS SYSTEM | 325 |
| <i>A. The First Problem for The World Federation of Nations is: "All The Fighting Religions of the World."</i> | 325 |
| <i>B. A Problem Soon Eliminated: Religious Babylon Will Be Destroyed First.</i> | 329 |
| BIBLIOGRAPHY | 333 |
| OTHER BOOKS BY THE AUTHOR | 334 |
| HOW TO ORDER BOOKS | 336 |
| SOURCE OF ILLUSTRATIONS | 337 |

TABLE OF FIGURES

| | |
|--|-----|
| 1. Above Is A Detail From the Cover Picture by Artist Duncan Long, Entitled "In His Hand." | 22 |
| 2. Chart of the Dispensations..... | 25 |
| 3. Chart: Future Events Seen By the Old Testament Prophets..... | 28 |
| 4. History Written In Advance, Illustrated by a Large Image: Daniel, Chapter 2..... | 34 |
| 5. The Beasts Of Daniel, Chapters 7 and 8, and Revelation 13:1-3 Compared..... | 44 |
| 6. Detail From Babylon Processional Way..... | 45 |
| 7. Three Nations Making Up Medo-Persian Empire. | 46 |
| 8. Timeline or the "Hat Diagram" | 71 |
| 9. Diagram of The Two Resurrections | 94 |
| 10. Harpy Eagle, Demonstrating the Word "Harpazo." | 107 |
| 11. Diagram: The 70 Weeks of Daniel 9:24-27 Illustrated. | 141 |
| 12. The Computation of Years for Daniel 9:24-27..... | 142 |
| 13. Diagram: The Two Olive Trees of Zechariah, Chapter Four. | 144 |
| 14. Map of the Roman Empire At Its Greatest Extent..... | 174 |
| 15. Diagram: The Shortening of the Days of The Tribulation Period. | 180 |
| 16. Emperor Haille Selassie..... | 196 |
| 17. Right: Meles Zenawi and Vladimir Putin..... | 197 |
| 18. Mustafa Abdel Jalil, Chairman – National Transitional Council | 198 |
| 19. Topographical Map of Israel | 203 |
| 20. Map of Israel as a Divided Kingdom..... | 211 |
| 21. Map: Russia and Her Five Allies Come Down Against Israel | 214 |
| 22. Satan In Disguise. | 215 |
| 23. "...A Minister of Righteousness..." | 216 |
| 24. "Taking The Mark" | 229 |
| 25. "The First Two Seconds In Hell." | 230 |
| 26. Diagram: The Power Struggle of the Seven Kings..... | 232 |
| 27. Petra, City of Refuge #1 | 240 |
| 28. Petra, City of Refuge, Amphitheatre. | 241 |
| 29. Random Pictures of Al-Hillah, Iraq..... | 318 |
| 30. Roosevelt, Stalin, Churchill in Tehran, Iran. | 319 |
| 31. Anwar Sadat and Mechachem Begin..... | 319 |
| 32. Smoke Billows From Kuwait Oil Fires | 320 |
| 33. Pictorial Essay on the City of Babylon..... | 331 |

ACKNOWLEDGEMENTS

First, I want to thank my Savior, the Lord Jesus Christ, for the gift of Eternal Life, and for His Incomparable Word. All we need to know about living today and what the future holds is found in the pages of God's Word.

I deeply appreciate all the hours of hard work that Carolyn "Puddin" Schmit put in to help me proof read pages. She is a busy working mother, and I thank her for the help.

I would also like to thank the members of Heritage Baptist Bible Church for all their encouragement and patience while this book was in the making.

Last, but not least, I thank my wife, Marge, who has typed every page, arranged the graphics, and laid out the cover. Without her, I could not have written this book.

FOREWARD

This book is not a fictional account of someone's opinion about Bible prophecy. This is a book of scriptural facts regarding Bible prophecy; which God has given in his Holy Word. As Jack Webb, star of the old television sitcom "Dragnet," used to say, "We just want the facts, Ma'am." That is all any Christian wants; the truth of God's Word and not some man's opinion.

I have preached messages on the subject of Bible Prophecy for all the forty-two years of my ministry; and many have requested that I put them in a book. This is that book.

1. The fulfilled prophecy of the past is proof that future prophecy will be fulfilled. That is why we can "know who holds tomorrow." God holds our future and the future of all mankind in His Mighty Hand.

"And all the inhabitants of the earth are reputed as nothing: and he doeth according to his will in the army of heaven, and among the inhabitants of the earth: and none can stay his hand, or say unto him, What doest thou?" (Daniel 4:35)

2. No "names have been changed to protect the innocent." The true character of the Antichrist is revealed; but, not his identity, as that is unknown. Satan is also waiting for the "trump of God" to announce the Rapture; as he knows at that time he can indwell the person who will become the Antichrist; and that he only has approximately seven years. You think it is tough to witness now? Think what it will cost Christians to witness during the Tribulation Period. Satan will do everything to hinder their witness then; just as he does now. During the Tribulation Period, if a Christian is caught, he will pay with his life!

"Be sober, be vigilant; because your adversary the devil, as a roaring lion, walketh about, seeking whom he may devour:" (1 Peter 5:8)

3. The Tribulation Period begins immediately following the Rapture. The Rapture is the "Blessed Hope" of the Christian, and a judgment on those who have rejected Christ. Every dispensation begins with a covenant and ends with a judgment. Our responsibility during the dispensation we live in, Grace, is to win the lost.

"But sanctify the Lord God in your hearts: and be ready always to give an answer to every man that asketh you a reason of the hope that is in you with meekness and fear:" (1 Peter 3:15)

4. There is no "Revival of the Roman Empire." The Roman Empire was not a global empire, as the Antichrist's Empire will be. The Antichrist's World Federation of Nations is not the European Common Market, Catholicism, Islam, Buddhism, or any other "ism." Many cities in the world sit on "seven hills," and this is not a reason to assume the Antichrist's Empire will be Rome, and the Pope will be the Antichrist. There is no evidence for this in God's Word.

5. Two cities must be existing before the Tribulation Period begins. That is Jerusalem and Babylon. Babylon has never been destroyed; but, deteriorated away. A city of approximately 540,000 people is located within her confines today. God will destroy Babylon at the Battle of Armageddon.

6. God will restore Israel's land—all of it! He will keep all the promises that He made to Abraham, Isaac, and Jacob. Israel is Israel, and the Church is the Church. They are two differ-

ent entities in God's Program. Israel will have her promised 1,000 years of peace in the Kingdom with Her Savior, King Jesus, reigning on His Throne. Christians will be privileged to share in the blessings of the Kingdom, and reign as "Kings, and Priests."

7. Six nations must be existing at the time of the Rapture, as they become allies in a battle against Israel, and swing into action immediately. They are: Russia, Iran (Persia) Ethiopia, Turkey (Togarmah), Germany (Gomer), and Libya. Assyria, Egypt, and Israel will be united in the Kingdom. The United States is not mentioned in Bible prophecy. Perhaps the Lord has deliberately refrained from mentioning the United States to allow us to exercise our free will to choose to trust Him and live for Him; or, choose to reject Him.

8. However, as we observe the moral decline all around us, it doesn't look as if the United States of America even cares what the Lord thinks. Judges only "slap the hands" of criminals and sex offenders, turning them back out on our unprotected citizens. The Supreme Court sits and legalizes the murder of innocent children in the womb. They legitimize the rights of homosexuals and lesbians as an alternate lifestyle, and allow this to be taught in our schools, and not to be spoken against. Things are getting so bad, God may have to raise up Sodom and Gomorrah and apologize. No, God's Holy Word says there is a punishment for Christ rejecters, and they will be sentenced at the Great White Throne Judgment to the Lake of Fire.

"Then shall he say also unto them on the left hand, Depart from me,
ye cursed, into everlasting fire, prepared for the devil and his angels:"
(Matthew 25:41)

9. On the positive side. This does not have to be your future. I pray through the reading of this book that you meet the Savior, who holds the future in His Mighty Hand. Remember, the evidence shows that past biblical prophecy has been fulfilled to the letter, as you will see within the pages of this book. That means that tomorrow's prophecy is just as secure, and those who trust in Jesus Christ as the complete payment for their sin, plus nothing, will receive eternal life. Then, you will know who holds your tomorrow. Is the Lord Jesus Christ your Savior?

"For God so loved the world, that he gave his only begotten Son,
that whosoever believeth in him should not perish, but have
everlasting life." (John 3:16)

10. Am I predicting a date for the Rapture? Certainly not! No one can! How can a person predict a date, when God has not given one? Men have succumbed to the Devil's delusion by predicting the date of the Rapture. After their books are sold, they apologize; but, keep the money! Then, there is a movie about a man who visited Hell and came back to talk about it. Also, there is another "fluke" who revealed his son's experience of "going to Heaven," while undergoing surgery; and, of course, published a book about it. Money is the name of the game, Folks!

I am not in the business of playing games for money; and my calling is to preach the Word of God. My prayer is this,

"He which testifieth these things saith, Surely I come quickly. Amen.
Even so, come, Lord Jesus. (Revelation 22:20)

I KNOW WHO HOLDS TOMORROW: LYRICS BY IRA P. STANPHIL

I don't know about tomorrow;
I just live from day to day.
I don't borrow from the sunshine;
For the skies they turn to grey.
And I don't worry for the future;
For I know what Jesus said;
And today I'll walk beside him;
For he knows what lies ahead.

Many things about tomorrow
I don't seem to understand;
But I know who holds tomorrow,
And I know who holds my hand.

I don't know about tomorrow,
It may bring me poverty;
But the One who feeds the sparrow,
Is the One who stands by me.
And the path that is my portion,
May be through the flame or flood;
But His Presence goes before me,
And I'm covered with His blood.

Many things about tomorrow
I don't seem to understand;
But I know who holds tomorrow,
And I know who holds my hand.

By Ira P. Stanphil

I KNOW WHO HOLDS TOMORROW...DO YOU?

I know who holds tomorrow, is a statement that only someone who believes that Christ has made their payment for sin on the Cross, can make with confidence.

"For he hath made him *to be* sin for us, who knew no sin; that we might be made the righteousness of God in him." (2 Corinthians 5:21)

They know there are no rituals, payments, or good works that will earn them entrance to Heaven.

"For by grace are ye saved through faith; and that not of yourselves: *it is* the gift of God: Not of works, lest any man should boast." (Ephesians 2:8-9)

They know there is only one price that will give someone the right to enter Heaven when they leave this Earth; and, that is the price Our Precious Savior paid on Calvary for the sin of the world.

"For God so loved the world, that he gave his only begotten Son, that whosoever believeth in him should not perish, but have everlasting life." (John 3:16)

They know that, even though they may live good lives, they are not perfect.

"For all have sinned, and come short of the glory of God;" (Romans 3:23)

They know that Heaven is a perfect place, and no sin can enter in.

"And there shall in no wise enter into it any thing that defileth, neither *whatsoever* worketh abomination, or *maketh* a lie: but they which are written in the Lamb's book of life." (Revelation 21:27)

They know that when they believed that Jesus died for them, He gave them the righteousness; or perfection, they needed to have everlasting life, right now!

"For he hath made him *to be* sin for us, who knew no sin; that we might be made the righteousness of God in him." (2 Corinthians 5:21)

They can know with absolute assurance they have eternal life...the Bible says so!

"These things have I written unto you that believe on the name of the Son of God; that ye may know that ye have eternal life, and that ye may believe on the name of the Son of God." (1 John 5:13)

They know they "shall never perish," or, stand in danger of going to Hell. Our Lord holds us in the palm of His Almighty Hand. We are not, by our own good works,

struggling to hold on to one of His fingers. The promise is, We “shall never perish,” and “neither shall any man pluck them out of my hand; not, even we, ourselves!

And I give unto them eternal life; and they shall never perish, neither shall any *man* pluck them out of my hand. (V.28) My Father, which gave *them* me, is greater than all; and no *man* is able to pluck *them* out of my Father's hand. (John 10:28-29)

You may know the subject of Bible Prophecy backwards and forwards; but, unless you know the Savior it reveals to us, it is all for nothing!

“...Believe on the Lord Jesus Christ, and thou shalt be saved,...” (Acts 16:31)

Then, you too will... Know Who Holds Tomorrow.



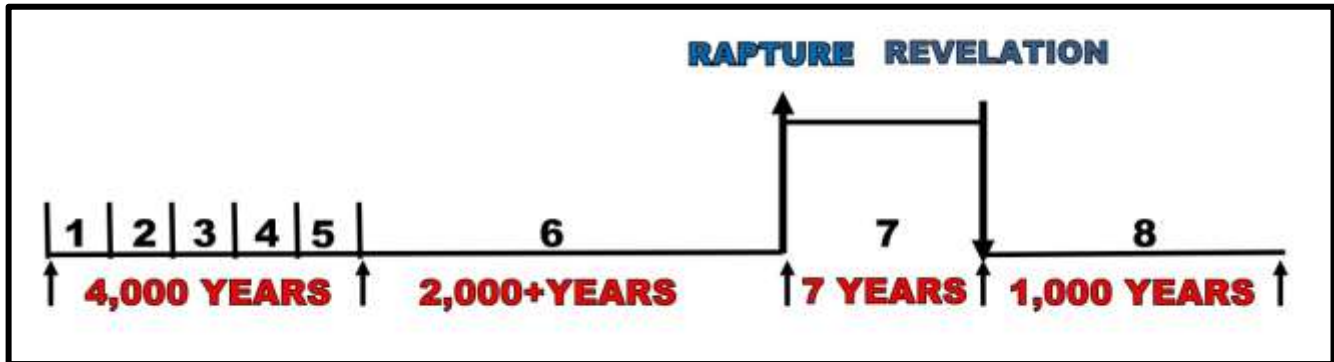
1. Above Is A Detail From the Cover Picture by Artist Duncan Long, Entitled "In His Hand."

SECTION ONE
THE FOUNDATION STONES OF PROPHECY

THE FOUNDATION STONES OF PROPHECY

I. DISPENSATIONS.

Before an architect begins to build, he must first have a strong foundation upon which to build. In the same way, to understand Bible prophecy, you must first have the foundation. One of the stones in the foundation of Bible prophecy is an understanding of the Eight Dispensations. What is a Dispensation, you ask? It is a particular period of time in which God deals with man concerning his sin and responsibility to God. Below is a Diagram outlining the Dispensations.



2. Chart of the Dispensations.

A. Brief Overview of the Dispensations.

First Dispensation: Innocence.

Genesis, Chapters 1-3: From the Creation to the Expulsion. Man's responsibility: was not to eat of the forbidden fruit (Genesis 2:8-9, 16-17). The fruit was all right, only it had God's prohibition against it. The test was to see if man would be obedient to the will of God.

Second Dispensation: Conscience.

Genesis, Chapters 3-8: From the Fall to the Flood. Since man now knew the difference between good and evil, man was to do things right (Genesis 4:7) and to avoid evil. Unfortunately, your conscience will tell you to do right; but, only God's Word can tell you what is right. God made the way of approach to Him by way of the blood sacrifice.

Third Dispensation: Human Government.

Genesis, Chapters 8-11: From the Flood to the Dispersion at the Tower of Babel. Man's responsibility is to govern the Earth (world) (Genesis 9:1-6). Capital punishment is introduced. (Genesis 9:6). When a man slays another man, he kills one who is made in the image of God. This is a direct attack against God.

Fourth Dispensation: Promise.

Genesis, Chapter 11, to Exodus 12:41. From the Call of Abraham to Bondage in Egypt. Man's responsibility was to abide in the land. Genesis 26:1-3: A famine came after obedience to God!

Isaac didn't have to go to Egypt. When God calls or leads, He will provide! It would have been better if he hadn't gone; but, he disobeyed God and went to Egypt. Like many today, he did what his father, Abraham, had done; and looked to the flesh, rather than to God. Abraham should have stayed in the land, too (Genesis 12:10). In going "down" to Egypt (always a type of sin), he brought Hagar back with him, and through her has sprung up the greatest enemy of Israel today—the Mohammedans. "Every time you go to Egypt you will have trouble."

Fifth Dispensation: Law.

Exodus: From the Exodus to the Cross; or, from Sinai to Calvary. (Exodus 19:1-5; Romans 10:5) Man's responsibility was "To render a perfect obedience unto the Law."

Sixth Dispensation: The Church Age of Grace.

Acts and The Epistles: This dispensation extends from the descent of the Holy Spirit on the Day of Pentecost to the ascent of the Holy Spirit when the Church is raptured. "Ye must be born again (i.e., "from above"). (John 1:11-12; John 3:36; Romans 4:5; Galatians 5:6; Ephesians 2:8, 9; Titus 3:5) A sinner cannot come to God alone by depending on some work of righteousness or ritual. He must come by the only WAY, the Lord Jesus Christ.

"Jesus saith unto him, I am the way, the truth, and the life: no man cometh unto the Father, but by me." (John 14:6)

Seventh Dispensation: The Tribulation.

Revelation 6-19; Daniel 9:27; Jeremiah 30:7. Also called "Jacob's Trouble." From the Ascent of the Church at the Rapture to the Descent of Christ at the Second Coming. People will be saved after the Rapture of the Church. All are saved by the precious blood of Christ. (Revelation 7:14; 14:6-7; Ephesians 1:7)

"In whom we have redemption through his blood, the forgiveness of sins, according to the riches of his grace;" (Ephesians 1:7)

Eighth Dispensation: The Kingdom.

Isaiah 2:11. From the descent of Christ to the Great White Throne Judgment. Psalm 2:6-12—means to submit to Him, in His reign (Psalm 86:9; Zechariah 14:16-19).

B. What Future Events Did the Old Testament Prophets See?

Another stone in the Foundation of Prophecy is understanding that the Old Testament prophets did not know about the Church Age, the Dispensation of Grace. They only knew about these seven things:

1. Their Own Day;
2. The 70 Year Captivity;
3. The Restoration;
4. The Coming of Messiah for the First Time;
5. World-wide Dispersion of the Jews;
6. The Tribulation;
7. The Kingdom.

Many of the Prophets lived long after some of the prophecies had already been fulfilled, so they did not foretell all seven. Taking the Prophets as a whole, their prophecies can be divided into these seven divisions. Some prophecies were spoken and recorded by someone else. Another Foundation Stone is the fact that Matthew, Mark, Luke, and John are basically a part of the Old Testament Scriptures. The New Covenant was not made until Christ's Death on the Cross.

C. Israel Is Not The Church, And The Church Is Not Israel.

This might be called a Chief Cornerstone. Israel is not the Church and the Church is not Israel! All that God promised to Israel will come to pass. The confusion of Israel and the Church has led to grievous error, such as Replacement Theology.

D. The Guarantee That Future Prophecy Will Be Fulfilled.

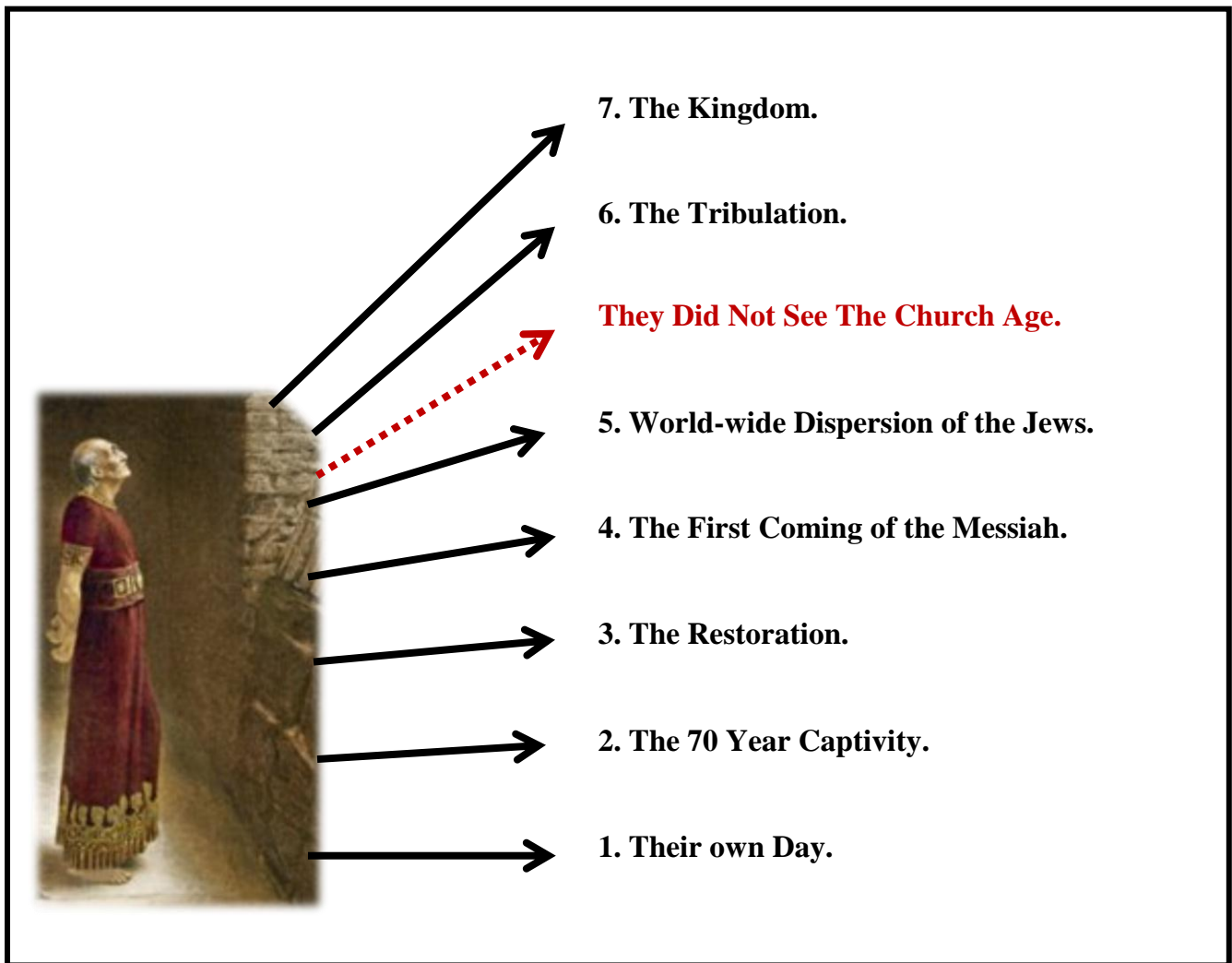
Behold, the former things are come to pass, and new things do I
declare: before they spring forth I tell you of them. Isaiah 42:9

The greatest guarantee that prophecy for the future will be fulfilled, is prophecy already fulfilled in the past that we now regard as History. That is what God's prophecy is. History written in advance. In Daniel, Chapter 2, from the time of King Nebuchadnezzar, there are six world kingdoms predicted: Babylonian, Medo-Persian, Grecian, Roman, Antichrist's World Rule during the Tribulation Period, and the Kingdom; or, the 1,000 Year Reign of our Lord Jesus Christ. Four have come to pass, and two are yet to be fulfilled. The interim between the first four and the last two is the Church Age, which will be ended by the Rapture of the Church.

Most Christians view the Rapture with great anticipation and do not think of it as a judgment. It is a blessing upon the Christians; but, it is also a judgment upon the lost who are left behind to immediately face the horrors of the 7-Year Tribulation Period. The Flood became a blessing to Noah and his family, as they were in the Ark and borne above the waters of judgment which drowned the lost.

The Ark is a picture of our Lord Jesus Christ. Are you in the "Ark of Salvation" this moment? Have you trusted Jesus Christ as your Savior? If so, you will be caught up in the Rapture of the Church, and not left to experience the terrible time coming upon the Earth during the Tribulation.

**CHART: FUTURE EVENTS SEEN BY
THE OLD TESTAMENT PROPHETS.**



II. THE PROPHETIC SCRIPTURES ARE HISTORY WRITTEN IN ADVANCE.

"Behold, the former things are come to pass, and new things do I declare: before they spring forth I tell you of them." (Isaiah 42:9)

A. Nebuchadnezzar's Troubling Dream (Daniel 2:1-13).

In Daniel 2:1, we find that even the most powerful ruler in the world can experience a sleepless night. Nebuchadnezzar, a "King of Kings," one who had power of life and death in his hands alone, was pacing the floor at midnight as any commoner would.

The worst thing about these dreams was that they were "troubling;" as, he could not remember them! This was in God's plan; for, if he remembered the dream and simply repeated it to his "**magicians, astrologers, sorcerers, and Chaldeans,**" they could just make up an "interpretation." If he could not remember it; but, someone could tell the dream *and* give the interpretation; that would be a sign the interpretation was true.

"When a prophet speaketh in the name of the Lord, if the thing follow not, nor come to pass, that is the thing which the Lord hath not spoken, but the prophet hath spoken it presumptuously: thou shalt not be afraid of him." Deuteronomy 18:22

Evidently, since he could not sleep, he decided that his wise men did not need to sleep, either; and they were promptly called from their beds. (2:2) Worse yet than missing sleep, they were informed by King Nebuchadnezzar that if they could not tell him the interpretation of a dream which he could not remember,

"...ye shall be cut in pieces, and your houses shall be made a dunghill." (Daniel 2:5)

What a rude awakening! Failure to interpret would result in catastrophe! When the King threatened that "**ye shall be cut in pieces, and your houses shall be made a dunghill,**" they knew he had the power to do it. We certainly could not give this king the title of "Mr. Nice Guy!"

The wise men tried to "buy a little time,"

"...Let the king tell his servants the dream, and we will shew the interpretation of it." (Daniel 2:7)

But, the wily Nebuchadnezzar had not only become Supreme Ruler because he was descended from a king. He was also wise in the ways of men. (Nebuchadnezzar was the son of Nabopolassar, who reigned from 626 to 605 B.C.) (Butler)

"I know of certainty that ye would gain the time, because ye see the thing is gone from me. (V.8) But if ye will not make known unto me the dream, there is but one decree for you: for ye have prepared lying and corrupt words to speak before me, till the time be changed: therefore tell me the dream, and I shall know that ye can shew me the interpretation thereof." (Daniel 2:8-9)

The wise men, realizing they were in a predicament, made a fatal error and criticized the king.

"There is not a man upon the earth that can shew the king's matter: therefore there is no king, lord, nor ruler, that asked such things at any magician, or astrologer, or Chaldean." (Daniel 2:10)

This infuriated the king who then decided to kill all the wise men, including Daniel and his friends. This was in God's plan all along. He could reveal the king's magicians and astrologers as liars, who only pretended to predict the future. God wanted mankind to know He was in control and He was using a pagan, gentile king to teach His lesson.

God can use any individual to accomplish his means, even a lost person. In the Book of Jeremiah, the Lord referred to Nebuchadnezzar as "my servant" three times (Jeremiah 25:9; 27:6; 43:10). Nebuchadnezzar was the one who had acted as the instrument of God's punishment, in the carrying away of the Nation of Judah to serve their 70 year captivity (which they were now serving).

In Daniel 2:13-15, we find that Arioch, the captain of the king's guard had already arrived to take Daniel. In other words, the executioner was at the door!

"And the decree went forth that the wise men should be slain; and they sought Daniel and his fellows to be slain. (13) Then Daniel answered with counsel and wisdom to Arioch the captain of the king's guard, which was gone forth to slay the wise men of Babylon: (14) He answered and said to Arioch the king's captain, Why is the decree so hasty from the king? Then Arioch made the thing known to Daniel." (Daniel 2:13-15)

After Arioch explains the situation to Daniel, Daniel goes in to the king and...

"...desired of the king that he would give him time, and he would shew the king the interpretation." (Daniel 2:16)

Nebuchadnezzar gave him the time, as Daniel, and the other three captives, were known as being "**ten times better**" in such matters.

"And in all matters of wisdom and understanding, that the king enquired of them (Daniel and his friends), he found them ten times better than all the magicians and astrologers that were in all his realm." (Daniel 1:20)

Then, Daniel, Shadrach, Meshach, and Abednego did the only thing left to do. They convened a prayer meeting, asking God to show mercy and to reveal the dream.

That is a lesson to us today. There is always time to pray, and seeking God's wisdom in a matter should be the first thing we do; and, not the last resort!

God revealed the dream to Daniel in a night vision. (Daniel 2:17-19) In Verses 20-23 we have Daniel's prayer of thanksgiving, which shows his trust in God

"...Blessed be the name of God for ever and ever: for wisdom and might are his: (V.20)

And he changeth the times and the seasons: he removeth kings, and setteth up kings: he giveth wisdom unto the wise, and knowledge to them that know understanding: (V.21)

He revealeth the deep and secret things: he knoweth what is in the darkness, and the light dwelleth with him. (V.22)

I thank thee, and praise thee, O thou God of my fathers, who hast given me wisdom and might, and hast made known unto me now what we desired of thee: for thou hast now made known unto us the king's matter." (Daniel 2:20-23)

In all this, God would have the glory in Nebuchadnezzar's eyes; for, Daniel made it clear to the king that men cannot explain such things; but,

"There is a God in Heaven that revealeth secrets and maketh known to the king Nebuchadnezzar what shall be in the latter days;"..."what shall come to pass hereafter."(Daniel 2:28,29)

In Verse 30, when Daniel returns with the answer, he tells the king that the secret was not revealed to him because he was wiser than anyone else; but, to spare the lives of those who could not do what the king had asked, and that **"...the king might know the thoughts of thy heart."**

In Daniel 2:31-35, he describes the forgotten dream of a great image, or statue. The statue had a head of gold, chest and arms of silver, belly and thighs of brass, legs of iron, and feet of iron and clay. Please see Page 34 for "History Written In Advance," Illustrated by a Large Image: Daniel, Chapter 2."

In this dream, Nebuchadnezzar had a "personal appearance" from the Lord Jesus Christ as **the "stone...cut out without hands."** This showed that when our Savior returns to the Earth at the Second Coming, he will come in His own power as the true **"King of Kings, and Lord of Lords."** As the stone smashed the feet of iron and clay, and caused the whole statue to fall to the ground, and break into pieces, this will be the end of Gentile world power ("the times of the Gentiles") on this Earth. Israel will now have a King! The "Stone," representative of Christ, becomes a great mountain that fills the whole Earth, showing the Millennial Reign is a **WORLD KINGDOM.**

Before Daniel begins the interpretation of the dream, he reminds Nebuchadnezzar who is in charge! He would be nothing if God did not allow it. That is a lesson we all should remember. We are what we are by the Grace of God! (1 Corinthians 15:10)

"And he (God) changeth the times and the seasons: he (God) removeth kings, and setteth up kings: he (God) giveth wisdom unto the wise, and knowledge to them that know understanding:" (Daniel 2:21)

Even though Nebuchadnezzar was a **"king of kings,"** God has him learn that he only has all this power and might because God has given it to him.

"Thou, O king, art a king of kings: for the God of heaven hath given thee a kingdom, power, and strength, and glory."(Daniel 2:37)

B. “History Written In Advance” (Daniel 2:31-45 7:4-8, 19-25).

This prediction was not only for Nebuchadnezzar; but, it is for us today. The reason God gave Nebuchadnezzar a dream he could not remember was that He knew there would be scoffers who would doubt His Word today. (2 Peter 3:3-7) What we read in the Second Chapter of Daniel is “History written in advance.” Four of the world empires, pictured by the statue which Nebuchadnezzar saw in his dream, have come and gone. We can read about them in our History books.

1. Cyrus, A Ruler Named By God 150 Years Before His Birth (Isaiah 44:28;45:3-6).

Further proof that the prophetic Scriptures are History written in advance. Some 2750 years ago, and about 150 years or more, before he was born; God inspired the prophet, Isaiah, to name Cyrus, a ruler of the next world empire to come on the scene, Medo-Persia. Cyrus was King of Persia, and Darius was the King of the Medes.

While Darius has been given many identities by secular “authorities,” God’s Word in Daniel, Chapter 6, addresses him as “King” at least 19 times. Daniel 5:31 tells us that he was “**Darius the Median.**” In Daniel 10:1, Cyrus is called the “**king of Persia.**” Therefore, you have, according to Scripture, Cyrus, King of Persia; and, Darius, King of the Medes.

Returning to the biblical prophecy about Cyrus, given about 150 years, or more, before his birth, God says,

“That saith of Cyrus, *He is my shepherd, and shall perform all my pleasure: even saying to Jerusalem, Thou shalt be built; and to the temple, Thy foundation shall be laid.*” (Isaiah 44:28)

Isaiah was inspired to write this in approximately 712 B.C., when the temple was still standing, and no one in Judah could even comprehend the death and destruction that would begin the 70 years of captivity!

Why did God name Cyrus? Not because he was such a great person; he actually was a pagan, gentile king. Nebuchadnezzar would be the “Punisher,” and Cyrus would be the “Deliverer.” God’s ultimate purpose is so the world would know, even today, “there is no God beside me,” as we find in Isaiah 45:3-6.

“And I will give thee the treasures of darkness, and hidden riches of secret places, that thou mayest know that I, the Lord, WHICH CALL **THEE BY THY NAME**, *am* the God of Israel. (V.3)

For Jacob my servant's sake, and Israel mine elect, I have even CALLED THEE BY THY NAME: I have SURNAMED THEE, though thou hast not known me. (V.4)

I *am* the Lord, and *there is* none else, **THERE IS NO GOD BESIDE ME:** I girded thee, though thou hast not known me: (V.5)

That they may know from the rising of the sun, and from the west, that *there is* none beside me. I **AM THE LORD, AND THERE IS NONE ELSE.**” (Isaiah 45:3-6)

2. The Greek Empire of Alexander, the Great; Named 220 Years Before It Existed.

“And the rough goat *is* the king of Grecia: and the great horn that *is* between his eyes *is* the first king.” (Daniel 8:21)

Approximately 2600 years ago, God, through His Holy Spirit, inspired Daniel to write about Alexander, the Great, some 220 years before he came on the scene. (Daniel 2:32; 7:6; 8:21-22)

3. Roman Empire Predicted In Advance (Daniel 2:33;7:7).

He gave many details about the Roman Empire, which did not come on the world scene until about 27-30 B.C. (2:33;7:7). And so, we see that Daniel was a true prophet by the test of Deuteronomy 18:22,

“When a prophet speaketh in the name of the Lord, if the thing follow not, nor come to pass, that *is* the thing which the Lord hath not spoken, *but* the prophet hath spoken it presumptuously: thou shalt not be afraid of him.” (Deuteronomy 18:22)

Many of the prophecies in the Book of Daniel have “come to pass,” already, and many are for the future; or “the time of the end.” When the bewildered prophet did not understand them, God told him,

“And I heard, but I understood not: then said I, O my Lord, what *shall be* the end of these *things?* (V.8)

And he said, Go thy way, Daniel: for the words *are* closed up and sealed till the time of the end.” (Daniel 12:8,9)

Daniel spent the entire 70-year captivity in Babylon. (Daniel 1:21; Ezra 1:1-2,11)

“And Daniel continued *even* unto THE FIRST YEAR OF KING CYRUS.” (Daniel 1:21)

“NOW IN THE FIRST YEAR OF CYRUS KING OF PERSIA, that the word of the LORD by the mouth of Jeremiah might be fulfilled, the LORD stirred up the spirit of Cyrus king of Persia, that he made a proclamation throughout all his kingdom, and *put it* also in writing, saying, (1)

Thus saith Cyrus king of Persia, The LORD God of heaven hath given me all the kingdoms of the earth; and he hath charged me to build him an house at Jerusalem, which *is* in Judah. (V.2)

All the vessels of gold and of silver *were* five thousand and four hundred. All *these* did Sheshbazzar bring up with *them of* the captivity that were brought up from Babylon unto Jerusalem.” (Ezra 1:1-2, 11)

He was a faithful prophet and twice in the Tenth Chapter of Daniel, the angel bringing his message from God, addresses him as, “...a man greatly beloved.” The student of Bible Prophecy would do well to spend time in this book. As we continue, we will study more of the prophetic Scriptures which the Holy Spirit has inspired Daniel to write

**HISTORY WRITTEN IN ADVANCE
ILLUSTRATED BY A LARGE IMAGE: DANIEL, CHAPTER 2**



ASSYRIA

BABYLON – 612 BC

GOLD



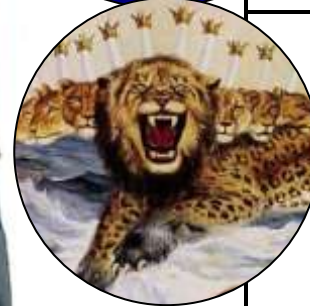
MEDES & PERSIANS - 538 BC

SILVER



GRECIAN EMPIRE – 323 BC

BRASS



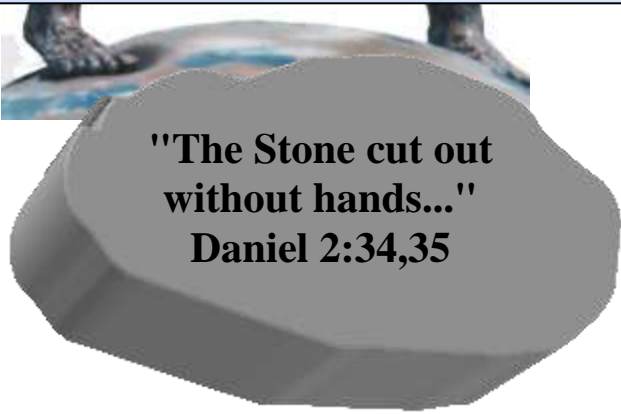
IRON

ROME - 30 BC

"The Iron Legs of Rome"
DIVIDED - 364 AD

↑ THE TIMES OF THE GENTILES ↓

← THE CHURCH AGE – NOT SEEN BY DANIEL →



IRON & CLAY

Tribulation, Daniel's 70th Week

The 1,000 Year Reign of Christ
Revelation 20:1-3

C. The Interpretation of Daniel 2:36-45.

We find the statue pictures five world empires, leading up to the sixth, or the Kingdom Reign of the Lord Jesus Christ. The Feet of the Iron and Clay Empire, and the Great Stone World Empires are yet future. (Daniel also covers this same period of time in his "Beast Vision" of Daniel, Chapters Seven and Eight.) Please refer to "The Beasts Of Daniel, Chapters 7 and 8, and Revelation 13:1-2 Compared." on Page 44.

The statue was made of metals, each decreasing in value; but, increasing in strength. This prophecy, in its totality, gives the "times of the Gentiles;" or, when Israel had no king. In Nebuchadnezzar's time, this statue was looking to the future. Please refer to Diagram entitled "History Written In Advance, Illustrated by a Large Image: Daniel, Chapter 2" found on Page 34.

1. The Head of Gold: Babylonian Kingdom (Daniel 2:32, 37,38;7:4).

Nebuchadnezzar, "**Thou art this head of gold.**" But, don't be proud, even though you are a "**king of kings,**" "**...God hath given thee a kingdom, power, and strength, and glory.**" It does appear the lesson was lost upon Nebuchadnezzar as Chapter Four of Daniel lets us know that God still had to teach him a tough lesson on who was "in charge" in the "**kingdom of men.**" (4:25c)

Nebuchadnezzar had consolidated his world empire and had taken the Jews captive in 606 BC, at which time the prophet Daniel was taken. The Prophet tells us himself that he was there until the "first year of king Cyrus." (1:21)

2. Chest and Arms of Silver: Medo-Persia (Daniel 2:32, 39a; 7:5).

In 538 BC, Daniel was again called in to read Belshazzar's "handwriting on the wall." The sad story of this Babylonian king's fall is written in Daniel 5:25-30. The Medes and Persians came on the scene about 538 BC,

"And after thee shall arise another kingdom inferior to thee..."
(2:39a)

3. Belly and Thighs of Brass: Greece (Daniel 2:32, 39b;7:6).

"And another third kingdom of brass, which shall bear rule over all the earth." (Daniel 2:39b)

This is the world empire of Alexander, the Great; who, supposedly cried as he had conquered all the known world in 323 BC. There were no more kingdoms left to conquer! It is also said that he then consoled himself by looting the Babylonian treasury; and died, 323 B.C., in the city of Babylon. His death, at age 33, was caused by drunkenness and debauchery.

4. Iron Legs of Rome (Daniel 2:33a, 40; 7:7, 15-28).

"And the fourth kingdom shall be strong as iron: forasmuch as iron breaketh in pieces and subdueth all things: and as iron that breaketh all these, shall it break in pieces and bruise." Daniel 2:40

Who has not heard of the Iron Legions of Rome? And the cruelty of Rome when Christians were torn to pieces in the coliseum for sport.

In approximately 27-30 BC begins the period known as the Pax Romana, when Rome ruled all the Mediterranean world. It became a world empire under the rule of Augustus Caesar. In 364 AD, the Roman Empire was permanently divided into the Western Empire of Rome and the Eastern Empire of Constantinople. Rome ran its course and deteriorated away by corruption within and barbaric attacks from without.

America is on the same course today, only it is in a more severe situation. We have the enemy within and have experienced barbaric attacks from within and without. We are corrupt from the top down and have the same cruel attitude toward abortion; and same the value of human life, as the Romans did, when they left unwanted children out on a cold rock to die. Murderers and pedophiles go free after receiving light sentences and are released to kill or harm again. America will be just as slow to learn as King Nebuchadnezzar was, and, sad to say, never will!

(The Church Age; Not Known to Old Testament Prophets)

This is where this prophecy looks both back at History and forward to the future. During the Church Age, it is, "Time-out, Israel." When the Rapture occurs, the Church will be caught up to Heaven (1 Thessalonians 4:13-18); then, our Heavenly "Referee" will blow the whistle again, and Jacob's Trouble; that is the Tribulation Period of seven years will begin.

"Alas! for that day *is* great, so that none *is* like it: IT *IS* EVEN THE TIME OF JACOB'S TROUBLE; but he shall be saved out of it." (Jeremiah 30:7)

5. Feet and Toes; Iron Mixed With Clay (Daniel 2:33b, 34, 41-43;7:19-25).

We look to the future again, with certainty; because we know the first four world kingdoms of the past are now recorded history.

"And whereas thou sawest the feet and toes, part of potters' clay, and part of iron, the kingdom shall be divided; but there shall be in it of the strength of the iron, forasmuch as thou sawest the iron mixed with miry clay. (V.41)

And as the toes of the feet were part of iron, and part of clay, so the kingdom shall be partly strong, and partly broken. (V.42)

And whereas thou sawest iron mixed with miry clay, they shall mingle themselves with the seed of men: but they shall not cleave one to another, even as iron is not mixed with clay. (Daniel 2:41-43)

This is where some who teach prophecy go astray, looking for a "Revived Roman Empire." This is simply the World Federation of "Peaceful" Nations, established by the Antichrist. It is not the European Common Market, Communism, Socialism, Islam, or any other "ism;" but, they may be involved. You cannot teach prophecy from current events. I reiterate. It is a ONE-WORLD government, established by the Antichrist.

The Antichrist is the “**beast out of the sea,**” which refers to a “sea of people,” in Scripture. (Revelation 13:1, and 17:1,15). He rises from the nations, “**the iron mixed with clay,**” coming from the common people to rule with a rod of iron. He is a man indwelt by Satan, the “**Dragon.**” (Revelation 12:9).

“And I stood upon the sand of the sea, and saw a beast (Antichrist) rise up out of the sea, having seven heads and ten horns, and upon his horns ten crowns, and upon his heads the name of blasphemy. (V.1)

And the beast (Antichrist) which I saw was like unto a leopard, and his feet were as *the feet* of a bear, and his mouth as the mouth of a lion: and the dragon (Satan, who indwells him) gave him his power, and his seat, and great authority.” (Revelation 13:1-2)

The "ten toes" of the feet are 10 kings, or rulers, over 10 provinces established by the Antichrist, which continue for the last 3 ½ years of the Tribulation Period.

The Apostle John, looking back through time from Revelation, sees ten horns, representative of kings. "Horns" speak of authority and power. John sees ten kings giving their allegiance to the one-world ruler. These were appointed by the Antichrist.

Daniel, looking forward in time, sees “ten toes,” representative of division; i.e. from one kingdom to ten provinces within the one-world kingdom.

The feet and toes are of mixed iron and potter's clay, brittle and have no strength at all. This is the best that Satan has been able to accomplish. It will crumble when it is smashed by the Savior at His Second Coming, just like the “Stone (the Lord Jesus Christ) cut out without hands” smashed the feet of Nebuchadnezzar's dream statue, and brought the whole statue down. By that, we mean that each kingdom has been destroyed.

“And I saw heaven opened, and behold a white horse; and he (Christ) that sat upon him was called Faithful and True, and in righteousness he (Christ) doth judge and make war.” (Revelation 19:11)

“And out of his (Christ's) mouth goeth a sharp sword, that with it he should smite the nations: and he shall rule them with a rod of iron: and he treadeth the winepress of the fierceness and wrath of Almighty God. (15) And he hath on his vesture and on his thigh a name written, KING OF KINGS, AND LORD OF LORDS.” (Revelation 19:15-16)

The "Times of the Gentiles" are over and Israel's King, the Lord Jesus Christ, their Messiah, has returned to establish His Kingdom.

6. The Kingdom; “The Stone Cut Out Without Hands (Jesus Christ)”(Dan. 2:34-35,44-45).

“And in the days of these (ten) kings shall the God of heaven set up a kingdom, which shall never be destroyed: and the kingdom shall not be left to other people, but IT SHALL BREAK IN PIECES AND CONSUME (crumble or crush) all these kingdoms, AND IT SHALL STAND FOR EVER. (Daniel 2:44)

a. **“...but it shall break in pieces and consume all these kingdoms...”** The Hebrew word for “consume” is “deqaq” and means to “to *crumble* or *crush* :- break to pieces.”

b. **“...and it (Christ’s Kingdom) shall stand for ever...”** The Millennial Reign of Christ here on the Earth, has a predicted duration of 1,000 years. (Revelation 20:1-3) It lasts forever as it is part of the Kingdom of God, which has a duration of **“from everlasting to everlasting.”** (Psalm 90:2). Remember, time begins with man and ends with man.

"Forasmuch as thou sawest that the stone (Christ) was cut out of the mountain without hands, and that it brake in pieces the iron, the brass, the clay, the silver, and the gold; THE GREAT GOD HATH MADE KNOWN TO THE KING WHAT SHALL COME TO PASS HEREAFTER: and the dream is certain, and the interpretation thereof sure." (Daniel 2:45)

These words are saying to us, just as surely as the first four kingdoms are now recorded history, the last two kingdoms are history written in advance.

"The dream is certain and the interpretation thereof sure!"

For ever, O Lord, thy word is settled in heaven. (Psalm 119:89)

III. THE “HANDWRITING ON THE WALL.”

When someone says, I hope they can see the “handwriting on the wall,” it usually means that something bad is on the horizon. This was definitely true for Belshazzar.

20 years pass between Daniel, Chapter 4, and Daniel, Chapter 5. Nebuchadnezzar has passed off the scene (approximately 561B.C.), having been succeeded by a son, who reigned just a few years and then was assassinated by his own brother-in-law. (It seems that being in succession to the throne in those days was a dangerous thing!) The next two rulers occupied the throne for a very brief time; and, the second of those was Nabonidus. He was actually Nebuchadnezzar’s son-in-law and was married to the widow of one of the previous kings.

“Nabonidus was king of the Babylonian empire at this time. According to history, Nabonidus; through his worship of the moon god, Sîn; when the supreme god of the Babylonians was Marduk, created religious tension. That is why he lived throughout 10 of the 17 years that he ruled, at an Arab desert oasis called Tema, which was a vast distance from Babylon. In Babylon he left his son Belshazzar, to rule on his behalf. This explains why Daniel was made **“the third ruler in the kingdom.”** (5:7,29) While the events of Daniel, Chapter Five, are taking place, Nabonidus has been a captive of the Medes and Persians for four months.” (Russell, R.)

A. Belshazzar Is a Type of the Antichrist.

1. He Had No Regard For The Holy Things of The Temple.

Belshazzar has no regard for the Holy Vessels which his grandfather, Nebuchadnezzar had

taken out of the temple. Even though he knows the Medo-Persian “Bear” is at the gates, he has all his confidence in the mighty walls of Babylon.

“The walls of Babylon were legendary, difficult to imagine even in today's world. According to the historian Herodotus they towered more than 300 feet into the sky, close to the height of a 30-story building. Over 200 watchtowers scattered along the entire length of the city wall thrust even further into the air, some as high as 450 feet! Herodotus records that there were actually two walls, with a deep moat between them; any army that breached the first wall would have to attack the second from inside the river. One wall was wide enough to run chariot races four abreast. Because of this incredible wall, the city was considered militarily unconquerable. Babylon straddled the Euphrates river at a location roughly 60 miles southwest of modern-day Baghdad.” (Pytlik)

With a 20-year supply of food and many inside water cisterns, Belshazzar probably believed he could just settle down for a long siege and the attackers will just give up and go away! Therefore, he invites a thousand members of his court to a feast where there would be wine and drinking.

“Archeological records show that the Babylonians had brought their idols inside the city walls, a sign that they were preparing for war... Of all the vessels available from all the conquered nations--why did Belshazzar choose those from God's Temple? It was a public defiance against the God of the Hebrews and the predictions from 150, or so, years earlier that Babylon would be given to Cyrus. Isaiah 44:28-45:1 predicted Cyrus by name, indicating that God would use him to conquer Babylon.” (Pytlik) (Cyrus was the King of the Persians, Darius was King of the Medes, united against Babylon.)

The overconfident Belshazzar foolishly decides to mock God; just as Satan did in Isaiah 14:13 when he boasted, **“I will exalt my throne above the stars of God...”**

“Belshazzar, while he tasted the wine, commanded to bring the golden and silver vessels which his father Nebuchadnezzar had taken out of the temple which *was* in Jerusalem; that the king, and his princes, his wives, and his concubines, might drink therein. (V.2)

Then they brought the golden vessels that were taken out of the temple of the house of God which *was* at Jerusalem; and the king, and his princes, his wives, and his concubines, drank in them.”(Daniel 5:2-3)

2. The Prophet Daniel Warns The Jews About The Antichrist (Daniel 9:27a).

“And he (the Antichrist) shall confirm the covenant with many (the Nation of Israel) for one week (of years):...” (Daniel 9:27a)

The Antichrist, like Belshazzar, has a total disdain for the holy things of God's temple. At first, when he confirms the covenant, he will allow the Jews to rebuild their temple and begin to worship there. Then,

“...and in the MIDST OF THE WEEK he (Antichrist) shall cause the sacrifice and the oblation to cease, and for the overspreading of ABOMINATIONS he shall make *it* DESOLATE,...” (Daniel 9:27b)

Our Lord, Himself, in Matthew 24:15,16, and 21 gives the final warning about the Antichrist’s murderous plans against the Jews. He will seek to kill every Jew he, or his world federation, can get their hands on.

“When (in the midst of the week) ye therefore shall see the abomination of desolation (Antichrist), spoken of by Daniel the prophet, stand in the holy place, (whoso readeth, let him understand:) (V.15) Then let them which be in Judaea flee into the mountains: (V.16)

For then shall be great tribulation, such as was not since the beginning of the world to this time, no, nor ever shall be.” (V.21)

3. The Antichrist Also Hates the Things of God (1 Thessalonians 2:3,4).

“Let no man deceive you by any means: for *that day shall not come*, except there come a falling away first, and that man of sin be revealed, the son of perdition;

Who OPPOSETH and EXALTETH himself above all that is called God, or that is worshipped; so that HE AS GOD SITTETH IN THE TEMPLE OF GOD, shewing himself that he is God.” (2 Thessalonians 2:3-4)

But, like Belshazzar, the Antichrist’s days are numbered. Daniel 7:25 makes it perfectly clear, Satan only has a certain allotted time to wage war upon God’s people.

“And he (Antichrist) shall speak *great* words against the most High, and shall wear out the saints of the most High, and think to change times and laws: and THEY SHALL BE GIVEN INTO HIS HAND UNTIL A TIME AND TIMES AND THE DIVIDING OF TIME.”

We find a similar phrase, “**a time and times and the dividing of time**” in Revelation 12:14, concerning the time when Israel flees from the wrath of the Antichrist.

“And to the woman (Israel) were given two wings of a great eagle, that she might fly into the wilderness, into her place, WHERE SHE IS NOURISHED FOR A TIME, AND TIMES, AND HALF A TIME, from the face of the serpent.”

Revelation 12:6 reveals to us just exactly how long “a time, and times, and half a time” is,

“And the woman (Israel) fled into the wilderness, where she hath a place prepared of God, that they should feed her there a thousand two hundred *and* threescore days.”

1260 days divided by a 30-day prophetic month, divided by 12 months to a year) = 3 ½ years. When the Antichrist breaks his so-called peace covenant with the Jews in the “midst” of the seven years; he has, actually, less than 3 ½ years until his total defeat by our Lord Jesus Christ at the Battle of Armageddon.

So...like Belshazzar, he will go down to defeat, as he has **“been weighed in the balances and found wanting.”** (Daniel 5:27)

B. The Interpretation of The Handwriting On The Wall.

Belshazzar and his guests begin the blasphemy of actually drinking toasts to their idols in the vessels Nebuchadnezzar had carried off in 606 BC. Within the hour, they observe a hand writing of their doom on the banquet room wall. Belshazzar was so frightened **“...so that the joints of his loins were loosed, and his knees smote one against another.”** (Daniel 5:6)

“Now the queen, by reason of the words of the king and his lords, came into the banquet house: and the queen spake and said, O king, live for ever: let not thy thoughts trouble thee, nor let thy countenance be changed:” (Daniel 5:10)

“Forasmuch as an excellent spirit, and knowledge, and understanding, interpreting of dreams, and shewing of hard sentences, and dissolving of doubts, were found in the same Daniel, whom the king named Belteshazzar: now let Daniel be called, and he will shew the interpretation.” (Daniel 5:12)

Again, **“...the astrologers, the Chaldeans, and the soothsayers,”** were consulted; and, again, they fail. The Queen “Mother” comes in and advises them to send for Daniel. Daniel had to be sent for, as he would not have connected himself with a “drunken banquet.”

When he arrives, Belshazzar offers to clothe him in scarlet with a gold chain of authority for his neck, and make him third ruler in the kingdom. Daniel observes the blasphemy and sternly informs the king he may keep his “gifts” and “rewards!” He then preaches Belshazzar, and all in attendance, a sermon,

“But hast lifted up thyself against the Lord of heaven; and they have brought the vessels of his house before thee, and thou, and thy lords, thy wives, and thy concubines, have drunk wine in them; and thou hast praised the gods of silver, and gold, of brass, iron, wood, and stone, which see not, nor hear, nor know: and THE GOD IN WHOSE HAND THY BREATH IS, and whose are all thy ways, hast thou not glorified:” (Daniel 5:23)

“And this is the writing that was written, MENE, MENE, TEKEL, UPHARSIN.” (Daniel 5:25)

You will notice these words are left un-translated in the King James Translation, and this is how the Prophet, Daniel, interpreted them.

“This is the interpretation of the thing: MENE; God hath numbered thy kingdom, and finished it. (V.26)

TEKEL; Thou art weighed in the balances, and art found wanting. (V.27)

PERES; Thy kingdom is divided, and given to the Medes and Persians.” (Daniel 5:26-28)

Belshazzar was as good as his word and made Daniel the “third ruler” in a kingdom that would be ripped from his grasp in a few hours.

“Then commanded Belshazzar, and they clothed Daniel with scarlet, and put a chain of gold about his neck, and made a proclamation concerning him, that he should be the third ruler in the kingdom.”
(Daniel 5:29)

Perhaps Belshazzar thought that if he were kind to Daniel, God would relent; but, it was too late! God will not be mocked! Darius, the Mede, and his armies had diverted the beautiful Euphrates River, and were, at that moment, marching silently into the city, and...

“In that night was Belshazzar the king of the Chaldeans slain.”
(Daniel 5:30)

The Greek Historian Xenophon records that Belshazzar was killed by two of his own noblemen, who had gone over to the Medes and Persians. This is the fulfillment of Daniel 2:39a.

C. MENE, MENE, TEKEL, UPHARSIN.

These words are defined in Gesenius’ Hebrew-Chaldee Lexicon as follows: Mene or “numbered;” Mene, or, “numbered;” Tekel, “weighed,” and Upharsin, meaning “divided.”

Zondervan’s Pictorial Encyclopedia of the Bible, Volume 4, Page 184 gives meaning of “mina, mina, shekel (tekel), and half-shekels (dividing).”

Thus, we have “two coins, one coin, and half-a-coin,” a phrase equal in structure to the phrase “**time, times, and half-a-time,**” is found twice in Daniel (7:25; 12:7), and once in Revelation 12:14. This is “one year,” plus “two years,” plus “half-a-year,” or 3½ years, a period of time equal to the last 3 ½ years of the Tribulation Period; and, which is the *maximum* amount of time the Antichrist will have left to wreak his havoc upon the world until the Lord comes to the Battle of Armageddon! And, we know God has promised those days will be shortened.

“And except those days (the last 3 ½ years) should be shortened, there should no flesh be saved: BUT FOR THE ELECT’S SAKE THOSE DAYS SHALL BE SHORTENED.” (Matthew 24:22)

“The elect” are the saved of Israel. They were not elected to be saved; but, elected because they chose to be saved by trusting Jesus Christ as their Savior; therefore, their Messiah.

Conclusion: No matter what devices Satan uses, his number is up, and he will lose! He will be defeated at the battle of Armageddon, the Beast and False Prophet will be cast alive into the Lake of Fire, and Satan will be chained for a 1,000 years in the Bottomless Pit. (Revelation 20:1,2, and 10). The “handwriting is on the wall!”

“Daniel answered and said, Blessed be the name of God for ever and ever: for wisdom and might are his: (V.20)

And he changeth the times and the seasons: he removeth kings, and setteth up kings: he giveth wisdom unto the wise, and knowledge to

them that know understanding:"(Daniel 2:20-21)

" (God) Hath in these last days spoken unto us by *his* Son, whom he hath appointed heir of all things, by whom also he made the worlds; (V.2)

Who being the brightness of *his* glory, and the express image of his person, and UPHOLDING ALL THINGS BY THE WORD OF HIS POWER, when he had by himself purged our sins, sat down on the right hand of the Majesty on high;" (Hebrews 1:2-3)

If you do not have the certainty that you will go to Heaven when you leave this Earth, your future, like that of Belshazzar and the Antichrist is also predicted. You will be doomed to join them in the Lake of Fire.

"Then shall he say also unto them on the left hand, Depart from me, ye cursed, into everlasting fire, prepared for the devil and his angels;" (Matthew 25:41)

There is no better time than right now to trust Christ as your personal Savior.

"For God so loved the world, that he gave his only begotten Son, that whosoever believeth in him should not perish, but have everlasting life." (John 3:16)

"For he hath made him *to be* sin for us, who knew no sin; that we might be made the righteousness of God in him." (2 Corinthians 5:21)

Then, Dear Christian, let us heed the lesson of the Book of Daniel. As we look at the evil in the world around us, and come to the realization that God really has no reason to bless America anymore; WE MUST MAKE THE WINNING OF SOULS OUR TOP PRIORITY! God says that we should be,

"Redeeming the time, because the days are evil." (Ephesians 5:16)

Our prayer is, "Even so, Come, Lord Jesus." Why? The "handwriting is on the wall!"

Daniel, Chapters 7 and 8, and Revelation 13:1-2 Compared

Daniel,
The
Prophet



Calvary
Future



44

Daniel 2:32

Daniel 7:4
Lion

Babylonian
Empire

Daniel 2:32

Daniel 7:5
Bear

Daniel 8:3.4, 20-22
Ram with Two Horns

Medo-Persian
Empire

Daniel 2:32

Daniel 7:6
Leopard

Daniel 8:5-8
*Goat with
One Horn*

Grecian Empire

Daniel 2:33

Daniel 7:7-12, 19-27
*Terrible Beast With
10 Horns*

Daniel 8:9-14, 23-26
*King of Fierce
Countenance*

Anti-Christ's One
World Government

John,
The
Apostle

The "Beast out of the Sea" that the Apostle John sees in Revelation 13:1,2, embodies all the characteristics of the beasts of Daniel, Chapter 7, only in reverse. He sees them looking back through time.

And I stood upon the sand of the sea, and saw a beast rise up out of the sea, having seven heads and ten horns, and upon his horns ten crowns, and upon his heads the name of blasphemy. And the beast which I saw was like unto a leopard, and his feet were as the feet of a bear, and his mouth as the mouth of a lion: and the dragon gave him his power, and his seat, and great authority. Revelation 13:1-2



Calvary
Past



IV. THE “BEASTS” OF DANIEL, CHAPTER 7 AND DANIEL, CHAPTER 8, EXPLAINED.

Please refer to the Diagram entitled “The Beasts Of Daniel, Chapters 7 and 8, and Revelation 13:1-2 Compared” found on Page 44. The four “great beasts of Daniel, Chapter 7, are “four kings,” corresponding to the four World Empires of Daniel, Chapter 2.

A. The Babylonian Empire of Nebuchadnezzar; A Lion with Wings. (Daniel 7:4)

Pictured right: The Striding Lion of Babylon was made of molded brick with polychrome glaze and appeared along the side of the Processional Way in ancient Babylon in 604-562 B.C. This was a part of the Ishtar Gate of Nebuchadnezzar’s beautiful city. This can now be seen in the Oriental Museum in Chicago, Illinois, and was purchased from a museum in Berlin in 1931. There is also a section in the NEWLY OPENED Museum IN Babylon, Iraq.



6. Detail From Babylon Processional Way.

“The first was like a lion, and had eagle's wings:...” (Daniel 7:4a)

Daniel 7:4b gives a lesson on pride that God had to teach Nebuchadnezzar. (Daniel 4:3-37)

“I beheld till the wings thereof were plucked, and it was lifted up from the earth, and made stand upon the feet as a man, and a man's heart was given to it.” (Daniel 7:4b)

1. “...wings were plucked,...” The humbling of Nebuchadnezzar.
2. “...made stand upon the feet as a man,...” The healing of Nebuchadnezzar. He no longer had the “heart of a beast” and acted like an animal, as he did in his insanity.
3. “...a man’s heart was given to it,...” The humanity of Nebuchadnezzar returned. He realized that God is in charge in the world of mere men. (Daniel 4:35)

This is an example of a prophecy fulfilled in the prophet’s own time.

B. Medo-Persian Empire, Pictured by a Bear; and a Ram With Two Horns (Daniel 7:5).

“And behold another beast, a second, like to a bear, and it raised up itself on one side, and *it had* three ribs in the mouth of it between the teeth of it: and they said thus unto it, Arise, devour much flesh.” (Daniel 7:5)

1. The Bear "...raised itself up on one side,..." (Medo-Persia.)

The bear raised itself on one side showing that it was a combination of the Medes and the Persians, with the Persians being the most powerful. Darius the Mede conquered Babylon when Belshazzar saw "the handwriting on the wall." (Daniel 5:30) Cyrus of Persia followed, bringing more territory into the empire.

Note: Daniel did not give a meaning for the three ribs; but, History tells us, three nations made up the Medo-Persian Empire: Babylonia, Lydia, and Egypt. (Please see the map on the right.)

.....



7. Three Nations Making Up Medo-Persian Empire.

2. (Daniel 8:3,4) The "...ram which had two horns..." (Medo-Persia)

"Then I lifted up mine eyes, and saw, and, behold, there stood before the river a ram which had *two* horns: and the *two* horns *were* high; but one *was* higher than the other, and the higher came up last. (V.3)

I saw the ram pushing west-ward, and northward, and southward; so that no beasts might stand before him, neither *was there any* that could deliver out of his hand; but he did according to his will, and became great." (V.4)

There is no need for a History lesson as the identity of the "ram which had two horns..." is clearly given by inspired Scripture in Daniel 8:20.

"The ram which thou sawest having *two* horns *are* the kings of MEDIA AND PERSIA."

C. The Grecian Empire, Pictured by a Four-Winged, Four-Headed Leopard; and a One-Horned Goat (Daniel 7:6; 8:5-8).

1. (Daniel 7:6) The Four-Winged, Four-Headed Leopard (Grecian Empire).

"After this I beheld, and lo another, like a leopard, which had upon the back of it four wings of a fowl; the beast had also four heads; and dominion was given to it." (Daniel 7:6)

“...upon the back of it four wings of a fowl...” The leopard’s wings picture the swiftness of Alexander the Great’s conquests. In 11 years, from 335 B.C. to 323 B.C., Alexander and his army battled their way across 22,000 miles of the world on foot. He then died in Babylon in 323 B.C. at the age of 33; “during a great feast to celebrate his victory...a victim⁹ of overeating, drunkenness, and malaria...an outstanding example of a man who could conquer the world but could not conquer himself.” (John F. Walvoord)

“...the beast had also four heads...” This proves the accuracy of Daniel’s prophecies. It spells out that there are four; not five, or any other number. History records that after Alexander’s death, his kingdom was divided among four of his generals: Ptolemy received Egypt and its territories, Seleucus controlled Syria, Asia Minor and lands to its east, Lysimachus was given Thrace and its territories; and, Cassander inherited Macedonia and Greece, itself.

2. (Daniel 8:5-8) The Rough He-Goat with One Horn (Grecian Empire).

“And as I was considering, behold, an he goat (Grecian Empire) came from the west on the face of the whole earth, and touched not the ground: and the goat *had* a notable horn between his eyes (Alexander). (V.5)

And he came to the ram that had *two* horns (Medo-Persia), which I had seen standing before the river, and ran unto him in the fury of his power. (V.6)

And I saw him come close unto the ram, and he was moved with choler against him, and smote the ram (Medo-Persia), and brake his two horns: and there was no power in the ram to stand before him, but he cast him down to the ground, and stamped upon him: and there was none that could deliver the ram out of his hand. (V.7)

Therefore the he goat waxed very great: and when he was strong, the great horn (Alexander) was broken; and for it came up four notable ones (his four generals) toward the four winds of heaven.” (Daniel 8:5-8)

Daniel 8:21 provides the identity of this world leader. History always proves the accuracy of prophecy in Scripture; as, it is History written in advance.

“And the rough goat *is* the king of Grecia: and the great horn that *is* between his eyes *is* the first king (Alexander).”

“...the rough goat is the king...” The Hebrew word for “king” is “melek,” and means “a king, royal.” This would be any king of Greece.

“...the great horn that is between his eyes is the first king.” The prophecy is specific. The Hebrew word for “first” is “rishon” and means “first in time, place, or rank.” We know from recorded history that the first ruler of Greece as a world empire was Alexander, the Great.

Daniel 8:22 confirms that the Grecian Empire was divided into four parts.

“Now that being broken, whereas four stood up for it, four kingdoms shall stand up out of the nation, but not in his power.”

Like Daniel, in Daniel 7:19, we would desire to know **“the truth of the fourth beast,”** and **“the king of fierce countenance”** in Daniel 8:23. Here God instructs Daniel that it is for a time...

“...when the transgressors are come to the full,...”

and to...

“...shut thou up the vision; for it *shall be* for many days. (Daniel 8:26)

Therefore, for a complete exposition on the “fourth beast” of Daniel 7:7-12,19-27 and Daniel 8:9-14;23-26, please see Page 223 in this book, “The Antichrist Breaks the Covenant: Star “H.”

The Book of Daniel was written approximately 2600 years ago. This fulfilled prophecy, which is now History, proves that future prophecy will be just as accurate.

“Behold, the former things are come to pass, and new things do I declare: before they spring forth I tell you of them.” (Isaiah 42:9)

SECTION TWO

- I. PROPHECIES FULFILLED BY THE LORD JESUS CHRIST
- II. PROOFS THAT THE GOSPEL WRITERS WROTE INDEPENDENTLY

I. PROPHECIES FULFILLED BY CHRIST

A. The Proposal.

Reach one person out of a world of people by mail. One person can be reached out of approximately 7 Billion people, by five simple steps.

1. By selecting one country out of all the nations of the world.
2. One state – eliminates all the other states.
3. One city – eliminates all the other cities.
4. One house by correct address – all other houses eliminated.
5. Correct name – separates the person from all other individuals.

| B. One Man By Race, Nation, Tribe, Family, Individual. | |
|---|---|
| 1. Shem | One out of three eliminates Ham, Japheth– “God shall enlarge Japheth, and he shall dwell in the tents of Shem; and Canaan shall be his servant.” (Genesis 9:27) |
| 2. Nation | A new nation, Israel. All others eliminated. (Genesis 15:19-21).10 Nations listed in Canaan: Kenites, Kenizzites, Kadmonites, Hittites, Perizzites, Rephaims, Amorites, Canaanites, Girgashites, and Jebusites. |
| 3. Abraham | One man out of all peoples. (Genesis 18:18; Acts 3:25) |
| 4. Isaac (Genesis 17:19; Matthew 1:2) | One son, out of all of Abram’s other children: Ishmael, Zimran, Jokshan, Median, Ishbak, Shuah, Sheba, Dedan. (Genesis 25:1-3) |
| 5. Jacob | One brother out of two, Esau eliminated. (Genesis 28:14 with Luke 3:34) |
| 6. Judah | One tribe out of twelve: Reuben, Simeon, Levi, Dan, Naphtali, Gad, Asher, Issachar, Zebulon, Joseph, and Benjamin. (Genesis 49:10 with Luke 3:33) |

C. Events of Christ's Life.

| | PROPHECY | FULFILLED |
|---------------------------|--|---|
| 1. Place of Birth. | <p>"But thou, Bethlehem Ephratah, though thou be little among the thousands of Judah, yet out of thee shall he come forth unto me that is to be ruler in Israel; whose goings forth have been from of old, from everlasting."(Micah 5:2)</p> | <p>"Now when Jesus was born in Bethlehem of Judaea in the days of Herod the king, behold, there came wise men from the east to Jerusalem,"(Matthew 2:1)</p> |

The Two Bethlehems.

Bethlehem was a small town in Judea. There was a much larger town about 75 miles north, named Bethlehem of Zebulon. The prophecy in Micah was given about 700 years before Christ was born. Only the Omniscient God of Creation could have done this. There were counterfeit prophets and mediums in the Old Testament; and from Christ's time to the present. God called them "wizards" and warned against them. Wizards were those claiming supernatural knowledge. They were demon possessed men who would also act as mediums.

"And when they shall say unto you, Seek unto them that have familiar spirits, and unto wizards that peep, and that mutter: should not a people seek unto their God? for the living to the dead? (V.19)

To the law and to the testimony: if they speak not according to this word, it is because there is no light in them." (Isaiah 8:19-20)

| | PROPHECY | FULFILLED |
|--------------------------------|---|--|
| 2. Time of Birth/Death. | <p>"Know therefore and understand, that from the going forth of the commandment to restore and to build Jerusalem unto the Messiah the Prince shall be seven weeks, and threescore and two weeks: the street shall be built again, and the wall, even in troublous times. (V.25)</p> <p>And after threescore and two weeks shall Messiah be cut off, but not for himself: and the people of the prince that shall come shall destroy the city and the sanctuary; and the end thereof shall be with a flood, and unto the end of the war desolations are determined." (Daniel 9:25-26)</p> | <p>"And it came to pass in those days, that there went out a decree from Caesar Augustus, that all the world should be taxed. (V.1)</p> <p>(And this taxing was first made when Cyrenius was governor of Syria.) (V.2)</p> <p>And all went to be taxed, every one into his own city. (V.3)</p> <p>And Joseph also went up from Galilee, out of the city of Nazareth, into Judaea, unto the city of David, which is called Bethlehem; (because he was of the house and lineage of David:) (V.4)</p> <p>To be taxed with Mary his espoused wife, being great with child. (V.5)</p> <p>And so it was, that, while they were there, the days were accomplished that she should be delivered.</p> |

| | | |
|--|--|--|
| | | (V.6) And she brought forth her firstborn son, and wrapped him in swaddling clothes, and laid him in a manger; because there was no room for them in the inn." (Luke 2:1-7) |
|--|--|--|

Time of Death Predicted (Daniel 9:25,26; Galatians 4:4).

"Know therefore and understand, that from the going forth of the commandment to restore and to build Jerusalem unto the Messiah the Prince shall be seven weeks, and threescore and two weeks: the street shall be built again, and the wall, even in troublous times. (V.25)

And after threescore and two weeks shall Messiah be cut off, but not for himself: and the people of the prince that shall come shall destroy the city and the sanctuary; and the end thereof shall be with a flood, and unto the end of the war desolations are determined." (Daniel 9:25-26)

It should be noted that "weeks" is a mistranslation, as the original is "sevens," indicating "years," not weeks. In Verse 25, the commandment to restore Jerusalem was given in Nehemiah 2:1-8 in the year 445 B.C. In Verse 25 is sixty-nine "sevens," or, 483 years. In Verse 26, there are sixty-two "sevens," or, 434 years. Subtracting the 434 from 483, we know it took 49 years to rebuild the streets and walls of Jerusalem.

Note: The weeks being "sevens," read Genesis 29:18-28 ref. Jacob working for Rachel.

Note: Here is the prophecy and the time that Christ would have been here:

1. 445 B.C. Commandment to Rebuild Jerusalem
2. 33 A.D. Christ Crucified
3. 4 Years Calendar Off
4. 1 Year Difference of Months
5. 483 Yrs.

483 years later Christ would be here and crucified because, **"He came unto his own and his own (Israel) received him not."** (John 1:11) Yes, God had prophesied when Christ, Israel's Messiah would come; had they believed the prophesy in Daniel 9:25,26, they would have known.

"But when the fulness of the time was come, God sent forth his Son, made of a woman, made under the law," (Galatians 4:4)

| | PROPHECY | FULFILLED |
|----------------------------|---|--|
| 3. Flight to Egypt. | "When Israel was a child, then I loved him, and called my son out of Egypt." (Hosea 11:1) | "When he arose, he took the young child and his mother by night, and departed into Egypt: (V.14) |

| | | |
|------------------------------|---|---|
| | | And was there until the death of Herod: that it might be fulfilled which was spoken of the Lord by the prophet, saying, Out of Egypt have I called my son." (Matthew 2:14-15) |
| | PROPHECY | FULFILLED |
| 4. Infants Massacred. | "Thus saith the Lord; A voice was heard in Ramah, lamentation, and bitter weeping; Rachel weeping for her children refused to be comforted for her children, because they were not." (Jeremiah 31:15) | "Then Herod, when he saw that he was mocked of the wise men, was exceeding wroth, and sent forth, and slew all the children that were in Bethlehem, and in all the coasts thereof, from two years old and under, according to the time which he had diligently enquired of the wise men. (V.16) Then was fulfilled that which was spoken by Jeremy the prophet, saying, (V.17) In Rama was there a voice heard, lamentation, and weeping, and great mourning, Rachel weeping for her children, and would not be comforted, because they are not." (Matthew 2:16-18) |

Rachel Weeping For Her Children.

"Thus saith the Lord; A voice was heard in Ramah, lamentation, and bitter weeping; Rachel weeping for her children refused to be comforted for her children, because they were not." Jeremiah 31:15

"The word that came to Jeremiah from the Lord, after that Nebuzaradan the captain of the guard had let him go from Ramah, when he had taken him being bound in chains among all that were carried away captive of Jerusalem and Judah, which were carried away captive unto Babylon." (Jeremiah 40:1)

Note: Rachel was the mother of Joseph and Benjamin, and was buried in the neighborhood of Bethlehem (Genesis 35:19), where her tomb is still shown. She is figuratively represented as rising from the tomb, in a double lament for the loss of her children: (1). First, by the bitter Babylonian Captivity, never to see her children again. (2). And, now by the bloody death of infants, two years old and younger by a madman, named Herod the Great.

| | | |
|----------------------------|--|---|
| | PROPHECY | FULFILLED |
| 5. Jerusalem Entry. | "Rejoice greatly, O daughter of Zion; shout, O daughter of Jerusalem: behold, thy King cometh unto thee: he is just, and having salvation; lowly, and riding upon an ass, and upon a colt the foal of an ass." (Zechariah 9:9) | "On the next day much people that were come to the feast, when they heard that Jesus was coming to Jerusalem, (V.12) Took branches of palm trees, and went forth to meet him, and cried, Hosanna: Blessed is the King of Israel that cometh in the name of the Lord. |

| | | |
|--------------------------------|--|--|
| | | <p>(V.13) And Jesus, when he had found a young ass, sat thereon; as it is written, (V.14) Fear not, daughter of Sion: behold, thy King cometh, sitting on an ass's colt. (V.15) These things understood not his disciples at the first: but when Jesus was glorified, then remembered they that these things were written of him, and that they had done these things unto him." (John 12:12-16)</p> |
| | PROPHECY | FULFILLED |
| 6. Ministry in Galilee. | <p>"Nevertheless the dimness shall not be such as was in her vexation, when at the first he lightly afflicted the land of Zebulon and the land of Naphtali, and afterward did more grievously afflict her by the way of the sea, beyond Jordan, in Galilee of the nations. (V.1) The people that walked in darkness have seen a great light: they that dwell in the land of the shadow of death, upon them hath the light shined." (Isaiah 9:1-2)</p> | <p>"Now when Jesus had heard that John was cast into prison, he departed into Galilee; (V.12) And leaving Nazareth, he came and dwelt in Capernaum, which is upon the sea coast, in the borders of Zabulon and Nephtholim: (13) That it might be fulfilled which was spoken by Esaias the prophet, saying, (V.14) The land of Zebulon, and the land of Nephtholim, by the way of the sea, beyond Jordan, Galilee of the Gentiles; (V.15) The people which sat in darkness saw great light; and to them which sat in the region and shadow of death light is sprung up. (Matthew 4:12-16)</p> |
| | PROPHECY | FULFILLED |
| 7. His Betrayal. | <p>"Yea, mine own familiar friend, in whom I trusted, which did eat of my bread, hath lifted up his heel against me." (Psalm 41:9)</p> | <p>"And Judas Iscariot, one of the twelve, went unto the chief priests, to betray him unto them." (Mark 14:10) "Then one of the twelve, called Judas Iscariot, went unto the chief priests, (V.14) And said unto them, What will ye give me, and I will deliver him unto you? And they covenanted with him for thirty pieces of silver. (V.15) And from that time he sought opportunity to betray him." (Matthew 26:14-16)</p> |

| | PROPHECY | FULFILLED |
|--------------------------------|--|--|
| 8. 30 Pieces of Silver. | "And I said unto them, If ye think good, give me my price; and if not, forbear. So they weighed for my price thirty pieces of silver." (Zechariah 11:12) | "And said unto them, What will ye give me, and I will deliver him unto you? And they covenanted with him for thirty pieces of silver." (Matthew 26:15) |

The Thirty Pieces of Silver Predicted 500 Years Before.

"And I said unto them, If ye think good, give me my price; and if not, forbear. So they weighed for my price thirty pieces of silver."
(Zechariah 11:12)

This prophecy was about 500 years before Christ. I once asked a Math teacher what the percentage was of a person predicting that a certain man would be betrayed and sold out for exactly 30 pieces of silver? His answer was, "There are not enough numbers in the world to estimate this impossibility." He said, "You must be referring to Judas, as only God could do that." No unbeliever has an excuse for not believing God's Word with this supernatural evidence staring him in the face, written some 500 years before it was fulfilled

| | PROPHECY | FULFILLED |
|---|--|---|
| 9. Money for the Potter's Field. | "And the Lord said unto me, Cast it unto the potter: a goodly price that I was prised at of them. And I took the thirty pieces of silver, and cast them to the potter in the house of the Lord." (Zechariah 11:13) | "And the chief priests took the silver pieces, and said, It is not lawful for to put them into the treasury, because it is the price of blood. (V.6) And they took counsel, and bought with them the potter's field, to bury strangers in." (Matthew 27:6-7) |

| | PROPHECY | FULFILLED |
|-----------------------------|---|---|
| 10. False Witnesses. | "False witnesses did rise up; they laid to my charge things that I knew not." (Psalm 35:11) | "But found none: yea, though many false witnesses came, yet found they none. At the last came two false witnesses, (V.60) And said, This fellow said, I am able to destroy the temple of God, and to build it in three days." (Matthew 26:60-61) |

| | PROPHECY | FULFILLED |
|---------------------------------|--|---|
| 11. Silent When Accused. | "He was oppressed, and he was afflicted, yet he opened not his mouth: he is brought as a lamb to the slaughter, and as a sheep before her shearers is dumb, so he openeth not his mouth." (Isaiah 53:7) "But I, as a deaf man, heard not; and I was as a dumb man that openeth not his mouth. | "And said, This fellow said, I am able to destroy the temple of God, and to build it in three days. (V.61) And the high priest arose, and said unto him, Answerest thou nothing? what is it which these witness against thee? (V.62) But Jesus held his peace. And the high priest answered and said unto him, I adjure thee by the living God, that thou tell us whether thou be the |

| | | |
|----------------------------------|---|--|
| | (V.13) Thus I was as a man that heareth not, and in whose mouth are no reproofs." (Psalm 38:13-14) | Christ, the Son of God." (Matthew 26:61-63) "And when he was accused of the chief priests and elders, he answered nothing. (V.12) Then said Pilate unto him, Hearest thou not how many things they witness against thee? (V.13) And he answered him to never a word; inso-much that the governor marvelled greatly." (Matthew 27:12-14) |
| | PROPHECY | FULFILLED |
| 12. Rejected by the Jews. | "He is despised and rejected of men; a man of sorrows, and acquainted with grief: and we hid as it were our faces from him; he was despised, and we esteemed him not." (Isaiah 53:3) "The kings of the earth set themselves, and the rulers take counsel together, against the Lord, and against his anointed, saying, (V.2) Let us break their bands asunder, and cast away their cords from us." (Psalm 2:2-3) | "He came unto his own, and his own received him not." (John 1:11) "I am come in my Father's name, and ye receive me not: if another shall come in his own name, him ye will receive." (John 5:43) "And all they in the synagogue, when they heard these things, were filled with wrath, (V.28) And rose up, and thrust him out of the city, and led him unto the brow of the hill whereon their city was built, that they might cast him down headlong." (Luke 4:28-29) "But first must he suffer many things, and be rejected of this generation." (Luke 17:25) "And they cried out all at once, saying, Away with this man, and release unto us Barabbas:" (Luke 23:18) |
| | PROPHECY | FULFILLED |
| 13. A Prophet. | "The Lord thy God will raise up unto thee a Prophet from the midst of thee, of thy brethren, like unto me; unto him ye shall hearken;" (Deuteronomy 18:15) | "Then those men, when they had seen the miracle that Jesus did, said, This is of a truth that prophet that should come into the world." (John 6:14) "Many of the people therefore, when they heard this saying, said, Of a truth this is the Prophet." (John 7:40) |

Christ Recognized As a Prophet; 1400 Years Before His Birth.

This prophecy was given to Moses to give to all Israel approximately 1450 B.C. No human being could predict a future event such as this. Only our Omniscient God would predict that Jesus Christ of Jewish flesh would be recognized as a prophet over 1400 years before he was born. With this kind of evidence to be rejected by unbelievers; they are described by God in Titus 1:15. Their final destiny is also given in Revelation 21:8.

"Unto the pure all things are pure: but unto them that are defiled and unbelieving is nothing pure; but even their mind and conscience is defiled." (Titus 1:15)

"But the fearful, and unbelieving, and the abominable, and murderers, and whoremongers, and sorcerers, and idolaters, and all liars, shall have their part in the lake which burneth with fire and brimstone: which is the second death." (Revelation 21:8)

| | PROPHECY | FULFILLED |
|----------------------|---|--|
| 14. A Priest. | <p style="text-align: center;">"The Lord hath sworn, and will not repent, Thou art a priest for ever after the order of Melchizedek." (Psalm 110:4)</p> | <p style="text-align: center;">"Whither the forerunner is for us entered, even Jesus, made an high priest for ever after the order of Melchisedec." (Hebrews 6:20)</p> <p style="text-align: center;">So also Christ glorified not himself to be made an high priest; but he that said unto him, Thou art my Son, to day have I begotten thee. (V.5) As he saith also in another place, Thou art a priest for ever after the order of Melchisedec." (Hebrews 5:5-6)</p> <p style="text-align: center;">And it is yet far more evident: for that after the similitude of Melchisedec there ariseth another priest, (V.15) Who is made, not after the law of a carnal commandment, but after the power of an endless life. (V.16) For he testifieth, Thou art a priest for ever after the order of Melchisedec." (Hebrews 7:15-17)</p> |

D. Explanation of Isaiah 53:4,5.

"Surely he hath borne our griefs, and carried our sorrows: yet we did esteem him stricken, smitten of God, and afflicted. (V.4)

But he was wounded for our transgressions, he was bruised for our iniquities: the chastisement of our peace was upon him; and with his stripes we are healed." (V.5)

These verses are used by our phony faith healers today. Reference Verse 4, they state that “griefs” should be translated “sicknesses,” and “sorrows” is in reference to “diseases. In other words, all sickness and disease are covered in the atonement. Therefore, if we have faith, all can be healed. I have books written by Oral Roberts, and many more from men like him. You and I have seen these men perform their acts on TV. They thump the person on the forehead, they fall back, sometimes on the floor; and, are declared to be healed! Of course, this indicates to the viewers that the power of God flows through the great healer onto the person healed. The only problem is, it contradicts Scripture.

Oral Roberts is dead. Evidently, what he preached didn’t work for him!

a. Isaiah 53:4 Is Physical Healing.

Isaiah 53:4 is a prophecy concerning Christ and was fulfilled by Christ; NOT, these false imitators of Christ.

“And when Jesus was come into Peter's house, he saw his wife's mother laid, and sick of a fever. (V.14)

And he touched her hand, and the fever left her: and she arose, and ministered unto them. (V.15)

When the even was come, they brought unto him many that were possessed with devils: and he cast out the spirits with his word, and healed all that were sick: (V.16)

“That it might be FULFILLED which was spoken by Esaias the prophet, saying, Himself took our infirmities, and bare our sicknesses.” (Matthew 8:14-17)

b. Isaiah 53:5,6 Is Spiritual Healing.

“Who his own self bare our sins in his own body on the tree, that we, being dead to sins, should live unto righteousness: by whose stripes ye were healed.” (1 Peter 2:24)

“For he hath made him to be sin for us, who knew no sin; that we might be made the righteousness of God in him.” (2 Corinthians 5:21)

Note: For a refutation of the Pentecostal teaching, get our book *Face to Face with Tongues*.

| E. Treatment and Crucifixion. | | |
|--------------------------------------|---|---|
| | PROPHECY | FULFILLED |
| 1. Smitten and Spat Upon. | “But he was wounded for our transgressions, he was bruised for our iniquities: the chastisement of our peace was upon him; and with his stripes we are healed.” (Isaiah 53:5) | “And some began to spit on him, and to cover his face, and to buffet him, and to say unto him, Prophecy: and the servants did strike him with the palms of their hands.” (Mark 14:65) |

| | | |
|----------------------------------|--|---|
| | | <p>Then Pilate therefore took Jesus, and scourged him. (V.1)</p> <p>And the soldiers platted a crown of thorns, and put it on his head, and they put on him a purple robe, (V.2)</p> <p>And said, Hail, King of the Jews! and they smote him with their hands. John 19:1-3</p> <p>"And when he had thus spoken, one of the officers which stood by struck Jesus with the palm of his hand, saying, Answerest thou the high priest so?" (John 18:22)</p> |
| | PROPHECY | FULFILLED |
| 2. Hated Without a Cause. | <p>"They that hate me without a cause are more than the hairs of mine head: they that would destroy me, being mine enemies wrongfully, are mighty: then I restored that which I took not away." (Psalm 69:4)</p> <p>'They compassed me about also with words of hatred; and fought against me without a cause. (V.3)</p> <p>For my love they are my adversaries: but I give myself unto prayer. (V.4)</p> <p>And they have rewarded me evil for good, and hatred for my love." (Psalm 109:3-5)</p> | <p>"He that hateth me hateth my Father also. (V.23)</p> <p>If I had not done among them the works which none other man did, they had not had sin: but now have they both seen and hated both me and my Father. (V.42)</p> <p>But this cometh to pass, that the word might be fulfilled that is written in their law, They hated me without a cause." (John 15:23-25)</p> |
| | PROPHECY | FULFILLED |
| 3. Vicariously Suffered. | <p>"Surely he hath borne our griefs, and carried our sorrows: yet we did esteem him stricken, smitten of God, and afflicted. (V.4) But he was wounded for our transgressions, he was bruised for our iniquities: the chastisement of our peace was upon him; and with his stripes we are healed." (Isaiah 53:4-5)</p> | <p>"When the even was come, they brought unto him many that were possessed with devils: and he cast out the spirits with his word, and healed all that were sick: (V.16)</p> <p>That it might be fulfilled which was spoken by Esaias the prophet, saying, Himself took our infirmities, and bare our sicknesses." Matthew 8:16-17</p> <p>"Who was delivered for our offences, and was raised again for our justification." (Romans 4:25)</p> <p>"For I delivered unto you first of all that which I also received, how that Christ died for our sins according to the scriptures;" (1 Cor. 15:3)</p> |

| | PROPHECY | FULFILLED |
|-------------------------------------|---|---|
| 4. Crucified With Sinners. | <p>"Therefore will I divide him a portion with the great, and he shall divide the spoil with the strong; because he hath poured out his soul unto death: and he was numbered with the transgressors; and he bare the sin of many, and made intercession for the transgressors." (Isaiah 53:12)</p> | <p>"Then were there two thieves crucified with him, one on the right hand, and another on the left." (Matthew 27:38)</p> |
| | PROPHECY | FULFILLED |
| 5. Hands & Feet Pierced. | <p>"For dogs have compassed me: the assembly of the wicked have inclosed me: they pierced my hands and my feet." (Psalm 22:16)</p> <p>"And I will pour upon the house of David, and upon the inhabitants of Jerusalem, the spirit of grace and of supplications: and they shall look upon me whom they have pierced, and they shall mourn for him, as one mourneth for his only son, and shall be in bitterness for him, as one that is in bitterness for his firstborn." (Zechariah 12:10)</p> | <p>"The other disciples therefore said unto him, We have seen the Lord. But he said unto them, Except I shall see in his hands the print of the nails, and put my finger into the print of the nails, and thrust my hand into his side, I will not believe. (V.25)</p> <p>And after eight days again his disciples were within, and Thomas with them: then came Jesus, the doors being shut, and stood in the midst, and said, Peace be unto you." (John 20:25-26)</p> |
| | PROPHECY | FULFILLED |
| 6. Mocked & Insulted. | <p>"But I am a worm, and no man; a reproach of men, and despised of the people. (V.6)</p> <p>All they that see me laugh me to scorn: they shoot out the lip, they shake the head, saying, (V.7)</p> <p>He trusted on the Lord that he would deliver him: let him deliver him, seeing he delighted in him." (Psalm 22:6-8)</p> | <p>"And they that passed by reviled him, wagging their heads, (V.39)</p> <p>And saying, Thou that destroyest the temple, and buildest it in three days, save thyself. If thou be the Son of God, come down from the cross. (V.40)</p> <p>Likewise also the chief priests mocking him, with the scribes and elders, said, (V.41)</p> <p>He saved others; himself he cannot save. If he be the King of Israel, let him now come down from the cross, and we will believe him." (Matthew 27:39-42)</p> |
| | PROPHECY | FULFILLED |
| 7. Gall and Vinegar. | <p>"They gave me also gall for my meat; and in my thirst they gave me vinegar to drink." (Psalm 69:21)</p> | <p>"Now there was set a vessel full of vinegar: and they filled a sponge with vinegar, and put it upon hyssop, and put it to his mouth." (John 19:29)</p> |

| | PROPHECY | FULFILLED |
|--|---|---|
| 8. Hears Prophetic Words Repeated in Mockery. | "He trusted on the Lord that he would deliver him: let him deliver him, seeing he delighted in him." (Psalm 22:8) | "He trusted in God; let him deliver him now, if he will have him: for he said, I am the Son of God." (Matthew 27:43) |
| | PROPHECY | FULFILLED |
| 9. His Side Pierced. | "And I will pour upon the house of David, and upon the inhabitants of Jerusalem, the spirit of grace and of supplications: and they shall look upon me whom they have pierced, and they shall mourn for him, as one mourneth for his only son, and shall be in bitterness for him, as one that is in bitterness for his firstborn." (Zechariah 12:10) | "But one of the soldiers with a spear pierced his side, and forthwith came there out blood and water." (John 19:34) |
| | PROPHECY | FULFILLED |
| 10. Cast Lots for Clothing. | "They part my garments among them, and cast lots upon my vesture." (Psalm 22:18) | "And when they had crucified him, they parted his garments, casting lots upon them, what every man should take." (Mark 15:24) "They said therefore among themselves, Let us not rend it, but cast lots for it, whose it shall be: that the scripture might be fulfilled, which saith, They parted my raiment among them, and for my vesture they did cast lots. These things therefore the soldiers did." (John 19:24) |
| | PROPHECY | FULFILLED |
| 11. No Bones Broken. | "He keepeth all his bones: not one of them is broken." (Psalm 34:20) | "But when they came to Jesus, and saw that he was dead already, they brake not his legs:" (John 19:33) "For these things were done, that the scripture should be fulfilled, A bone of him shall not be broken." (John 19:36) |

| | PROPHECY | FULFILLED |
|----------------------------------|---|---|
| 12. Buried With the Rich. | <p>“And he made his grave with the wicked, and with the rich in his death; because he had done no violence, neither was any deceit in his mouth.”(Isaiah 53:9)</p> | <p>“When the even was come, there came a rich man of Arimathaea, named Joseph, who also himself was Jesus' disciple: (V.57)</p> <p>He went to Pilate, and begged the body of Jesus. Then Pilate commanded the body to be delivered. (V.58)</p> <p>And when Joseph had taken the body, he wrapped it in a clean linen cloth, (V.59)</p> <p>And laid it in his own new tomb, which he had hewn out in the rock: and he rolled a great stone to the door of the sepulchre, and departed.” (Matthew 27:57-60)</p> |
| | PROPHECY | FULFILLED |
| 13. His Ascension. | <p>“Thou hast ascended on high, thou hast led captivity captive: thou hast received gifts for men; yea, for the rebellious also, that the Lord God might dwell among them.” (Psalm 68:18)</p> | <p>“And he led them out as far as to Bethany, and he lifted up his hands, and blessed them. (V.50)</p> <p>And it came to pass, while he blessed them, he was parted from them, and carried up into heaven.” (Luke 24:50-51)</p> <p>“And when he had spoken these things, while they beheld, he was taken up; and a cloud received him out of their sight. (V.9)</p> <p>And while they looked stedfastly toward heaven as he went up, behold, two men stood by them in white apparel; (V.10)</p> <p>Which also said, Ye men of Galilee, why stand ye gazing up into heaven? this same Jesus, which is taken up from you into heaven, shall so come in like manner as ye have seen him go into heaven.” (Acts 1:9-11)</p> <p>“Wherefore he saith, When he ascended up on high, he led captivity captive, and gave gifts unto men. (V.8)</p> <p>(Now that he ascended, what is it but that he also descended first into the lower parts of the earth? (V.9)</p> <p>He that descended is the same</p> |

| | | |
|--|--|---|
| | | also that ascended up far above all heavens, that he might fill all things.)" (Ephesians 4:8-10) |
|--|--|---|

| F. The Royal Blood Line of Christ Bypasses the Curse on Jeconiah's Line. | |
|---|---|
| Matthew's Gospel | Abraham → David → Solomon → CONIAH → Joseph. |
| | <p>In 2 Samuel 7:8-17 and Psalm 89:3,4, we have the Davidic Covenant given.</p> <p>"And thine (David's) house and thy kingdom (David's) shall be established for ever before thee: thy throne (David's) shall be established for ever." (2 Samuel 7:16)</p> <p>"I have made a covenant with my chosen, I have sworn unto David my servant, (V.3) Thy seed (David's) will I establish for ever, and build up thy throne (David's) to all generations. Selah." (Psalm 89:3-4)</p> <p>Scripture tells us that a curse was placed upon the line of Coniah; which is given in Jeremiah 22:28-30.</p> <p>"Is this man Coniah a despised broken idol? is he a vessel wherein is no pleasure? wherefore are they cast out, he and his seed, and are cast into a land which they know not? (V.28)</p> <p>O earth, earth, earth, hear the word of the Lord. (V.29)</p> <p>Thus saith the Lord, Write ye this man childless, a man that shall not prosper in his days: FOR NO MAN OF HIS SEED SHALL PROSPER, SITTING UPON THE THRONE OF DAVID, AND RULING ANY MORE IN JUDAH." (V.30)</p> <p>No one through this line could inherit the throne. Coniah is also called Jeconiah. He was the next-to-last king of Judah, and reigned in Jerusalem 3 months and 10 days. (2 Chronicles 36:9)</p> |

| Luke's Gospel. | Adam → Abraham → David → NATHAN → Heli → Mary → Jesus |
|-----------------------|---|
| | <p>Now, if God did not set up David's throne forever, then He has broken the Covenant and His Word would not be true. Satan would then have defeated God.</p> <p>1 Chronicles 3:5 tells us,</p> |

“And these were born unto him (David) in Jerusalem; Shimea, and Shobab, and NATHAN, and Solomon, four, of Bathshua the daughter of Ammiel:” (1 Chronicles 3:5)

Notice that Nathan was an older son of David; therefore, having the rights to the throne. If Christ had been the natural son of Joseph, who descended from Jeconiah, he could never sit upon the throne reigning as king, because of the curse. However, Christ came through Mary’s line, and Nathan’s; giving Christ the legal right to inherit the throne as the adopted son of Joseph. He, therefore, bypassed the curse in Jeremiah. In Genesis 3:15, Christ was prophesied to be born of the “Seed of the Woman,” which was Mary.

“And I will put enmity between thee (Satan) and the woman (Mary), and between thy seed (Satan) and her seed (Christ); it shall bruise thy head, and thou shalt bruise his heel.” (Genesis 3:15)

In the sight of the Law, Jesus was a son of Joseph. Jesus had legal rights to the Throne of David through Joseph; but, not the rights of blood kin upon which the curse stood. His blood rights came through Mary, Nathan, and David. Jesus was the only one that could be of the family of Solomon, legally; and then, not be of the same by blood.

No one but the Lord Jesus Christ could ever fulfill all of these prophecies. God has given us an overwhelming amount of evidence; so that no one is with excuse. What an assurance to support our faith that Christ is the Messiah and Savior.

II. PROOFS THAT THE GOSPEL WRITERS WROTE INDEPENDENTLY

I have inserted the following to silence the philosophy of the atheists, unbelievers, and enemies of God who seek a following. They claim that these writers copied from each other in order to deceive you. The verses listed under each Gospel do not appear in any other Gospel.

The Scriptures:

"For we have not followed cunningly devised fables, when we made known unto you the power and coming of our Lord Jesus Christ, but were eyewitnesses of his majesty. (V.16)

For he received from God the Father honour and glory, when there came such a voice to him from the excellent glory, This is my beloved Son, in whom I am well pleased. (V.17).

And this voice which came from heaven we heard, when we were with him in the holy mount."(2 Peter 1:16-18)

"For this cause also thank we God without ceasing, because, when ye received the word of God which ye heard of us, ye received it not as the word of men, but as it is in truth, the word of God, which effectually worketh also in you that believe." (1 Thessalonians 2:13)

"All scripture is given by inspiration of God, and is profitable for doctrine, for reproof, for correction, for instruction in righteousness:" (2 Timothy 3:16)

"Knowing this first, that no prophecy of the scripture is of any private interpretation. (V.20)

For the prophecy came not in old time by the will of man: but holy men of God spake as they were moved by the Holy Ghost." (2 Peter 1:20,21)

Also see Acts 1:1-4 and Luke 1:1-4, (Verse 3 is "**from above.**")

A. The Gospel of Matthew.

1. 1:18-25 An Angel Appears to Joseph.
2. 2:1-12 Visit of the Wise Men.
3. 2:13-15 Flight to Egypt.
4. 2:19-23 Return to Nazareth.
5. 13:44 Parable of Hidden Treasure.
6. 13:45,46 Parable of the Goodly Pearl.
7. 13:47-51 Parable of the Draw Net.
8. 9:27-34 The Blind and Dumb Man Healed.
9. 18:23-35 Parable of the Unmerciful Servant.
10. 25:1-13 Parable of the Ten Virgins.
11. 25:14-30 Parable of the Ten Talents.
12. 25:31-46 Discourse on the Judgment Day.

- | | | |
|-----|----------|----------------------------------|
| 13. | 27:19 | The Appeal of Pilate's Wife. |
| 14. | 27:24 | Pilate washes his hands. |
| 15. | 28:2-4 | The Earthquake. |
| 16. | 28:11-15 | The Report of the Watch. |
| 17. | 20:1-16 | Parable of Laborers in Vineyard. |
| 18. | 21:14 | The Healing in the Temple. |
| 19. | 21:28-32 | Parable of Two Sons. |

B. The Gospel of Mark.

- | | | |
|----|----------------|---|
| 1. | 8:22-26 | Blind Men Healed at Bethsaida. |
| 2. | 11:12-14,20-21 | with Matthew 21:18-20. (Vss. 20-21, Not in Matthew) |

C. The Gospel of Luke.

- | | | |
|-----|----------|---|
| 1. | 1:5-22 | Gabriel appears to Zacharias. |
| 2. | 1:39-56 | Mary Visits Elizabeth. |
| 3. | 1:57-80 | The Birth of John, the Baptist. |
| 4. | 1:26-38 | Annunciation to Mary. |
| 5. | 2:41-50 | Christ Visits the Temple When Twelve. |
| 6. | 4:16-27 | Christ's Discourse at Nazareth. |
| 7. | 4:28-30 | Christ Rejected at Nazareth. |
| 8. | 7:11 | Christ at Nain. |
| 9. | 7:12-16 | The Widow's Son Raised To Life. |
| 10. | 7:36-48 | The Discourteous Pharisees and the Anointing. |
| 11. | 7:41-43 | Parable of the Two Debtors. |
| 12. | 8:1-3 | The Tour in Galilee. |
| 13. | 10:1-16 | Seventy Sent Forth. |
| 14. | 9:51-56 | Rejection by the Samaritans. |
| 15. | 17:11-19 | Healing of the Ten Lepers. |
| 16. | 10:25-37 | Parable of the Good Samaritan. |
| 17. | 10:38-42 | At the Home of Martha and Martha. |
| 18. | 11:5-13 | Parable of the Friend at Midnight. |
| 19. | 10:17-24 | The Seventy Return. |
| 20. | 18:9-14 | Pharisee and the Publican. |
| 21. | 22:50,51 | Healing of Malchus' ear. |
| 22. | 23:39-43 | Dying Thief's Confession. |
| 23. | 24:34 | Christ's Appearance to Peter. |

D. The Gospel of John

- | | | |
|----|---------|------------------------------------|
| 1. | 1:19-36 | The Testimony of John the Baptist. |
| 2. | 1:35-49 | Five Disciples Enrolled. |
| 3. | 2:1-11 | First Miracle: Water to Wine. |
| 4. | 2:13-25 | First Passover. |
| 5. | 2:13-17 | Temple Cleansed. |
| 6. | 3:1-21 | Discourse on the New Birth. |
| 7. | 3:22 | The Early Judean Ministry. |

| | | |
|------|----------|--|
| 8. | 4:4-26 | The Water of Life and the Samaritan Woman. |
| 9. | 4:28-42 | The Revival in Samaria. |
| 10. | 5:1 | Second Passover. |
| 11. | 5:2-9 | Impotent Man at the Pool Healed. |
| 12. | 5:17-47 | Discourse on His Divinity. |
| 13. | 6:25-59 | Discourse on the Bread of Life. |
| 14. | 6:60-66 | Some of the Disciples Defect. |
| 15.. | 7:10-53 | Teaching at the Feast of Tabernacles. |
| 16. | 8:1-11 | The Adulterous Woman. |
| 17. | 8:15-58 | Discourse on Fatherhood. |
| 18. | 11:1-46 | The Raising of Lazarus. |
| 19. | 11:54 | The Retirement to the City of Ephraim. |
| 20. | 12:20-36 | The Visit of the Greeks. |
| 21. | 12:37-50 | Discourse on Unbelief. |
| 22. | 13:1-17 | Washing the Disciple's Feet. |
| 23. | 14:1-31 | Jesus' Parting Words. |
| 24. | 15:1-11 | Parable of the True Vine. |
| 25. | 16:7-15 | The Promise of the Holy Spirit. |
| 26. | 17:1-26 | The Intercessory Prayer. |
| 27. | 20:2 | Mary finds the tomb empty. |
| 28. | 21:6 | The Miracle of the Draught of Fishes. |
| 29. | 14:2,3 | "Many Mansions" and "Coming Again." |

E. An Example; The Anointing of the Savior's Head and Feet.

1. Some of the Gospels give the same event: but occasionally give additional information. For example: John 12:3 where Mary anointed the feet of Jesus: but mentions nothing about Mary pouring the ointment on the head of Christ. In Mark 14:3 is recorded the same event: which gives the additional information about the woman using the ointment to anoint Christ's head. There is no contradiction: only additional information. Notice in the same account of this, the following:

Mark records it took place in the house of Simon, the Leper (v.3). (Not stated by John.)

a. Mark states the ointment was in an alabaster box (v. 3). (Not stated by John).

b. Mark, in verse 3, records she broke the box: but John says nothing of it.

c. Mark 14:4 is interesting: as Mark records that some said "**Why was this waste of ointment made?**" John does not record it.

2. Now, let us see what John records that Mark does not.

a. In John 12:3 it is recorded that Mary took a pound of ointment. Not recorded in Mark.

b. John 12:3 records that the "**house was filled with the odour of the ointment.**" Not recorded in Mark

c. John, in Verses 4:5, mentions Judas Iscariot as objecting to what Mary was doing. Mark doesn't mention Judas Iscariot.

d. John records in Verse 6 that Judas was Simon's son, which Mark does not mention; and on and on we could go!

3. Now...back to the anointing of the feet as recorded by Mark and the anointing of the head as John records. Both are correct. This is verified by Christ, Himself, in Mark 14:8 when Christ states:

"She is come aforehand to anoint my body to the burying."

The body would include both the head and feet; would it not?

The records of Mark and John contain no contradictions; but, only a composite of the facts and information that God wanted us to know. As we are told in 2 Timothy 3:16, the Holy Spirit inspired both as to what to record with their pens as:

"All Scripture is given by the inspiration of God:"

This is why the Four Gospels were written; to give us a complete composite of facts surrounding our Wonderful Savior, the Lord Jesus Christ; and to silence the skeptics and infidels.

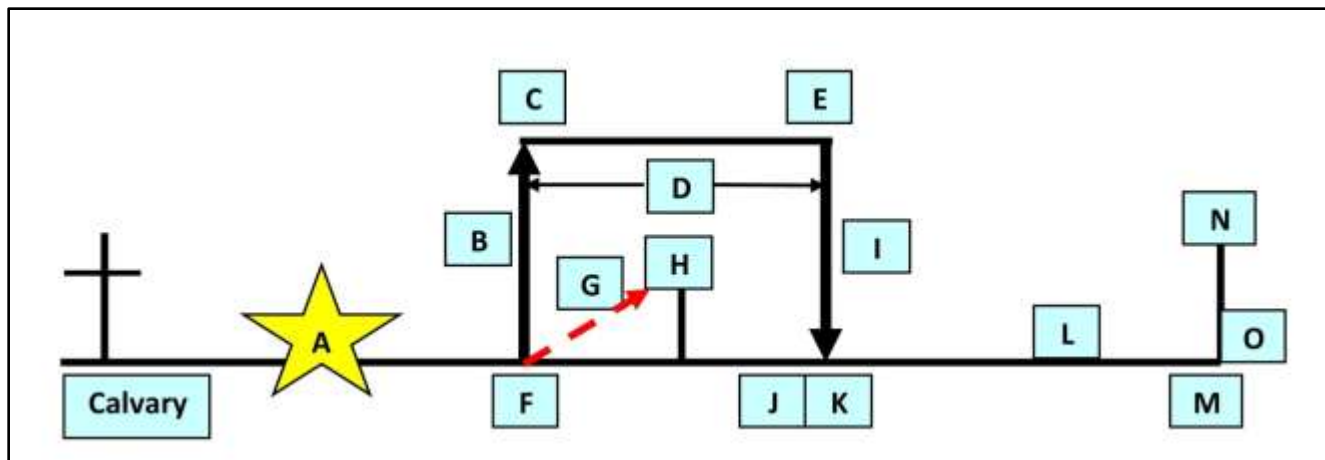
SECTION THREE
“HAT DIAGRAM” OUTLINE WITH SUBSECTIONS

I. ABOUT THIS SECTION

This section of the book is laid out following the diagram below, sometimes referred to as the “Hat Diagram.” This diagram is actually a timeline of prophetic events, yet future.

Each Chapter has the same diagram at the top with a yellow star in reference to the topic that is being written about. The first chapter would be thus, “A. The Church Age” and the letter “A” would be in the yellow star. (As seen below.) In each chapter following, the star will move ahead one letter. There are subsections in each chapter designated by I, II, III, etc.

To understand this part of the book, do as did the Wise Men of old, look for the star.



8. Timeline or the "Hat Diagram"

THE “HAT DIAGRAM” OUTLINE

A. Church Age.

1. The Building (Ephesians 2:19-22).
2. The Bride (Revelation 19:7,8).
3. The Church (Ecclesia, Assembly) (Ephesians 5:25).

B. Rapture (1 Thessalonians 4:13-18; 1 Corinthians 15:50).

C. Judgment Seat of Christ (2 Corinthians 5:10; 1 Corinthians 3:11-15).

D. Seven-year Tribulation Period (Daniel 9:25-27).

E. Marriage Supper of the Lamb (Revelation 19:7-9).

F. First Battle of Gog & Magog (Ezekiel, Chapters 38 and 39).

G. Antichrist's Rise To Power (Daniel 11:21 & 32; Daniel 8:23).

H. Antichrist Breaks His Covenant with Israel.

1. The Abomination of Desolation spoken of in Daniel 9:27 and Matthew 24:15-20.
2. Start of the Great Tribulation – The Last 3 ½ Years (Matthew 24:21,22).
3. Antichrist Declares Himself to Be God. (2 Thessalonians 2:3,4).
4. The One-World Church and the One-World Government (Revelation, Chapter 13).

I. Christ Returns To The Earth.

1. Location, the Mount of Olives (Zechariah 14:4).
2. Saints of God Will Come With Christ (Jude 14).
3. Christ Upon His Throne (Matthew 25:31).
4. Purpose, To Judge The Nations (2 Timothy 4:1).

J. Battle of Armageddon (Revelation 14:15-20; 16:16; 19:15-21).

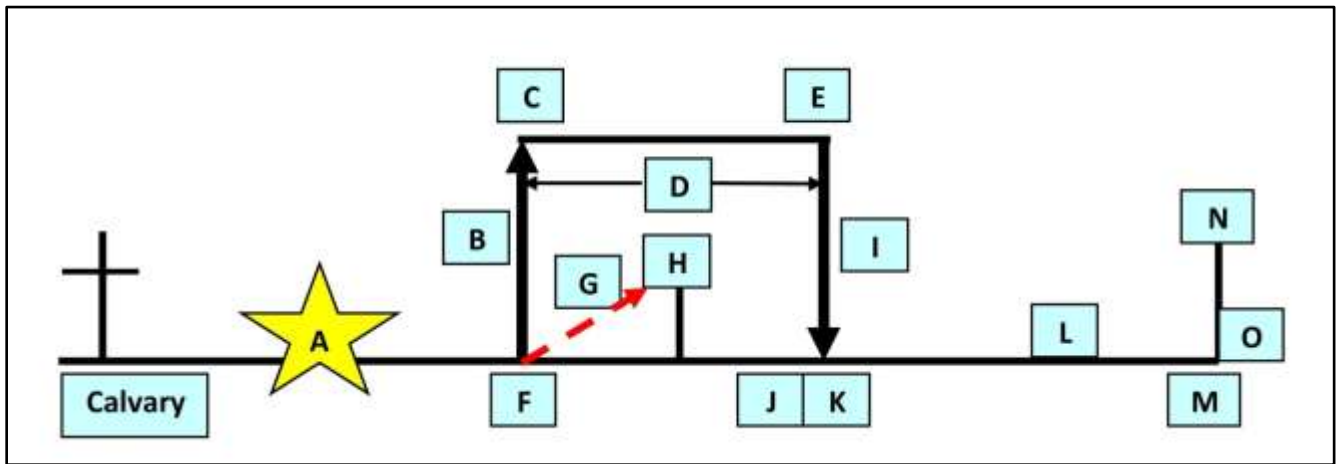
K. Judgment of the Nations (Matthew 24:38-44; 25:32-46).

L. Reign of Christ On Earth.

1. Length (1,000 years (Revelation 20:1, 2)).
2. Peace (Isaiah 11:6-9).
3. Nations will have to be represented in keeping the Feast of Tabernacles in Jerusalem once a year. (Zechariah 14:16-19).
4. The Marriage Supper of The Lamb (Revelation 19:7-9).

M. Second Battle of Gog And Magog (Revelation 20:8-10).

N. Great White Throne Judgment (Revelation 20:11-15).



THE CHURCH AGE, SIXTH DISPENSATION: STAR "A"

I. THE CHURCH IDENTIFIED

The Building: Ephesians 2:19-22

The Bride: Revelation 19:7,8

The Church: "Ecclesia, A Called Out Assembly." (Ephesians 5:25)

The Church Age is also the Sixth Dispensation, alternately known as the Age of Grace. It extends from the descent of the Holy Spirit to the ascent of the Church; or the Rapture. Duration: 2000 years plus. Man's condition during this dispensation is that all the world is guilty before God (Romans 3:10-18). **"All have sinned and come short of the glory of God."** By nature man is a sinner, "born in iniquity." Even though all have sinned; all can be saved by believing on the Lamb of Calvary, God's Son, and our Savior, Jesus Christ.

"Neither is there salvation in any other: for there is none other name under heaven given among men, whereby we must be saved."
(Acts 4:12)

"And they said, Believe on the Lord Jesus Christ, and thou shalt be saved, and thy house." (Acts 16:31)

"For God so loved the world, that he gave his only begotten Son, that whosoever believeth in him should not perish, but have everlasting life." (John 3:16)

For by grace are ye saved through faith; and that not of yourselves: it is the gift of God: (8) Not of works, lest any man should boast. (Ephesians 2:8-9)

"These things have I written unto you that believe on the name of the Son of God; that ye may know that ye have eternal life, and that ye may believe on the name of the Son of God. " (1 John 5:13)

The Christian's responsibility during the Church Age is to win the lost.

"But as we were allowed of God to be put in trust with the gospel, even so we speak; not as pleasing men, but God, which trieth our hearts. (1 Thessalonians 2:4)

The Church Age will end with the Rapture of the Church from a world of sin, as Scripture reveals in 1 Thessalonians 4:16-18.

"For the Lord himself shall descend from heaven with a shout, with the voice of the archangel, and with the trump of God: and the dead in Christ shall rise first: (V.16)

Then we which are alive and remain shall be caught up together with them in the clouds, to meet the Lord in the air: and so shall we ever be with the Lord. (V.17).

Wherefore comfort one another with these words." (1 Thessalonians 4:16-18)

II. THE CHURCH HAS NOT REPLACED ISRAEL!

Much confusion has been caused by the "teaching" that God is through with Israel and her blessings have now been given to the Church. No, Israel is NOT the church and the Church has not replaced Israel. Through Abraham, Isaac, and Jacob, God was forming a nation to ultimately produce the Messiah (Jesus Christ) and show Himself to the surrounding pagan nations.

"Then PAUL AND BARNABAS waxed bold, and said, It was necessary that the word of God should first have been spoken to you: BUT SEEING YE PUT IT FROM YOU, and judge yourselves unworthy of everlasting life, lo, we turn to the Gentiles." (V.46)

"For so hath the Lord commanded us, saying, I have set thee (Paul and Barnabas) to be a light of the Gentiles, that thou shouldst be for salvation unto the ends of the earth." (Acts 13:46,47)

This was during the Dispensation of Promise, beginning with the call of Abraham (Genesis 12:1-3) and ending with the Exodus. (Exodus 12:40)

Also during the dispensation of Law, from the Exodus to the Cross, God wanted the Jews to reach out and bring other nationalities to Him. They could become Jewish proselytes and keep the rituals and sacrifices. These sacrifices only covered sin and the shedding of innocent blood showed what the Messiah would do when He went to the Cross. Those that believed and were saved, were looking forward to the crucified Christ. We look back to the Cross, believing that Jesus died to pay for our sins; therefore having the assurance of eternal life.

When Christ came, He became the perfect sacrifice which would not just cover sin; but, take it away completely.

"The next day John seeth Jesus coming unto him, and saith, Behold the Lamb of God, which taketh away the sin of the world." (John 1:29)

After the cross, we enter a new dispensation. The Church Age; or, Age of Grace. Under Promise and the Law, God dealt through one nation, Israel. Under Grace, He deals with the world, and all nationalities.

"Is he the God of the Jews only? Is he not also of the Gentiles? Yes, of the Gentiles also." (Romans 3:29)

"There is neither Jew nor Greek, there is neither bond nor free, there is neither male nor female: ye are all one in Christ Jesus." (Galatians 3:28)

There is one kind of salvation for all.

"For God so loved the WORLD, that he gave his only begotten Son, that whosoever believeth in him should not perish, but have eternal life." (John 3:16)

It is not ethnic salvation. Everyone is saved the same way, by believing that Jesus Christ died to pay for our sins.

After the Rapture, we have the 7-Year Tribulation Period. God again deals with the Jews as a NATION for their rejection of Christ, and with the world as a whole for its ungodliness. It is called "Jacob's Trouble." (Jeremiah 30:7; Daniel 12:1; Revelation, Chapters 6-19)

Romans 11:26 is important in this context.

"And so all Israel shall be saved; There shall come out of Sion the Deliverer (Christ), and shall turn away ungodliness from Jacob (the Nation of Israel):"

This occurs at the end of the Tribulation Period. The Jews know the Antichrist is not the Messiah; as the Real One, King Jesus, has arrived on the scene! Individual Jews surviving at the end of the Tribulation Period will either have believed in Christ as their Messiah or, have taken the mark "666," and will hear the devastating words of Matthew 25:41.

"Then shall he say also unto them on the left hand, Depart from me, ye cursed, into everlasting fire, prepared for the devil and his angels:"

It will be the same with surviving Gentiles. This occurs at the Judgment of the Nations at the end of the Tribulation and beginning of the Kingdom. (Matthew 25:31-46) The only surviving Jews entering the Kingdom will be believing Jews.

"...So all Israel shall be saved."

It is the same for the Gentiles. Then begins the 1,000 year Kingdom when Christ reigns from Jerusalem. (Revelation 19:11, 20:4-6).

We have to make the determination according to the context of the Scripture as to whether it is speaking of individual salvation; and not of the nation as a whole.

III. EXPLANATION OF ROMANS 11:20, 21

"Well; because of unbelief they (Israel) were broken off, and thou (Gentiles) standeth by faith. Be not highminded but fear. For if God spared not the natural branches (Israel), take heed lest he also spare not thee (Gentiles)."

Since this verse says "**because of unbelief**" Israel was "broken off," and then warns us, the Gentiles, "**...take heed lest he also spare not thee,**" some question that this means you can lose your salvation, and that God is through with Israel.

A. Romans, Chapters 9-11.

Romans, Chapters 9 to 11 are speaking concerning Israel as a nation; and the Christian's attitude toward them during the Church Age.

1. Chapter 9: Israel in the Past.
2. Chapter 10: Israel in the Present.
3. Chapter 11: Israel in the Future.

1. Israel In the Past.

Christ, the Messiah was promised to Israel as their King. The Prophet, speaking by the inspiration of the Holy Spirit, told Israel in Isaiah 9:6,

"For unto us a child (Jesus) is born (His humanity), unto us a son (Christ, His deity) is given: and the government shall be upon his shoulder: and his name shall be called Wonderful, Counsellor, The mighty God, the everlasting Father, the Prince of Peace."

Also, Isaiah, in 7:14, said to Israel,

"Therefore the Lord himself shall give you a sign: Behold, a virgin shall conceive and bear a son, and shall call his name Immanuel (God with us)."

All the Gospels record the Lord Jesus Christ offering Himself to Israel as their long-awaited Messiah, King and Savior; but, as a nation, they rejected Him. In John 1:11 we have the record,

He (Christ) came unto his own (Israel) and his own (Israel) received him not."

In Matthew 27:22,

"...They all say unto him (Pilate), let him (Christ) be crucified."

Because of their unbelief, they were dispersed throughout the world in 70 A.D.

2. Israel In the Present.

In the meantime, the saved Gentiles, who are the "**wild olive tree**" of Romans 11:24, have the religious privileges of taking the Gospel to the Jews and the rest of the world.

"For if thou wert cut out of the olive tree which is wild by nature, and wert grafted contrary to nature into a good olive tree: how much more shall these, which be the natural *branches*, be grafted into their own olive tree?" (Romans 11:24)

During this Church Age, from Pentecost to the Rapture, God is not dealing with any one nation in particular; but, is calling out a people for His name, regardless of nationality. (Galatians 3:28).

"There is neither Jew nor Greek, there is neither bond nor free, there is neither male nor female: for ye are all one in Christ Jesus" (Galatians 3:28)

3. Israel In the Future.

After the Rapture, Israel will face horrible persecutions at the hands of the Antichrist. Then, the Lord returns to establish His Kingdom; thus fulfilling His promises of blessing and preservation to His chosen people, the nation of Israel. This is what Romans 11:23,24 is saying,

"...for God is able to graff them (Israel) in again (i.e. as a nation)." (V.23)

And,

"...the natural branches, be grafted into their own olive tree." (V.24)

The Olive Tree represents Israel's religious privileges; therefore, representing Israel as a restored nation. (Ezekiel 37:21,22) Israel will worship the Lord Jesus Christ as their Messiah, King, and Savior; thus, fulfilling Romans 11:26,

"And so all Israel shall be saved: as it is written, There shall come out of Sion the Deliverer, and shall turn away ungodliness from Jacob (Israel)."

Romans, Chapter 11, proves that God is faithful to His Word. As the Nation of Israel is made up of individuals, the majority never believed and are in Hell today; as they never were saved. Those 3,000 that did believe on Pentecost (Acts 2:41) are in Heaven today.

As a nation, Israel has and will be chastened at the hand of God; but, in the end, it is still a nation. When a person accepts Jesus Christ as their Savior they become a child of God. (John 1:12) When they sin, God can chasten; but, they are still a Christian, still a son of God. The Lord makes this perfectly clear in Hebrews 12:5-7.

"And ye have forgotten the exhortation which speaketh unto you as unto children, My SON, despise not thou the chastening of the Lord, nor faint when thou art rebuked of him: (V.5)

For whom the Lord loveth he chasteneth, and scourgeth every SON whom he receiveth. (V.6)

If ye endure chastening, God dealeth with you as with sons; for what SON is he whom the father chasteneth not? (V.7)

No, you can never lose your salvation; or you would also lose your relationship as a son. God will always keep His promises to the Nation of Israel, also!

IV. CAN WE DISCERN THE SIGNS OF THE TIMES?

“...now *it is* high time to awake out of sleep: for now *is* our salvation (deliverance from “the wrath to come,” i.e. the Rapture) nearer than when we believed. (V.11) The night is far spent, the day is at hand:”(Romans 13:11-12)

These words, which the Apostle Paul penned by inspiration of the Holy Spirit, let us know that we Christians do not have much time to serve the Lord. As composer, Esther Smith, wrote in the verses of this chorus,

“The next event is the Great Advent,
The Messiah comes again.
So, with one accord
Let us serve the Lord;
For the night is far spent.
Let the word be sent
O’er the land’s extent;
Only faith in Christ will save.
Soon the Lord will come.
Will He say, “Well done!”
“The night is far spent.”

As a Christian looks around him at the downward moral spiral of our country and the evil in the world today, one feels the Rapture must be close. Many atheists scoff at the truth of the Bible, and ridicule Christians for believing that we will one day be “caught up” to Heaven to be with our Savior and loved ones who have gone before. The Apostle Peter, speaking by inspiration in 2 Peter 3:3,4 said,

“Knowing this first, that there shall come in the last days scoffers,
walking after their own lusts, (V.3)

And saying, Where is the promise of his coming? for since the
fathers fell asleep, all things continue as *they were* from the beginning
of the creation.” (V.4)

Rightly dividing the Word of Truth allows the Christian to know what signs to apply to the Church Age, and what signs to apply to the Tribulation Period.

A. Signs for the 7-Year Tribulation.

The Seven Year Tribulation Period, is also known as “The 70th Week of Daniel,” and the “Time of Jacob’s Trouble. (Jeremiah 30:7).

1. Matthew 24:3-12.

“And as he sat upon the mount of Olives, the disciples came unto him privately, saying, Tell us, when shall these things be? and what shall be the sign of thy coming, and of the end of the world (age)? (V.3)

And Jesus answered and said unto them, Take heed that no man deceive you. (V. 4)

For many shall come in my name, saying, I am Christ; and shall deceive many. (5)

And ye shall hear of wars and rumours of wars: see that ye be not troubled: for all these things must come to pass, but the end is not yet. (V. 6)

For nation shall rise against nation, and kingdom against kingdom: and there shall be famines, and pestilences, and earthquakes, in divers places. (V. 7)

All these are the beginning of sorrows. (V. 8)

Then shall they deliver you up to be afflicted, and shall kill you: and ye shall be hated of all nations for my name's sake. (V. 9)

And then shall many be offended, and shall betray one another, and shall hate one another. (V. 10)

And many false prophets shall rise, and shall deceive many. (V. 11)

And because iniquity shall abound, the love of many shall wax cold.” (Matthew 24:3-12)

2. Matthew 24:23-24.

“Then if any man shall say unto you, Lo, here is Christ, or there; believe it not. (23)

For there shall arise false Christs, and false prophets, and shall shew great signs and wonders; insomuch that, if it were possible, they shall deceive the very elect.” (Matthew 24:23,24)

3. Matthew 24:29-30.

“Immediately after the tribulation of those days shall the sun be darkened, and the moon shall not give her light, and the stars shall fall from heaven, and the powers of the heavens shall be shaken: (V. 29)

And then shall appear the sign of the Son of man in heaven: and then shall all the tribes of the earth mourn, and they shall see the Son of man coming in the clouds of heaven with power and great glory.” (Matthew 24:29,30)

There are two reasons why these signs are for the Tribulation Period and not the Rapture.

- a. Matthew, Mark, Luke, and John knew nothing about the Rapture, as this was a mystery until revealed unto the Apostle Paul as described in Ephesians 3:1-10.
- b. In Matthew, Chapter 24, the signs listed are for the Tribulation as Verse 29 states that Christ will come **“immediately after the tribulation of those days.”**

In Verse 30, Christ comes from Heaven to the Earth; **“and then shall all the tribes of the earth mourn.”** They mourn because they are unbelievers and their judgment is eminent.

B. Signs For the End of the Church Age.

1. 1 Timothy 3:1-15.

“This know also, that in the last days perilous times shall come. (V.1)

For men shall be lovers of their own selves, covetous, boasters, proud, blasphemers, disobedient to parents, unthankful, unholy, (V.2)

Without natural affection, trucebreakers, false accusers, incontinent, fierce, despisers of those that are good, (V.3)

Traitors, heady, highminded, lovers of pleasures more than lovers of God; (V.4)

Having a form of godliness, but denying the power thereof: from such turn away. (V.5)

For of this sort are they which creep into houses, and lead captive silly women laden with sins, led away with divers lusts, (V.6)

Ever learning, and never able to come to the knowledge of the truth. (V.7)

Now as Jannes and Jambres withstood Moses, so do these also resist the truth: men of corrupt minds, reprobate concerning the faith. (V.8)

But they shall proceed no further: for their folly shall be manifest unto all men, as theirs also was. (V.9)

But thou hast fully known my doctrine, manner of life, purpose, faith, longsuffering, charity, patience, (V.10)

Persecutions, afflictions, which came unto me at Antioch, at Iconium, at Lystra; what persecutions I endured: but out of them all the Lord delivered me. (V.11)

Yea, and all that will live godly in Christ Jesus shall suffer persecution. (V.12)

But evil men and seducers shall wax worse and worse, deceiving, and being deceived. (V.13)

But continue thou in the things which thou hast learned and hast been assured of, knowing of whom thou hast learned them; (V.14)

And that from a child thou hast known the holy scriptures, which are able to make thee wise unto salvation through faith which is in Christ Jesus." (1 Timothy 3:1-15)

2. 1 Timothy 4:1-4.

"Now the Spirit speaketh expressly, that in the latter times some shall depart from the faith, giving heed to seducing spirits, and doctrines of devils; (V.1)

Speaking lies in hypocrisy; having their conscience seared with a hot iron; (V.2)

Forbidding to marry, and commanding to abstain from meats, which God hath created to be received with thanksgiving of them which believe and know the truth. (V.3)

For every creature of God is good, and nothing to be refused, if it be received with thanksgiving;" (1 Timothy 4:1-4)

Paul was living in the First Century of the Church Age and had written 2 Timothy about 68 A.D. Paul had described the Rapture in 1 Thessalonians 4:13-18, written about 52 A.D. In fact, at the conclusion of each chapter he made reference to Christ's coming. (1:10; 2:19; 3:13; 4:16,17; 5:23)

Paul knew the Rapture would end the Church Age and initiate the Tribulation, and he was inspired by the Holy Spirit to describe and warn Christians about how evil people will be on the door steps of the Rapture. One can easily see in the last 40, or so, years, how our values in American have almost plummeted into non-existence.

Paul continues in 2 Timothy 4:3,4, describing the world's attitude towards the TRUTH, as recorded in God's Word, the Bible.

"For the time will come when they will not endure sound doctrine; but after their own lusts shall they heap to themselves teachers, having itching ears;" (V.3)

"And they shall turn away their ears from the truth, and shall be turned unto fables." (V.4)

Since the Supreme Court has done its best to wipe God out of America, there has been a great change in people's response to Christians that witness. It used to be that people were interested in knowing how to have eternal life in Heaven. They rejoiced to know that God loved them and eternal life was a free gift. (Ephesians 2:8,9) That the gift of eternal life was accepted by simple faith in the absolute fact that John 3:16 was true.

"For God so loved the world, that he gave his only begotten Son, that whosoever believeth in him should not perish, but have everlasting life."

But today, after two-thousand plus years, these signs are upon us. At the end of Verse 3 are the words "**having itching ears.**" These are those who absolutely reject the truth and are eager to listen to false teachers that agree with their own ideas that are contrary to the will of God.

Churches today have turned into godless entertainment centers instead of Bible-teaching churches.

The Christian's responsibility is given in 2 Timothy 4:2 and 5.

"Preach the word; be instant in season, out of season; reprove, rebuke, exhort with all longsuffering and doctrine." (V.2)

"But watch thou in all things, endure afflictions, do the work of an evangelist, make full proof of thy ministry." (V.5)

In conclusion: the Word of God, in the eyes of our Supreme Court, seems to be the virus that is destroying humanity. Their pursuit to exterminate this virus has brought America's social behavior to fulfill God's Word in Proverbs 29:18,

"Where there is no vision, the people perish: but he that keepeth the law, happy is he."

The literal meaning describes perfectly what happens to society when the Word of God is excluded.

a. **"no vision"** – literally means that there is no word from God.

b. **"The people perish"** – This is a very interesting word in the Hebrew. Of the 117 times this word appears in the Old Testament, only here is the Hebrew word "PARA" used. The Hebrew "para" means: To loosen; to expose; avoid; uncover; make naked. It is translated as "perish" in our English, which describes the end results of society collectively, or people individually. So, the literal meaning of this verse, in compliance to the Hebrew meaning, would read like this,

"Where there is no word from God the people cast off restraints and literally go to pieces."

We can hardly believe what we see today in our society. Human beings acting like wild animals, and this is paraded before our eyes, not only on the nightly news; but, in what passes for a television program. We pray, "Even so, come, Lord Jesus."

V. "AS THE DAYS OF NOAH"

A. An Explanation of Genesis 6:1-9.

"But as the days of Noe were, so shall also the coming of the Son of man be. (V.37)

For as in the days that were before the flood they were eating and drinking, marrying and giving in marriage, until the day that Noe entered into the ark, (V.38)

And knew not until the flood came, and took them all away; so shall also the coming of the Son of man be." (Matthew 24:37-39)

The men of old rejected Enoch's warning that God's judgment was going to come (Jude 14,15). About 550 years later, here comes Noah. Enoch died 69 years before Noah was born. The Flood came when Noah was 600 years old (Genesis 7:11). Noah had preached the Flood

Judgment for 120 years prior to the Flood. Yet, we find mankind did not believe and **“knew not until the flood came and took them all away...”**

The **“coming of the Son of man”** that Matthew is referring to is what occurs at the end of the Tribulation. The Rapture will take place 7 years sooner. But, mankind has never changed since the time of the Flood. They say,

“Where is the promise of his coming? for since the fathers fell asleep, all things continue as they were from the beginning of the creation. (V.4)

For this they willingly are ignorant of, that by the word of God the heavens were of old, and the earth standing out of the water and in the water:” 2 Peter 3:4-5

Fortunately, the Christians will be “taken away” in the Rapture and the unbelievers have been left behind to endure the seven terrible years of the Tribulation Period.

Here are the four verses we will examine in Genesis 6:

“And it came to pass, when men began to multiply on the face of the earth, and daughters were born unto them, (V.1)

That the sons of God saw the daughters of men that they were fair; and they took them wives of all which they chose. (V.2)

And the Lord said, My spirit shall not always strive with man, for that he also is flesh: yet his days shall be an hundred and twenty years. (V.3)

There were giants in the earth in those days; and also after that, when the sons of God came in unto the daughters of men, and they bare children to them, the same became mighty men which were of old, men of renown.” (V.4)

B. Who Are The Sons of God?

In beginning, we need to recognize who are called "sons of God," as Verse Two begins with.

1. Angels, good and wicked, are called Sons of God by creation (Colossians 1:1; Ezekiel 28:15). All angels are men; and now disembodied spirit beings (Psalm 104:4).
2. Christians are called Sons of God by regeneration. (John 1:12)
3. Jesus Christ is called the Son of God by relationship. In Deuteronomy 33:27, God is the Eternal God. In Matthew 6:9 which states, "Our Father (God) which are in heaven." NOTE: If a man has been a father for 10 years; then, he has had to have a son for 10 years. Since God is the Eternal Father; Christ is the Eternal Son.

In Genesis 6:2, the **"sons of God"** are the wicked angels, now disembodied, and identified in Scripture as "demons, seducing spirits, etc." (1 Timothy 4:1) They can indwell lost people; but not Christians. They can even control the minds of the lost, and speak through their vocal chords and mouths.

For example: Read Mark 5:1-15 and Mark 9:16-26 carefully. You hear today of people being treated by psychiatrists for speaking with multiple voices. This is nothing more than demon possession. The only cure is for them to trust Jesus Christ as their Savior; not a bottle of pills, or the phony faith healers! When a person trusts Jesus Christ as their Savior, the Holy Spirit takes up residence in the Christian (Ephesians 1:13; 1 Corinthians 6:19); and the demons are expelled forever! In Mark 16:9, Christ had cast seven demons out of Mary Magdalene.

Enoch had warned the ungodly about the future judgment of God years before Noah came on the scene; as he died 69 years before Noah was born. Notice in Jude 14,15...

"And Enoch also, the seventh from Adam, prophesied of these, saying, Behold, the Lord cometh with ten thousands of his saints, (14)

To execute judgment upon all, and to convince all that are ungodly among them of all their ungodly deeds which they have ungodly committed, and of all their hard speeches which ungodly sinners have spoken against him." (15)

In Genesis 5:22, we are told that Enoch "walked with God" the last 300 years of his life. His warning did no good, as their eyes they closed and their ears they stopped from hearing (Matthew 13:15). We have the same people today; only the names have been changed.

As we examine the genealogies, dates and ages of people, we find that Noah was 600 years old when the flood came. (Genesis 7:11) He was born 69 years after Enoch died. He warned the ungodly for 120 years prior to the flood, that it was God's judgment.

"And the Lord said, My spirit shall not always strive with man, for that he also is flesh: yet his days shall be an hundred and twenty years." (Genesis 6:3)

Therefore, Noah, at 480 years old warned the wicked for 120 years that God's judgment of the flood would take place and destroy them all. After God's long-suffering and the warning from Enoch and Noah, God took sight of every human being and records His findings in Genesis 6:5...

"And GOD saw that the wickedness of man was great in the earth, and that every imagination of the thoughts of his heart was only evil continually."

C. The "Sons of God." In Genesis 6:2 Are Demons, and Disembodied Spirits.

What is their objective? God warns every person that Satan and his demons have one objective, and that is to keep the lost unsaved until they die and plunge into Eternal Hell. Satan and his demons rejoice when a person dies without Christ.

"Ye are of your father the devil, and the lusts of your father ye will do. He was a murderer from the beginning, and abode not in the truth, because there is no truth in him. When he speaketh a lie, he speaketh of his own: for he is a liar, and the father of it." (John 8:44)

1. Demon Possession.

Satan gathers his most wicked demons to make sure that no one will believe what Noah is preaching. He is not going to take any chances by external influence; as his plan is to internally possess the women, and continually direct their minds and thoughts that this quack preacher, named Noah, doesn't know what he is talking about. He must have had some visions and dreams and is trying to get a following by telling us that some so-called God is going to destroy us. One must remember, Satan is a murderer and a liar.

2. Genesis 6:2, "...Daughters of Men."

The word "daughters" is from a Hebrew prime root, "BANAH," and means: (to build, begin to build, obtain children, set up, make) It is used literally, or figuratively, depending on the context in which it is used. In other words, they are daughters who are married, or soon to be. They will have children and Satan's forces, by demon possession of their bodies and minds, will oppose Noah's message that God's judgment is soon to arrive.

3. Genesis 6:2, "...the sons of God saw the daughters of men that they were FAIR;"

- a. Why did the demons choose the women to possess, instead of the men? This was a very smart move by Satan. We will explain why as we continue.
- b. The word "FAIR" is the Hebrew "TOWB," and means, as an adjective, "beautiful, loving, most pleasant, joyful, etc." Basically, the word describes the kind of woman they are going to possess and control. Two attributes these women possess are:
 - (1). **Externally:** They are physically beautiful.
 - (2). **Internally:** Their human spirit is as beautiful as their appearance, and their demeanor possesses all the adjectives listed above.
 - (3). **BUT spiritually, they are heathen!** They could be an agnostic, atheistic; or a worshipper of some false god. They were heathen, without the true and living God and destined for Eternal Hell. It reminds me of those in Matthew 7:21-23. All of their wonderful works they told the Lord about, to glorify themselves, would profit them nothing! Christ's reply to them was in Verse 23...

"And then will I profess unto them, I never knew you: depart from me, ye that work iniquity." (Matthew 7:23)

- c. Why did Satan choose the women to possess?
 - (1). Satan knows very well the bond that a mother has with her children is very strong. The mother raises the baby, feeds, cuddles, loves; and spends more time with her child than the father, who is working and providing for the family. As the child grows and adores its mother; is this same child going to believe "the quack preacher, Noah" that his so-called God is going to kill us all? This is passed on down from generation to generation. There is a famous poem on motherhood that states, "The hand that rocks the cradle, is the hand that rules the world."

How difficult it is to win a person who has had a wonderful mother and dad; but, they have been involved in a cult religion they have been brought up in. It is hard for a child to conceive that Mom was wrong. Satan loves it, and this is why he chose the women that would not believe "a preacher of righteousness." (2 Peter 2:5).

- (2). It had never rained from Heaven before! What was this "rain" anyway? Noah went right on preaching the message God had given him in Genesis 6:17.

"And, behold, I, even I, do bring a flood of waters upon the earth, to destroy all flesh, wherein is the breath of life, from under heaven; and every thing that is in the earth shall die." (Genesis 6:17)

Since it had never rained upon the Earth, as yet, Noah's preaching was laughed at. God states this in Genesis 2:5a,6...

"...for the Lord God had not caused it to rain upon the earth, and there was not a man to till the ground. (5a) But there went up a mist from the earth, and watered the whole face of the ground." (V.6)

Can you not just hear these wonderful, beautiful mothers, with a pleasing personality, and pleasant and loving disposition, telling their children to stay away from this cult preacher, named Noah, who says, "A flood is going to destroy us all. How can we have a flood, when it has never rained before!" The evil spirits in these women will keep this philosophy in their minds, until the demonic lie is washed away by the reality of Godly truth and they are all destroyed!

4. Genesis 6:2, "...and they took them wives."

- a. "**Wives**," in this verse, is a mistranslation. The Hebrew for "**wives**" is "ishshah." It is the same word that can be translated "wife," or "woman," depending on the context.
- b. The reason the King James translators used "**wives**" instead of "**women**," is they took the "**sons of God**" to mean Christians married to the lost, being the "**daughters of men**." They failed to recognize that the angels (good and wicked) are called the "sons of God" by creation and are now disembodied spirit beings. Since they assumed that the "sons of God" were human beings, they translated the Hebrew as "wives," since a human being can marry another human being. Some of your commentaries have surrendered to this same error.
- c. Had the translators recognized that the "**sons of God**" were the wicked demons, they would have translated the Hebrew word "**ishshah**" as "women," instead of "**wives**," which would be correct.

The reason is, that a demon, a spirit being, cannot marry a human being; but, they can indwell a lost person. A spirit being cannot marry bodily a human being. Read Matthew 22:23-30. Here, we will only quote from Verse 30...

"For in the resurrection they neither marry, nor are given in marriage, BUT ARE AS THE ANGELS OF GOD IN HEAVEN."

When God originally created the angels, they were all men, and were never intended by God to marry.

d. God describes these wicked angels that brought about the flood in Jude, Verse 6...

"And the angels which kept not their first estate, but left their own habitation, he hath reserved in everlasting chains under darkness unto the judgment of the great day."

- (1). "...**first estate**," spiritually, their own being as angels; but, now attacking and indwelling God's Creation, injecting their venom of rejecting God's Word.
- (2). "...**left their own habitation**," the atmosphere above the Earth.

e. Peter also pens God's Word concerning these same angels in 2 Peter 2:4...

"For if God spared not the angels that sinned, but cast them down to hell, and delivered them into chains of darkness, to be reserved unto judgment;" – 2 Peter 2:4

- (1). The word "Hell," here, is the Greek word "tartaroo," and is the only place it appears in the Greek New Testament. God has prepared a separate place for these wicked demons (angels), until they are judged and cast into the Lake of Fire.

5. Genesis 6:3.

"And the Lord said, My spirit shall not always strive with man, for that he also is flesh: yet his days shall be an hundred and twenty years."

This verse is self-explanatory. After 120 years, the Flood will destroy all humanity except Noah and his family; who are safe on the Ark of God's Protection. All of the millions of people Satan deceived into Hell, are dead. There is no one left for the Holy Spirit to strive (plead) with, or judge.

6. Genesis 6:4, "There were giants in the earth in those days..."

The word "giants" is from the Hebrew word "nephilim," and means "a BULLY and tyrant." The root word for "giants" is "naphal," meaning "to fall away." These were not giants in stature, as our English word portrays. The Hebrew states these are men who have turned away from God, and are behaving with reckless ferocity. They are impious and daring men who spread devastation and carnage wherever they go, instead of "giants;" thus leading people to think that these were giants like Goliath, who was six cubits and a span (1 Samuel 17:4). He was, therefore, over nine feet tall, using the 18 inch cubit. If they use the 21 inch cubit, he would be over eleven feet tall

This Hebrew word should not have been translated "giants," and is very misleading. This verse should have been translated as follows:

"There were ungodly tyrants in the earth in those days."

Sometimes it takes two English words to express the meaning of a Hebrew word. There is no biblical record of giants, such as Goliath (1 Samuel 17:4), anywhere found prior to the Flood.

7. The Hebrew Word for Giant is "Raphah."

The usual Hebrew word translated as "giant, or giants," concerning their stature or size is "RAPHAH." It is translated seven (7) times as "giant." Four (4) times in 2 Samuel, Chapter 21, and three (3) times in 1 Chronicles, Chapter 20. The same Hebrew word is also translated "giants" five (5) times in Deuteronomy, Chapters 2 and 3; and five (5) times in Joshua, Chapters 12 to 18. The word "giant" appears once in the Book of Job in 16:14.

"He breaketh me with breach upon breach, he runneth upon me like a giant."

Turning the "spotlight" on the Hebrew words in this verse reveals the following:

- a. "**breaketh**" is the Hebrew "tsad" and means "against a person."
- b. "**breach**" is the Hebrew "paras" and means "break apart, scatter, spread, etc."
- c. "**giant**" is the Hebrew "gibber" and means "a warrior, tyrant, valiant man, a strong and mighty person."

The word "giant," again, is a mistranslation and leads people to envision a man such as Goliath. A literal translation of Job 16:14 would read as follows:

"He (this man) who is against me and is breaking me apart, time after time. He runneth upon me, like a tyrant who is a strong person, like a mighty warrior."

The only reason I brought this out in Job was to show that; not every time you see the word "giant" is it referring to the physical stature of a person, such as Goliath. Rather, it is referring to the attitude and physical strength of a person who is a tyrant and a warrior.

This is similar to the same error made in Genesis 6:4, where the Hebrew word "nephilim" is translated as "giants," instead of "ungodly tyrants."

8. Genesis 6:4.

"There were giants in the earth in those days; and also after that, when the sons of God came in unto the daughters of men, and they bare children to them, the same became mighty men which were of old, men of renown."

- a. "**...giants in the earth in those days...**" Giants, not of stature; but, ungodly tyrants, mentally and physically strong men.
- b. "**...sons of God...**" These are the angels that followed Satan, and are now disembodied evil spirits, known as demons.
- c. "**...came in unto the daughters of men...**" They personally indwelt the women.
- d. "**...and they bare (children) to them, the same (became) mighty men which (were) of old,**

men of renown."

- (1).The word "**children**" is italicized; therefore, indicating it is not in the Majority Text. As previously stated, evil, demonic spirits cannot have sex with human beings.
- (2)."**became**" is also italicized, as it does not appear in the original text.
- (3)."**were**" also italicized and is not in the original text.
- (4). Now, let us look at this part of the verse as it would appear in the Majority Text, being translated into English.

"...and they bare to them, the same mighty men which of old, men
of renown (demon-possessed)."

In other words, the demons that possessed these heathen women would also possess these male children; so they would be heathen, just like their grandfathers, great grandfathers, and so on, "which were of old," meaning their male ancestors.

- (5).The Hebrew word for "mighty" is "**gibbor**," and means "ungodly men, mentally and physically strong.
- (6)."**renown**" is the Hebrew word "shem," pronounced "shame," and means "lofty, honor, authority, character." In other words, these were your heathen leaders. They would be like our House of Representatives and Senate in America. These were men who were heathen men, who were strained out of the people, and exercised their authority. They had a character of honor, which was lofty (that is "above" the people) and prided themselves in the fame they held.

In summing this up in Genesis 6:4, the men of old rejected Enoch's warning that God's judgment was going to come (Jude 14,15). About 550 years later, here comes Noah. Enoch died 69 years before Noah was born. The Flood came when Noah was 600 years old (Genesis 7:11).

Noah had preached the Flood Judgment for 120 years prior to the Flood. Noah was 480 years old when he started warning the lost about the Flood. Add 480 years to the 69 years (after Enoch's death until Noah's birth); and you have 549 years from the death of Enoch to the preaching and warning of the Flood Judgment by Noah.

Satan knew all this, that the flood would come, just as God had warned through Noah. The old men were heathen, and many of them had died off. There were still many heathen; but, now a new generation was being born, and Satan's fear was that many of the children, along with their mothers, may listen and believe Noah's warning.

Satan went to work immediately, assembling his army of demons. Their orders were to indwell the heathen women, so they could continually control their minds not to believe Noah, as it had never rained on Earth from Heaven before (Genesis 2:5a,6). If he could keep the mothers from believing Noah, they would convince their children to do the same. Satan had great success, as described in Genesis 6:5.

"And GOD saw that the wickedness of man was great in the earth, and that every imagination of the thoughts of his heart was only evil continually."

9. False Assumptions.

- a. That the descendants of Seth married the descendants of Cain, which produced giants. There is no Scripture for that philosophy!
- b. That the demons took on human bodies, married the heathen women, of which were born giants. No giants until years after the Flood.
- c. Christian men married lost women, of whom were born giants. We have the same marriages today; but--no giants. Satan's and his demons have continued their work of blinding minds and indwelling the lost, down through all ages.

"In whom the god of this world (Satan) hath blinded the minds of them which believe not, lest the light of the glorious gospel of Christ, who is the image of God, should shine unto them."(2 Corinthians 4:4)

Remember, only eight people out of the millions on Earth boarded the Ark! Don't be like the crowds of Noah's day and be one of Satan's victims. Noah and his family did believe God and were saved from destruction of the Flood.

"By faith (his belief in God's Word) Noah, being warned of God of things not seen as yet, moved with fear (reverence for God's Word), prepared an ark to the saving of his house; by the which he condemned the world, and became heir of the righteousness which is by faith." (Hebrews 11:7)

You can also become an " **heir of the righteousness which is by faith...**" by believing that Jesus died on the Cross to pay for your sin. You will then be in the Christian's Ark of Salvation, the Lord Jesus Christ, which saves us from Hell and gives us Eternal Life.

"For God so loved the world, that he gave his only begotten Son, that whosoever believeth in him should not perish, but have everlasting life." (John 3:16)

VI. THE TWO RESURRECTIONS

We are not going into an exhaustive analysis of the Resurrections, but a brief summary is in order as we proceed to the next event in Bible Prophecy, the Rapture of the Church. Please refer to the "Diagram on The Two Resurrections" on Page 94.

1. **Daniel 12:2:** Here we have the first mention of two resurrections, "some to everlasting life and some to everlasting contempt."

"And many of them that sleep in the dust of the earth shall awake, some to everlasting life, and some to shame and everlasting contempt."

2. **John 5:29:** Now, as we turn to the New Testament, in John 5:28,29 we again have the two resurrections mentioned.

"Marvel not at this: for the hour is coming, in the which all that are in the graves shall hear his voice, (V.28)

And shall come forth; they that have done good, unto the resurrection of life; and they that have done evil, unto the resurrection of damnation." (John 5:28,29)

3. Acts 24:15:

And have hope toward God, which they themselves also allow, that there shall be a resurrection of the dead, both of the just and unjust. (Acts 24:15)

The First Resurrection consists of ALL SAVED and is composed of five separate resurrections. The Second Resurrection, which is the Resurrection of Damnation, consists of ALL LOST resurrected to the Great White Throne Judgment.

A. First Resurrection, All Are Saved.

1. The Resurrection of Christ, the First Fruits.

(Locate #1 on Diagram.) The Resurrection of Christ, who is the first fruits of them that arose. (1 Corinthians 15:20,23)

2. Saints Resurrected After Christ's Resurrection, the Sheaf Offering To God.

(Locate #2 on Diagram.) A group of saints resurrected after Christ's Resurrection. They appeared in Jerusalem and were offered by the Lord as a sheaf offering to God. (Matthew 27:52,53; Leviticus 23:10,11.) They are in Heaven and will return with Christ to set up the Kingdom.

3. The Resurrection At The Rapture, The Harvest.

(Locate #3 on Diagram.) This is the Resurrection at the Rapture. Those resurrected are the Christians who have died between Pentecost and the Rapture. (1 Thessalonians 4:13-17; 1 Co-

inthians 15:51-54) They meet Him in the air on the way to Heaven, then return with Christ at the end of the Tribulation.

4. The Resurrection Of The Two Witnesses.

(Locate #4 on Diagram) This is the resurrection of the Two Witnesses in the middle of the Tribulation Period. Their testimony during the first 3-1/2 years is now finished. They are allowed to be killed and their bodies put on display in Jerusalem for 3-1/2 days. After that, they are resurrected and ascend up to Heaven. (Revelation 11:1-12) These would represent the gleanings of the harvest of resurrected bodies of the saved. They will return with Christ at the end of the Tribulation.

5. Old Testament And The Martyred Saints Of The Tribulation, The Gleanings.

(Locate #5 on Diagram.) This is the resurrection of all the Old Testament Saints, and all the Christians martyred during the 7-Year Tribulation Period. They are resurrected to reign with Christ in the Kingdom. (Revelation 20:4,6)

Try to memorize the five parts of the First Resurrection, it will help you as you study the Scriptures. Remember, the First Resurrection consists of only the SAVED, none of the lost are included.

B. Second Resurrection, Made Up of All Lost.

There are no saved here, all are lost. In Revelation 20:5 we are told,

"BUT THE REST OF THE DEAD (the lost), lived not again until the 1,000 years were finished." (See Revelation 20:11-15.)

Torment of Hades is now emptied at the end of Christ's reign. They appear before the Great White Throne Judgment, then are cast into Hell ("Gehenna").

The Diagram of the Two Resurrections is inserted to give the reader an overall view of the resurrections of the saved and lost, as they relate to their respective eternal destinations. It must be noted that there is no one general resurrection of the saved and lost at the same time. The five separate resurrections, which complete the First Resurrection, fulfill what Paul was referring to in 1 Corinthians 15:20 and 23.

"But now is Christ risen from the dead, and become the first fruits of them that slept." (V.20)"

"But every man-in his own order..."(V. 23)

C. Exception: All Christians At The End Of The Millennium.

NOTE: ONE EXCEPTION: Notice on the Diagram, at the end of the Millennium. At this point, the Heavens and the Earth are destroyed; and in 2 Peter 3:10 and 13 we are told that:

"...In the which the heavens shall pass away with a great noise, and the elements shall melt with fervent heat, the earth also and the works that are therein shall be burned up." (V.10)

“Nevertheless we, according to his promise, look for new heavens and a new earth, wherein dwelleth righteousness.”(V. 13)

Further information is gleaned from Isaiah 65:17,

“For, behold, I create new heavens and a new earth: and the former shall not be remembered, nor come into mind.” (Isaiah 65:17)

You will recall that the Millennial Kingdom is started with all saved people in their human bodies (Matthew 25:34), who will bear children during the Millennium. We have no record of these or any other Christians dying during the Millennium. Longevity will be extended as it existed prior to the Flood and a short time after. The Christian during the Millennium will still possess the old, Adamic nature, just as we have today. So to dwell in the New Heaven and New Earth “wherein dwelleth righteousness,” their sinful bodies must be exchanged for new resurrected bodies.

All Christians at the end of the Millennium will have a resurrection, exchanging their terrestrial bodies for a celestial body as found in 1 Corinthians 15:40.

“There are also celestial bodies, and bodies terrestrial: but the glory of the celestial is one, and the glory of the terrestrial is another.” (1 Corinthians 15:40)

In 1 Corinthians 15:53 we are told,

“For this corruptible (dead) must put on incorruption (bodies that can never decay), and this mortal (those alive) must put on IMMORTALITY (bodies that will never taste death).”

We are told why in 1 Corinthians 15:50,

“Now this I say, brethren, that FLESH and BLOOD cannot inherit the kingdom of God...”

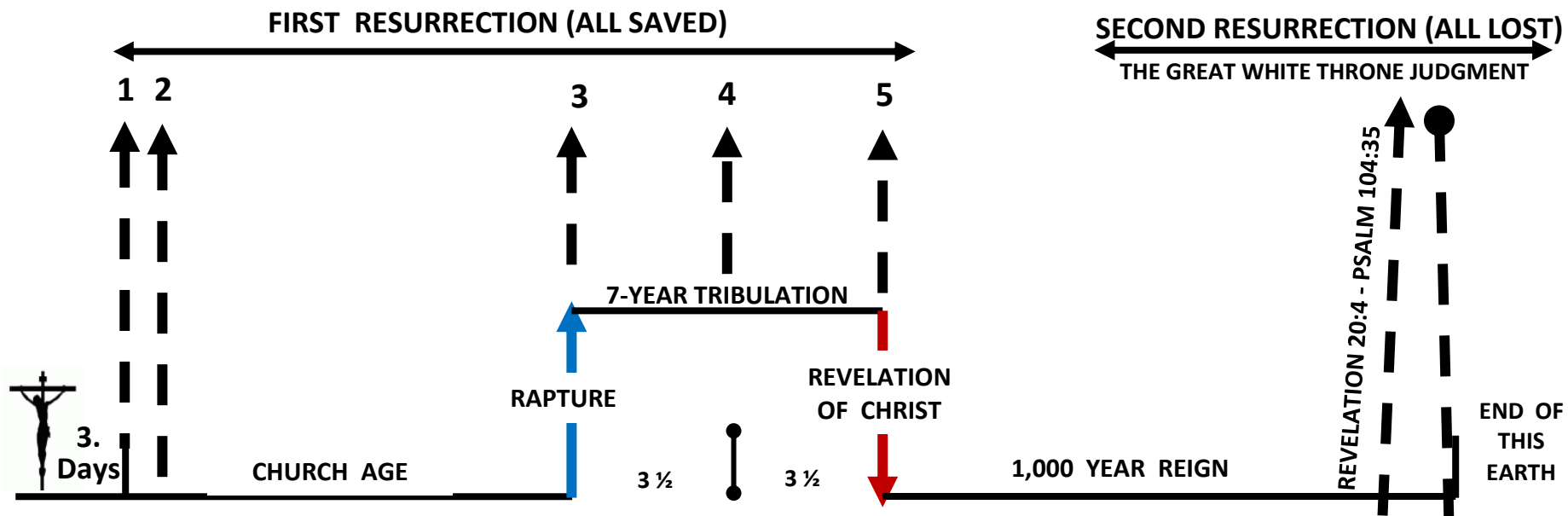
...And in Philippians 3:20,21

“For our conversation (i.e. citizenship) is in heaven; from whence also we look for the Saviour, the Lord Jesus Christ: (V.20)

Who shall change our vile body, that it may be fashioned like unto his glorious body, according to the working whereby he is able even to subdue all things unto himself. ” (Philippians 3:20-21)

Note: The “Diagram of the Two Resurrections” is found on the next page.

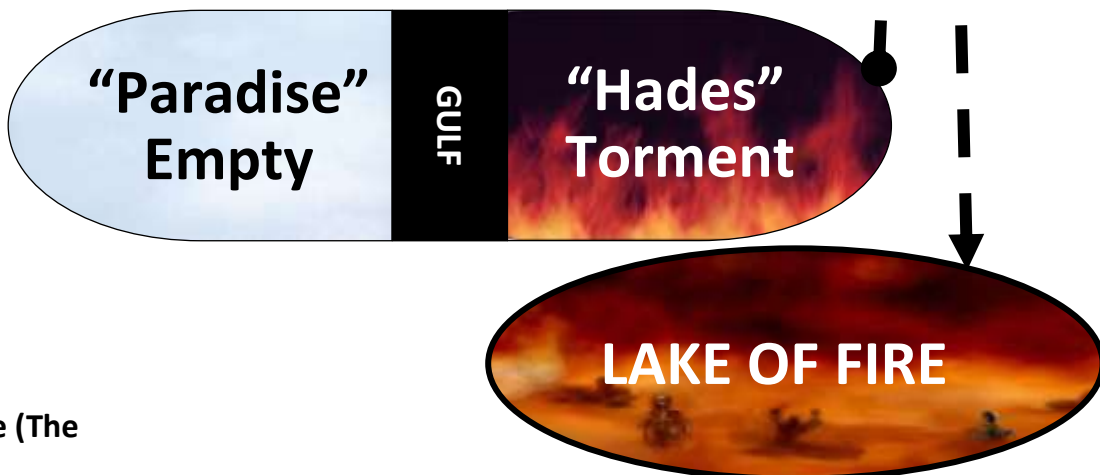
DIAGRAM – THE TWO RESURRECTIONS



1. Daniel 12:2 (Saved & Lost).
2. John 5:29 (Saved & Lost).
3. Acts 24:15 (Saved & Lost).

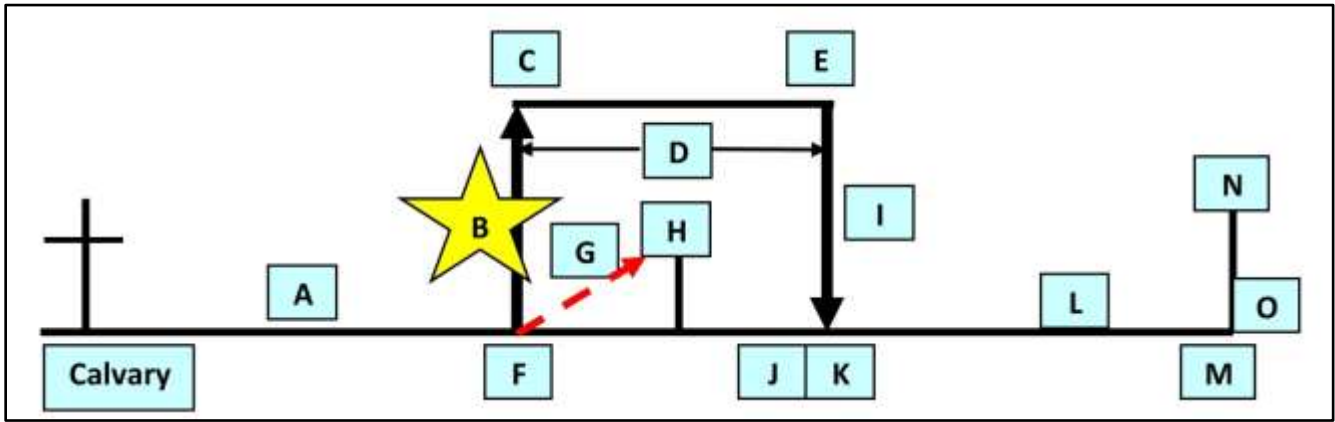
A. FIRST RESURRECTION (ALL SAVED)

1. Christ Resurrected (First Fruits)
2. Matthew 27:52,53, some resurrected after His Resurrection (Sheaf Offering to God)
3. Rapture. Those who have died and those alive (The Harvest).
4. Two Witnesses resurrected in middle of the Tribulation.
5. Old Testament and Tribulation Saints resurrected to reign with Christ in the Kingdom (The Gleanings).



B. SECOND RESURRECTION

1. All lost resurrected to Great White Throne Judgment, then cast into the Lake of Fire.



THE RAPTURE: STAR "B"

I. IS THE CHURCH RAPTURED BEFORE, DURING, OR AFTER THE TRIBULATION PERIOD?

A. The Timing of the Rapture.

The Church Age began on the Day of Pentecost, over 2,000 years ago, and will end with the Rapture. The Rapture will begin the 7 years of tribulation, which will end with Christ coming to the Earth and establishing His Kingdom for a 1,000 years. I will list some of the false claims and show from Scripture why they are not true.

1. The Rapture Is Not The Same Event As The Coming of Christ at The End of The Tribulation.

There are some who teach the Rapture takes place at the end of the Tribulation Period. This has confused many, leading them to believe in what is called the "Post-Tribulation Rapture; i.e., the Rapture does not take place until after the 7-Year Tribulation Period of God's judgment. Therefore, combining the Rapture and the Revelation both as one event.

2. Refutation:

First of all, at the Rapture, all the saved are "caught up" to be with Christ *in the air*. (1 Thessalonians 4:16, 17).

For the Lord himself shall descend from heaven with a shout, with the voice of the archangel, and with the trump of God: and the dead in Christ shall rise first: (V.16)

Then we which are alive and remain shall be caught up together with them in the clouds, to meet the Lord in the air: and so shall we ever be with the Lord. (V. 17)

In Matthew, Chapters 24, 25, we have Christ coming *to the Earth* and judging the nations, which takes place **AFTER** the Tribulation Period. Matthew 25:40 is used by some, falsely, saying *it* is the Rapture. As we shall see, it cannot be the Rapture.

“Then shall two be in the field; the one shall be taken, and the other left.”

Notice, as we quote Matthew 25:31-34, it becomes perfectly clear that this judgment involves 3 things:

1. Christ comes to the earth,
2. He will sit on His throne,
3. He will separate the saved from the lost.

a. Matthew 25:31-34.

“When the Son of man shall come in his glory, and all the holy angels with him, then shall he sit upon the throne of his glory: (Vs. 31).

And before him shall be gathered all nations: and he shall separate them one from another, as a shepherd divideth his sheep (saved) from the goats (lost): (Vs. 32).

And he shall set the sheep on his right hand, but the goats on the left. (Vs. 33)

Then shall the King say unto them on his right hand, Come, ye blessed of my Father, INHERIT THE KINGDOM prepared for you from the foundation of the world.”

b. Matthew 25:41 Tells Us What Happens To the Lost.

“Then shall he say also unto them on the left hand, DEPART FROM ME, ye cursed, into everlasting fire, prepared for the devil and his angels.”

1. Notice carefully, the difference between the Rapture spoken of in 1 Thessalonians 4:16,17, and Christ’s Coming, spoken of in Mathew, Chapters 24, 25.
2. At the Rapture, Christ does not come to the Earth, as we are caught up to meet Him in the clouds.

“Then we which are alive and remain shall be CAUGHT UP TOGETHER with them in the clouds, to meet the Lord in the air: and so shall we ever be with the Lord.” (1 Thessalonians 4:17)

3. Whereas, in Matthew, Christ COMES to the Earth to establish His Kingdom.
4. Notice carefully, at the Rapture in 1 Thessalonians, the saved are the ones taken to Heaven; while the ones left are the lost.
5. Just the opposite takes place in Matthew. Those that are taken are the lost, cast into the Lake of Fire; while those that are left are the saved who enter into the Kingdom in their earthly bodies.

“Then shall the King say unto them on his right hand, COME, YE BLESSED of my Father, inherit the kingdom prepared for you from the foundation of the world:” (Matthew 25:34)

Therefore, it is imperative for the Bible student to understand that these two events are entirely different; being separated by the Seventieth Week of Daniel, known as the 7-Year

Tribulation Period. Without acknowledging the difference between Christ's coming *for* his Church and His coming to *establish the Kingdom*, one will only be led into more error concerning Bible prophecy.

Note: A good principle to remember is, whenever Christ's Return is spoken of in Matthew, Mark, Luke, or John, it is never the Rapture; but, rather, the return of Christ at the conclusion of the Tribulation to judge the nations. The Rapture was a mystery, revealed unto the Apostle Paul after the Church Age had begun. (Ephesians 3:1-10) The Church does not go through, or into, the Tribulation Period!

3. A Pre-Tribulation Rapture Is What the Bible Teaches.

Now let us examine the proof: The Church Is Delivered From the Wrath of The 7-Year Tribulation as we learn from 1Thessalonians. 1:10,

"And to wait for his Son from heaven, whom he raised from the dead, even Jesus, WHICH DELIVERED US from the wrath to come."

In examining this verse there are three things we need to recognize: Paul was writing to Christians (1:1 and 5:25).

1. They were already delivered from the wrath of Hell. (John 3:36)
2. Notice "**which delivered us**" is translated in the past tense. This is incorrect, as the Greek has it in the future tense. It should read as "who delivers us," or, "which will deliver us."
3. The "**wrath to come**" is not in reference to Hell, as they were already delivered from Hell; but, rather, to the Tribulation Period as stated in Revelation 6:17.

"For the great day of his WRATH is come; and who shall be able to stand?"

Therefore, the Christians that are alive at the Rapture will not go into the Tribulation, known as the "**day of his wrath.**" Notice the word "**us,**" which includes all Christians, the spiritual and the backslider. As many say, "The Church is not ruptured; but, raptured!"

4. The Church Is "Delivered" From Wrath (1 Thessalonians 5:9).

"For God hath not appointed us to wrath (Tribulation wrath, same as 1:10); but to obtain salvation (i.e., "deliverance") by our Lord Jesus Christ."

The Greek word for "salvation" is "*SOTERIA*" and denotes "deliverance, preservation, salvation." For example: In Acts 27:34, the word "health" is translated from the Greek "*soteria*." In other words, in Verse 33, we find the sailors had gone 14 days without eating. In Verse 34 Paul said,

"...take (or eat) some meat: for this is for your health, (i.e. "your deliverance)."

...from getting sick, or dying. Also, in Philippians 1:19, “salvation” should have been translated “deliverance,” since Paul was speaking about his deliverance from prison from where he had written to the Philippians. A literal translation of Verse 9 would read,

“For God hath not appointed us (Christians) to the wrath of the tribulation, but to obtain deliverance from it, when the Lord Jesus Christ comes for His Church.”

In 1 Thessalonians 4:13-18, we have the Rapture. Chapter 5 continues with Christ’s Return at the Rapture, assuring all Christians that they will be delivered from the Tribulation Period.

5. Spiritual and Carnal Christians Are Raptured At The Same Time!

The following Scriptures refute the erroneous and false teaching that only the spiritual Christians will be raptured; while the carnal Christians will have to go through the Tribulation.

We will continue, as we examine and analyze the next verse in 1 Thessalonians 5:10.

“Who died for us, that, whether we WAKE or SLEEP; we should live together with him (Christ).”

We will look at three important words in this verse.

a. **“Wake.”** It is the same Greek word “gregoreo” as translated “watch” in Verse 6.

“Therefore let us not sleep, as do others; but let us WATCH and be sober.” (1 Thessalonians 5:6)

b. **“Sleep.”** The Greek word for “sleep” in Verse 10 is the same as that for **“sleep”** in Verse 6.

“Therefore let us not SLEEP, as do others; but let us watch and be sober.” (1 Thessalonians 5:6)

Therefore, **“sleep”** is in reference to those Christians who are “lying down on the job” and not serving the Lord. Some perverted minds try to proclaim that **“sleep”** here is referring to “death.” If that were true—how would you “watch and be sober” if you were dead? Preposterous!

c. **“Together.”** The Greek word is “hama” and means “together at the same time.” (Vine’s Dictionary of New Testament Words).

Now, let us put Verse 10 together and write it out, including the meaning of each of the 3 words we have examined.

“Who died for us, that, whether we WAKE (watching and serving the Lord); OR, SLEEP (not serving the Lord), we should live TOGETHER (AT THE SAME TIME) with him (CHRIST).” (1 Thessalonians 5:10)

These Scriptures clearly set forth the truth that ALL Christians, those serving the Lord and those who are not, will be raptured together at the same time.

6. No Partial Rapture.

This is Satan's trickery to lead one to believe that you must suffer and/or have good works to complete God's salvation. One must remember that the **completion** of our salvation is **the redemption of our bodies at the Rapture!** Notice Romans 8:23,

“...even we ourselves groan within ourselves, waiting for the adoption, to wit, THE REDEMPTION OF OUR BODY.”

At the Rapture our salvation is completed. Those who have died receive their resurrected bodies from the grave; while those that are alive have their bodies transformed as they go up to be with the Lord.

“For our conversation is in heaven; from whence also we look for the Saviour, the Lord Jesus Christ: (V.20)

Who shall change our vile body, that it may be fashioned like unto his glorious body, according to the working whereby he is able even to subdue all things unto himself.” (Philippians 3:20,21)

The word “conversation” is the Greek “POLITEUMA” and means “citizenship.” It is said of the heavenly status of believers, and should have been translated as such.

Those who propagate a partial Rapture have succumbed to Satan's subtlety. (Genesis 3:1 and 2 Corinthians 11:3, 13-15). If Satan cannot convince you that good works are necessary for salvation; then, he will attempt, through his ministers, to convince you that those that are back-slidden must go into the Tribulation. All false teaching is satanically inspired!

Some that hold this view have told me that, this is to have them suffer for their disobedience and give them a chance to redeem themselves. Thus showing God they are really Christians by now being faithful while being persecuted. Sounds good—EXCEPT it contradicts God's Word!

This damnable philosophy denies the Judgment Seat of Christ for all Christians,

“For we must all appear before the judgment seat of Christ; that every one may receive the things done in his body, according to that he hath done, whether it be good or bad.” (2 Corinthians 5:10)

Therefore, they do not believe one is saved eternally; but, rather, must have good works in order to maintain their salvation. This is very cunning; as, they accuse God of being a liar and unfaithful to His Word when He promised the believers they would “never perish, but have everlasting life.” (John 3:16).

7. No Partial Rapture (1 John 3:2).

“Beloved, now are WE the sons of God, and it doth not yet appear what we shall be: but we know that, when he shall appear WE shall be like him; for WE shall see him as he is.”

The “we” is all-inclusive of the spiritual and the carnal Christian. No distinction between the two is made here.

8. No Partial Rapture (1 Corinthians 15:51).

“Behold, I shew you a mystery; We shall not all sleep, but WE shall ALL be changed.”

At the Rapture, ALL, or every Christian, whether serving the Lord; or not, will be changed, i.e., receive their glorified bodies. Notice the last 4 words in Verse 52,

“...and WE shall ALL be changed.”

The “WE” is all-inclusive of every Christian. Again, a partial Rapture philosophy disintegrates in the light of God’s Word.

9. No Partial Rapture (1 Thessalonians 4:17).

“Then WE which are alive and remain shall be caught up together with them in the clouds, to meet the Lord in the air; and so shall WE ever be with the Lord.”

Again, the Holy Spirit uses the word “WE.” This eliminates any distinction between the spiritual and carnal Christian; thus, illuminating the false teaching of a partial Rapture.

B. A Post-Tribulation Rapture Is Unscriptural and Unfounded In Scripture.

The word "post" means "after." Here are some final thoughts which seal the fate of the philosophy of a Post-Tribulation Rapture. Follow with me as we look at some basic facts:

1. All raptured Christians receive their glorified bodies (Romans 8:22,23; and 1 Corinthians 15:50-54).
2. There are no children born to glorified bodies. (Matthew 22:23-30)
3. All unsaved are cast into Hell before the 1,000 Year Kingdom Reign of Christ. (Revelation 19:11-21 and Matthew 25:41)

If the Rapture is post Tribulation, several problems arise with impossible solutions.

Where do the mortal bodies come from of those that are born during the Millennium and rebel at the conclusion of the Millennium? (Revelation 20:7-10). There would be no lost people alive to have children, so they cannot come from them. All of the saved have their glorified bodies. No children can be born to them as a result of a Post Tribulation Rapture

Remember; at the end of Christ’s 1,000 Year Reign there are unbelievers who will give their allegiance to Satan in an attempt to defeat Christ. (Revelation 20:7-10). How would they get their human bodies? Placing the Rapture at the end of the Tribulation and the start of the Millennium makes an impossible situation.

At the Rapture all Christians have their glorified bodies, which do not produce human beings. All the lost are cast into Hell at the end of the Tribulation Period. Therefore, the philosophy of a Post-Tribulation Rapture is impossible.

The Post-Tribulation Rapture philosophy also leads to other false doctrines. Colossians 2:8 is God’s warning concerning false teachers,

"Beware lest any man spoil you through PHILOSOPHY and vain deceit, after the traditions of men, after the rudiments of the world, and not after Christ." (Colossians 2:8)

Note. If Post-Tribulation Rapture were true; then, the last generation alive would be the only generation in over 2,000 years since the Church Age began to have to go through the Tribulation. Then, we would have to conclude that God is not a fair God.

Note. If the Rapture occurs at the conclusion of the Tribulation; then, why are we not told to be praying for "that blessed hope and glorious appearing of that blessed tribulation!" Yet, the Word of God tells us, in Titus 2:13, that the Christian is to be,

"Looking for that BLESSED HOPE, and the glorious appearing of the great God and our Saviour Jesus Christ."

C. Final Proof of a Pre-Tribulation Rapture.

In conclusion, we shall examine one more proof of a Pre-Tribulation Rapture as opposed to a Post-Tribulation Rapture. Our text is recorded in 2 Thessalonians 2:1-9.

"Now we beseech you, brethren, by the coming of our Lord Jesus Christ, and by our gathering together unto him, (V. 1)

That ye be not soon shaken in mind, or be troubled, neither by spirit, nor by word, nor by letter as from us, as that the day of Christ is at hand. (V.2)

Let no man deceive you by any means: for that day shall not come, except there come a falling away first, and that man of sin be revealed, the son of perdition; (V.3)

Who opposeth and exalteth himself above all that is called God, or that is worshipped; so that he as God sitteth in the temple of God, shewing himself that he is God. (V.4)

Remember ye not, that, when I was yet with you, I told you these things?(5)

And now ye know what withholdeth that he might be revealed in his time.(6)

For the mystery of iniquity doth already work: only he who now letteth will let, until he be taken out of the way. (V.7)

And then shall that Wicked be revealed, whom the Lord shall consume with the spirit of his mouth, and shall destroy with the brightness of his coming: (V.8)

Even him, whose coming is after the working of Satan with all power and signs and lying wonders, (2 Thessalonians 2:1-9)

D. Examination of 2 Thessalonians 2:3.

"Let no man deceive you by any means: for that day shall not come, except there come a falling away (departure) first, and that man of sin be revealed, the son of perdition." (2 Thessalonians 2:3)

We are now introduced to the Greek word, “apostasia,” which is translated as “falling away” in the King James Translation. The basic meaning of the word is “departure.” One cannot tell from the meaning of the word, itself, whether it is in reference to the departure, i.e., the Rapture of the Church; or, a “departure from the truth,” known as apostasy. “Apostasia” translated as “falling away” is quite misleading, as it does not incorporate the meaning “to fall” or “fell.”

For example, check Matthew 10:29 (“fall”); Matthew 17:6 (“fell”); John 18:6 (“fell”), etc. These are translated from the Greek word “pipto,” not “apostasia.” Therefore, only by the context in which “apostasia” occurs can it be determined if it is in reference to a departure from the faith; or, the departure of the Church from the world at the Rapture .

It should be noted, that to the best of my knowledge, all English translations prior to the King James Translation translated “apostasia” either as “departing” or “departure.” Also, the Bible known as the Vulgate, about 400 A.D., was Jerome’s Latin translation. Here Jerome uses the Latin word, “discessio,” meaning “departure” for “apostasia.”

With this in mind, one can see that this is in perfect harmony with Verse 1, which ascribes to the Rapture.

“Now we beseech you brethren, by the coming of our Lord Jesus Christ, and BY OUR GATHERING TOGETHER UNTO HIM.”

E. The Event of the Rapture.

This is the same as Paul had previously spoken about in 1 Thessalonians 4:17 concerning the Rapture.

“Then we which are alive and remain shall be CAUGHT UP together with them in the clouds, to meet the Lord in the air: and so shall we ever be with the Lord.” (1 Thessalonians 4:17)

In 1Thessalonians 4:13-17, Paul gives the principles of the Rapture; whereas, in 2 Thessalonians, Chapter 2, he gives the procedure concerning the Rapture, which is pre-tribulation.

May we make a few more observations which lead us to conclude that the word, “apostasia,” in 2 Thessalonians 2:3, is speaking of the Church departing from the Earth, raptured to meet her Savior in the clouds; and not a departure from the faith.

Notice in Verse 7,

“For the mystery of iniquity doth ALREADY WORK.”

Paul states that apostasy from the faith was already present.

1. Hymenaeus and Alexander were two of them. (1 Timothy 1:19,20).
2. There were false teachers of the law. (1 Timothy 1:4-7).
3. False teachings concerning the Resurrection. (2 Timothy 2:16-18).
4. Read Jude; 1 John 2:18; 2 Peter 2:1-3; 1 John 4:1-3.

...and we could go on and on.

In other words, from the time of the offspring of Adam and Eve, there has always been apostasy from the faith. To what do we attribute the Flood? In Israel there were the false prophets and priests. It was the same at the time of Christ and ever since, to the present. Therefore, it would be ludicrous to think that “apostasia” in 2 Thessalonians 2:3 was in reference to “apostasy from the faith;” when there has never been a time when apostasy has not been with us.

Therefore, how would the Thessalonians recognize any apostasy different from the apostasy that already existed and that has always existed in one way or another? From the context, itself, we know the “apostasia” in Verse 3 is not in reference to departure from the faith, already existent; but, rather, a departure of the Church from the world, or the Rapture. Apostasy already existed as stated in Verse 7,

“For the mystery of iniquity doth already work...”

We have the same false teachers today, advocating a Partial or a Post-Tribulation Rapture, as those believers in Thessalonica encountered over 1900 years ago. As we have stated previously, the Christian is admonished to be...

“Looking for that blessed hope, and the glorious appearing of the great God and our Savior Jesus Christ,” (Titus 2:13)

...NOT, “the blessed hope and glorious appearing of the Tribulation Period; i.e. the Day of God’s Wrath!

A final note. Many are not aware that the Roman Catholic Church does not believe in the Rapture. Also, the Evangelistic Lutheran Churches of America (ELCA); the Missouri Synod Lutherans and the Wisconsin Lutheran Synod deny four basic prophetic doctrines:

1. They deny the Rapture,
2. They do not believe in the Restoration of the Nation of Israel,
3. They deny the literal reign of Christ in his earthly Kingdom on Earth for 1,000 years.
4. Both organizations deny that faith in Jesus Christ and His payment for the sins of all mankind is not completely sufficient for the receiving eternal life. Christ’s last words on the Cross in John 19:30 were, “IT IS FINISHED. “Finished” is the Greek “teleo” and means “to bring to an end.” It is in the perfect tense, meaning that nothing can be added to it.

And, both organizations will tell you that Christ paid for our sins, thus, our salvation; BUT, Christ will not give you His salvation until you are baptized. I will let each organization speak for themselves.

First, I will quote from the official document of the Catholic organization, their Catechism. This is found on Page 312, # 1213. “Through baptism we are freed from sin and reborn as sons of God...Baptism is the sacrament of regeneration through water in the word.”

Second, Luther states in his Small Catechism, Page 16, and II. “What does Baptism give or profit? It works forgiveness of sins, delivers from death and the Devil, and gives eternal salvation to all who believe this...”

How did they come to these conclusions in denying major portions of the Word of God? Very simple. Their teachings were founded by a man named Martin Luther, who has been dead over 460 years! (Luther, 1483-1546). Maybe they are not familiar with the middle verse of the Bible, Psalm 118:8,

"It is better to trust in the LORD than to put confidence in man."

II. THE OLD TESTAMENT SAINTS DID NOT GO TO HEAVEN

During Old Testament times, the saved went to "Abraham's Bosom" (a Jewish term for Paradise) and the lost went to Torment, both located in the center of the Earth. Luke 16:19-31 describes the two places. Matthew's prophecy concerning Christ lets us know that Paradise was in the center of the Earth. In Luke 23:43, Christ is speaking to the thief next to Him, who had acknowledged Him as the Savior, said,

"Today shalt thou be with me in PARADISE."

Matthew 12:40 lets us know the location of Paradise,

"For as Jonas was three days and three nights in the whale's belly; so shall the Son of man be three days and three nights in the HEART OF THE EARTH."

After Christ's Resurrection He appeared to Mary and said,

"Jesus saith unto her, Touch me not; for I am not yet ascended to my Father: but go to my brethren, and say unto them, I ascend unto my Father, and your Father; and to my God, and your God." (John 20:17)

At this time Christ ascended to Heaven and anointed the Mercy Seat within the Holy Place with His own blood. Hebrews 9:12 states,

"But by his own blood he entered in once into the holy place, having obtained eternal redemption for us."

He then returned to Earth and walked 40 days before His final Ascension. (Acts 1:3, 9-11) At His Ascension, he emptied the saved out of Paradise in the heart of the Earth, taking them to Heaven with Him. Ephesians 4:8 makes this clear,

"Wherefore he saith, When he ascended up on high, he led captivity captive (those in Paradise), and gave gifts unto men."

Paradise is no longer in the center of the Earth, but is now in Heaven. This is revealed in 2 Corinthians 12:2,4 which describes a man,

"...such a one caught up to the third heaven. How that he was caught up into paradise..."

With this in mind we can understand what Christ meant in John 14:2 when he stated:

"In my Father's house (Heaven) are many mansions. If it were not so I would have told you. I go to prepare a place for you."

He didn't go to *build* the mansions. The use of the word "are" reveals the mansions were *already there*. He went to the Cross, shedding His sinless blood; then, ascending and anointing the Holy Place, thus preparing Heaven to receive the saved with His own blood. This is found in Ephesians 1:7,

"In whom we have redemption through His blood, the forgiveness of sins, according to the riches of his grace."

Now we, like Paul, can say

"We are confident, I say, and willing rather to be absent from the body, and to be present with the Lord." (2 Corinthians 5:8)

When a Christian dies, today, it is just "a change of atmosphere." The soul and spirit, the real "You," goes immediately to Heaven to be in the presence of the Lord. The body goes to the grave to await the Rapture. (1 Corinthians 15:51-53; 1 Thessalonians 4:13-18)

"Behold, I shew you a mystery; We shall not all sleep, but we shall all be changed, (V.51)

In a moment, in the twinkling of an eye, at the last trump: for the trumpet shall sound, and the dead shall be raised incorruptible, and we shall be changed. (V.52)

For this corruptible must put on incorruption, and this mortal *must* put on immortality." (1 Corinthians 15:51-53)

"But I would not have you to be ignorant, brethren, concerning them which are asleep, that ye sorrow not, even as others which have no hope. (V.13)

For if we believe that Jesus died and rose again, even so them also which sleep in Jesus will God bring with him. (V.14)

For this we say unto you by the word of the Lord, that we which are alive *and* remain unto the coming of the Lord shall not prevent them which are asleep. (V.15)

For the Lord himself shall descend from heaven with a shout, with the voice of the archangel, and with the trump of God: and the dead in Christ shall rise first: (V.16)

Then we which are alive *and* remain shall be caught up together with them in the clouds, to meet the Lord in the air: and so shall we ever be with the Lord. (V.17)

Wherefore comfort one another with these words." (1 Thessalonians 4:13-18)

Yes, we sorrow; but, not as others who have no hope of seeing their loved one again. For the Christian, it's not "Good Bye," but, "So long for a while."

III. YES, CHILDREN WILL GO AT THE RAPTURE!

This is a common question I have heard many times. When the Rapture comes, will all the children be taken also? Or will only the believer's children be taken? When Israel went into the Promised Land, the heathen's children were not spared.

First, it should be realized that children fall into two groups. Those who have not reached the age mentally to be accountable to God who, should they die, would go to Heaven. In Luke 18:15, 16 we are told,

"They brought unto him also INFANTS...", and Christ said, "...for OF SUCH is the kingdom of God."

The age of accountability of a child is known only to God, and varies with the child. Should a baby die now, it is part of the body of Christ, just as it is while living.

I Corinthians 15:50,51, in speaking of the Rapture says,

"Now this I say brethren, that flesh and blood cannot inherit the kingdom of God; neither doth corruption inherit incorruption. Behold, I shew you a mystery; We shall not all sleep (die), but we shall ALL be changed."

The "all" would include even babies who are also part of the body of Christ. Those children, the second group, that are of the age of accountability will be left behind.

The children of the heathen parents whom God had ordered the Israelites to kill, who were under the age of accountability, upon death would enter the kingdom of God. Had God allowed them to continue, they would have been taught to worship other Gods as their heathen parents did. Thank God for His wisdom and grace. God allowed the children to die, so they could live with Him eternally in His kingdom; instead of allowing the parents to raise them as heathen, destined for an eternal Hell. Sometimes it helps to look at things through God's eyes, instead of our own.

You may want to get our book *Three Important Questions*, containing a chapter entitled "Is God Unfair To The Heathen?" This small book answers a lot of questions, and you can download the .pdf file for free on our website, <http://www.heritagebbc.com>.



This is a Harpy Eagle, a member of the Raptor Family, giving a "demonstration" of what the Greek word "HARPAZO" means by being "raptured, or snatched away, forcibly and suddenly." This is the largest and most powerful raptor found in the Americas, and among the largest of living species of eagles in the world.

10. Harpy Eagle, Demonstrating the Word "Harpazo."

IV. THE RAPTURE DEFENDED

A. 1 Thessalonians 4:14-17.

This meeting will take place in the air; and involves only Christians.

"For if we believe that Jesus died and rose again, even so them also which sleep (have died) in Jesus will God bring with him. (V. 14)

For this we say unto you by the word of the Lord, that we which are alive and remain unto the coming of the Lord shall not prevent them which are asleep. (V. 15)

For the Lord himself shall descend from heaven with a shout, with the voice of the archangel, and with the trump of God: and the dead in Christ shall rise first: (V. 16)

Then we which are alive and remain shall be CAUGHT UP TOGETHER with them in the clouds, to meet the Lord in the air: and so shall we ever be with the Lord. (V. 17)"

In Verse 17, "caught up" is the Greek, "HARPAZO," and clearly means "to be raptured, or snatched away, forcibly and suddenly." This verb has various meanings according to the context in which it is used. Therefore, it is not translated by only one, uniform, English word. Here are some of the meanings indicated by the context of Scripture.

1. "Catch up, or away."
2. Rapture by force of Divine power.
3. Swiftly removed by force from one place to another.

B. Proof by Scripture References.

1. **John 10:28, 29.** (translated "pluck") from the Greek "HARPAZO."

"And I give unto them eternal life; and they shall never perish, neither shall any man **PLUCK** them out of my hand. (28) My Father,

which gave them me, is greater than all; and no man is able to PLUCK them out of my Father's hand." (John 10:28-29)

2. **John 6:15.** (Translated "take by force") from the Greek "HARPAZO."

"When Jesus therefore perceived that they would come and TAKE HIM BY FORCE, to make him a king, he departed again into a mountain himself alone." (John 6:15)

3. **Acts 8:39.** Ref. Philip (translated "caught away") from the Greek "HARPAZO."

"And when they were come up out of the water, the Spirit of the Lord CAUGHT AWAY Philip, that the eunuch saw him no more: and he went on his way rejoicing." (Acts 8:39)

4. **2 Corinthians 12:2,4.** Paul (translated "caught up") to Paradise, from the Greek "HARPAZO."

"I knew a man in Christ above fourteen years ago, (whether in the body, I cannot tell; or whether out of the body, I cannot tell: God knoweth;) such an one CAUGHT UP to the third heaven." (2 Corinthians 12:2)

"How that he was CAUGHT UP into paradise, and heard unspeakable words, which it is not lawful for a man to utter." (2 Corinthians 12:4)

5. **1 Thessalonians 4:17.** Rapture (translated "caught up") (force exercised suddenly) from the Greek "HARPAZO."

"Then we which are alive and remain shall be CAUGHT UP together with them in the clouds, to meet the Lord in the air: and so shall we ever be with the Lord." (1 Thessalonians 4:17)

6. **Matthew 11:12.** (Translated "take by force") from the Greek "HARPAZO."

"And from the days of John the Baptist until now the kingdom of heaven suffereth violence, and the violent TAKE IT BY FORCE." (Matthew 11:12)

7. **Acts 23:10.** (Translated "take by force") ref. Paul, from the Greek "HARPAZO."

"And when there arose a great dissension, the chief captain, fearing lest Paul should have been pulled in pieces of them, commanded the soldiers to go down, and to TAKE HIM BY FORCE from among them, and to bring him into the castle." (Acts 23:10)

8. **Acts 1:11.** (Translated "taken up") ref. Christ, from the Greek "HARPAZO"

"Which also said, Ye men of Galilee, why stand ye gazing up into heaven? this same Jesus, which is TAKEN UP from you into heaven, shall so come in like manner as ye have seen him go into heaven." (Acts 1:11)

C. All Go At The Rapture.

1. **1 Thessalonians 1:10.** "wrath to come" (Tribulation; also, Revelation 6:16,17. All who have trusted in the Lord Jesus Christ as their Savior are "**delivered from the wrath to come.**")

"And to wait for his Son from heaven, whom he raised from the dead, even Jesus, which delivered us from the WRATH TO COME." (1 Thessalonians 1:10)

"And said to the mountains and rocks, Fall on us, and hide us from the face of him that sitteth on the throne, and from the WRATH OF THE LAMB:" (V. 16) For the great DAY OF HIS WRATH Is come; and who shall be able to stand?" (Revelation 6:16-17)

2. **1 Thessalonians 5:4-11.** Whether serving the Lord; or, not serving the Lord, all Christians go at the Rapture.

"But ye, brethren, are not in darkness, that that day should overtake you (brethren) as a thief. (V. 4)

Ye are all the children of light, and the children of the day: we (Christians) are not of the night (V. lost), nor of darkness. (V. 5)

Therefore let us not sleep ("lie down on the job"), as do others; but let us watch (be vigilant) and be sober(watchful). (V. 6)

For they (the lost) that sleep sleep in the night; and they that be drunken are drunken in the night. (V. 7)

But let us (brethren), who are of the day (Christians), be sober, putting on the breastplate of faith and love; and for an helmet, the hope of salvation. (V. 8)

For God hath NOT APPOINTED US TO WRATH, but to obtain salvation by our Lord Jesus Christ, (V. 9)

Who died for us, that, whether we wake (are serving) or sleep (lying down on the job), we should live together (Greek "hama, at the "same" time) with him. (V. 10)

Wherefore comfort yourselves together, and edify one another, even as also ye do." (1 Thessalonians 5:4-11)

3. **1 Thessalonians 4:14-18.** In reference to the resurrection, it is always of the body; as the soul and spirit never die. The soul and spirit is the real "You," and is already in Heaven.

"...whilst we (our soul and spirit) are at home in the body (alive here on earth), we are absent from the Lord (not in Heaven):"- 2 Corinthians 5:6

"We are confident, I say, and willing rather to be absent from the body, and to be (soul and spirit) present (in Heaven) *with the Lord.*" (2 Corinthians 5:8)

Returning to our text, which is 1 Thessalonians 4:14-18.

"For if we believe that Jesus died and rose again, EVEN SO THEM ALSO WHICH SLEEP IN JESUS WILL GOD BRING WITH HIM. (V.14)

For this we say unto you by the word of the Lord, that we which are ALIVE *and* remain unto the coming of the Lord shall not PREVENT them which are asleep. (V.15)

For the Lord himself shall descend from heaven with a shout, with the voice of the archangel, and with the trump of God: and the dead in Christ shall rise first: (V.16)

Then we which are ALIVE *and* remain shall be caught up together with them in the clouds, to meet the Lord in the air: and so shall we ever be with the Lord. (V.17)

Wherefore COMFORT ONE ANOTHER with these words." (1 Thessalonians 4:14-18)

- a. **Verse 14.** All dead bodies of the saved are resurrected; whether spiritual or carnal when alive.
- b. **Verse 15.** "Alive" (no difference between carnal and spiritual Christians.
- c. **Verse 15.** "Prevent" is Greek "PHTHANO" and means "precede."
- d. **Verse 17.** All Christians **alive** (spiritual and carnal).
- e. **Verse 18.** Is comfort for the Christian. Verse 13 tells us, there is no comfort for the lost, who have no hope; or, "Blessed Hope!"

"But I would not have you to be ignorant, brethren, concerning them which are asleep, that ye sorrow not, even as others which have no hope (died in unbelief)." (1 Thessalonians 4:13)

4. 1 Corinthians 15:51-53.

"Behold, I shew you a mystery; We shall not all sleep, but we shall ALL BE CHANGED, (V.51)

In a moment, in the twinkling of an eye, at the last trump: for the trumpet shall sound, and the DEAD SHALL BE RAISED INCORRUPTIBLE, and we shall be changed. (V.52)

For this corruptible must put on incorruption, and this mortal *must* put on immortality." -1 Corinthians 15:51-53

- a. **Verse 51.** "All be changed."
- b. **Verse 52.** "Dead bodies raised incorruptible." (all)
- c. **Verse 53:**
 - (1). "...for this corruptible" (Dead bodies.)
 - (2). "...must put on incorruption." (Bodies that can never decay.)

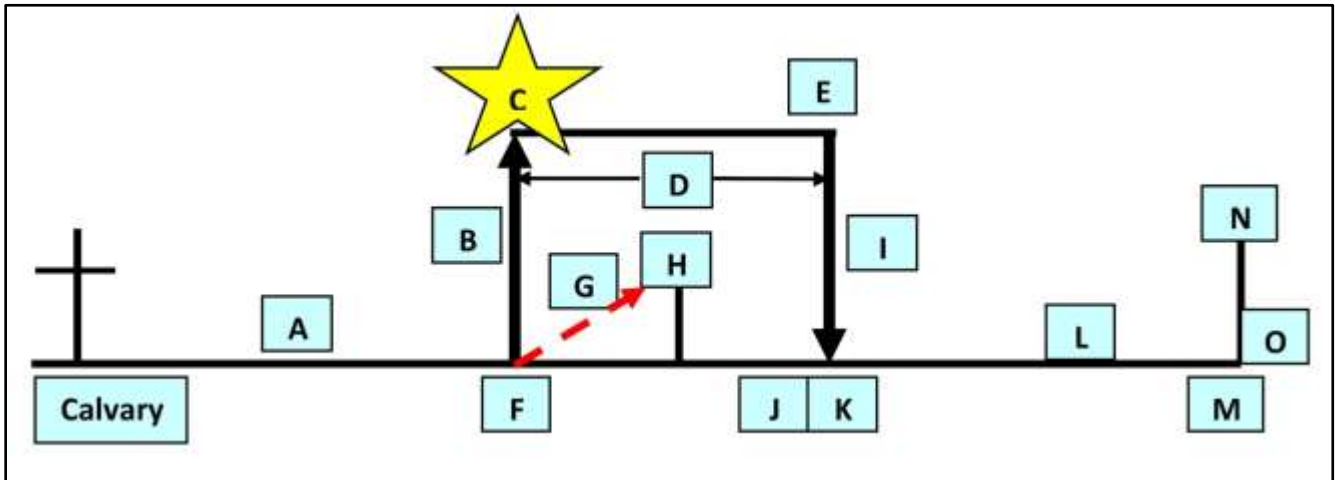
(3). "**...and this mortal**" (Those that are alive.)

(4). "**...must put on immortality.**" (Bodies that will never taste death.)

No distinction is made between spiritual and carnal Christians.

Note: Harpy Eagles belong to the bird of prey family identified by the term "raptor," derived from the Latin root verb "rapio," (meaning to seize or take by force). This is descriptive of the way these large birds swoop down out of the sky and suddenly seize their unsuspecting prey. In the Latin Vulgate Bible, the Greek word "HARPAZO," or "caught up" in 1 Thessalonians 4:17, was translated by the Latin scholar, Jerome, into the Latin verb RAPIEMUR, derived from the root verb, rapio. As we said, "meaning to seize or take by force."

Those who claim "Rapture" is not in the Bible are those infidels who do not believe in the Rapture. They should study their Bible, instead of blowing out hot air!



THE JUDGMENT SEAT OF CHRIST: STAR "C"

I. THE SCRIPTURE

"For other foundation can no man lay than that is laid, which is Jesus Christ. (V.11)

Now if any man build upon this foundation gold, silver, precious stones, wood, hay, stubble; (V.12)

Every man's work shall be made manifest: for the day shall declare it, because it shall be revealed by fire; and the fire shall try every man's work of what sort it is. (V.13)

If any man's work abide which he hath built thereupon, he shall receive a reward. (V.14)

If any man's work shall be burned, he shall suffer loss: but he himself shall be saved; yet so as by fire. " (1 Corinthians 3:11-15)

A. 1 Corinthians 3:11, "For Other Foundation Can No Man Lay..."

"For other foundation can no man lay than that is laid, which is Jesus Christ."

This judgment is pertaining to Christians only. Since this judgment takes place in Heaven after the Rapture, only the saved are in Heaven, not the lost. Only the Christian builds on the Foundation of Christ, not the lost.

1. Many have wondered, Will they be judged for the sins they have committed prior to being saved? The answer is "No." It is made clear from 2 Corinthians 5:17,

"Therefore if any man be in Christ, he is a new creature: old things are passed away; behold, all things are become new." - 2 Cor. 5:17

2. The word "CREATURE" is the Greek "KTISIS," used here as a noun. Its primary meaning is that of creating; whether it be of the world, building, people, or etc.; depending on the

context. Here it should have been better translated as "creation." Notice the word "NEW," which is the Greek "KAINOS" and which has reference to a new time, a new nature, which equals a new person spiritually.

3. Prior to being saved, humanity was identified and labeled as stated in 1 Corinthians 2:14,

"But the natural man receiveth not the things of the Spirit of God: for they are foolishness unto him: neither can he know them, because they are spiritually discerned." (1 Corinthians 2:14)

At the moment a person accepts Jesus Christ as their Savior, they are indwelt with the Holy Spirit, as stated in Ephesians 1:13,

"In whom ye also trusted, after that ye heard the word of truth, the gospel of your salvation: in whom also after that ye believed, ye were sealed with that holy Spirit of promise,"

4. Now that the person, at a new time (i.e., accepted Christ as Savior) became a new creation (now indwelt with the Holy Spirit), and will never be confronted with any of their sins prior to being saved. 2 Corinthians 5:17b substantiates this,

"...old things are passed away; behold, all things are become new. (2 Corinthians 5:17b"

- a. **"old things"** (all sins prior to Salvation.
- b. **"are passed away"** (basically, the Greek means to: "pass by, pass away, perish, disregard, and etc.
- c. **"all things become new"** (all things become new in God's eyes, as He keeps account of your life, from the time you were saved, until you leave this Earth via death or the Rapture; but, never the past.

"As far as the east is from the west, so far hath he removed our transgressions from us." (Psalm 103:12

"He will turn again, he will have compassion upon us; he will subdue our iniquities; and thou wilt cast all their sins into the depths of the sea." (Micah 7:19

B. 1 Corinthians 3:12, "Now If Any Man Build Upon This Foundation..."

"Now if any man build upon this foundation gold, silver, precious stones, wood, hay, stubble;"

The **"gold, silver, precious stones"** are characteristic of how you used your faithfulness, abilities and life for the Lord. The words **"wood, hay, and stubble"** are representative of our unfaithfulness to the Lord.

This involves a tremendous battle between the old Adamic nature we inherited at birth; and our new nature, the Holy Spirit. Each one will attempt to control your life. This fact is made crystal clear in Galatians 5:16,17,

"This I say then, Walk in the Spirit, and ye shall not fulfill the lust of the flesh. (V.16)

For the flesh lusteth against the Spirit, and the Spirit against the flesh: and these are contrary the one to the other: so that ye CANNOT do the things that ye would."

Notice the word "CANNOT" in Verse 17. This is a mistranslation. The Greek is "ME," pronounced "may." It is a prime particle of qualified negation; which means it is not an absolute. It should have been translated as "('should not') **do the things that ye would...**"; by the old nature. Now, when the word cannot is used as an impossibility, a different Greek word is used; which is "ouch." This is demonstrated in 1 Corinthians 15:50,

"Now this I say, brethren, that flesh and blood (our human bodies) cannot (Gr. "ouch" (absolutely cannot) inherit the kingdom of God; neither doth corruption inherit incorruption."

Galatians 3:17 is another example of "ouch" as an absolute. The reason I brought this out is that the Pentecostals use the same verse in Galatians 5:17, saying "If you are really saved, you will not want to; nor, will you sin anymore." This is a Satanic teaching.

This mistranslation of "cannot" in Galatians 5:17 is the difference between a true and a false doctrine. In other words, if a Christian could never sin after they are saved; then how did they produce the wood, hay and stubble, and the loss of rewards at the Judgment Seat of Christ?

2 Timothy 2:20 also accentuates the Judgment Seat of Christ.

"But in a great house there are not only vessels of gold and of silver, but also of wood and of earth; and some to honour, and some to dishonour."

C. 1 Corinthians 3:13, "Every man's work shall be made manifest..."

"EVERY MAN'S WORK shall be made manifest: for the day shall declare it, because it shall be revealed by FIRE; and the FIRE shall try every man's work of what sort it is."

1. Notice "**Every man's work**" (i.e., good and bad) **shall be made manifest.**" The Greek for "manifest" is "PLENEROS," and means "visible, known, openly, etc. This would be contradictory to those who claim this is only a rewarding stand and that the details of the loss of rewards will not surface!

2. Notice the word "**fire.**" It is the Greek word "pur" and used as a noun. Besides its ordinary, natural significance as fire, it is also used to represent the absolute Divine Holiness and Righteousness of God's judgment.

I remember years ago when our pastor, Dr. Thomas Duff, who had lived in Middletown, Ohio, where there were iron refineries. In one of his illustrations, he told how the raw stock was heated to a high degree until it liquefied, and the impurities came to the top to be removed.

Since God is not a "respector of persons" (Acts 10:34), He will also bring to the surface the impurities of a Christian's life; which are valued as "loss of rewards."

3. Notice the words "**of what sort it is.**" It literally means, the good and bad works; this is self-explanatory.

D. 1 Corinthians 3:14, "If Any Man's Work Abide..."

"If any man's work abide which he hath built thereupon, he shall receive a reward."

The rewards will vary as 1 Corinthians 3:8 states,

"Now he that planteth and he that watereth are one: and every man shall receive his own reward according to his own labour."

Christians will be servants of Christ within the thousand-year earthly reign of Christ. Many Christians will be busy with many ways to serve during this time. Others will standing around, doing nothing but watching from the sidelines, just as they did on Earth.

The saying on Earth is, "There are Christians who make things happen; there are Christians who watch things happen; and, then there are Christians who have no idea what is happening!"

E. 1 Corinthians 3:15, "If Any Man's Work Shall Be Burned..."

"If any man's work shall be burned, he shall suffer loss: but he himself shall be saved; yet so as by fire."

1. This verse is proof of God's Divine righteousness of His Word. Here, for example, is a Christian in Heaven with hardly any good works. He lived his life for, "**the lust of the flesh, and the lust of the eyes, and the pride of life.**" (1 John 2:16). BUT, he is still saved; or he would not be in Heaven at this judgment!

2. There are those self-righteous fools who laugh and denounce "Once saved, always saved!" In doing so, they accuse God of being a liar; and, justifying themselves by relying on good works for Salvation. They contradict themselves by saying they believe you are saved by grace through faith; BUT, if you do no display good works after you are saved, you will lose your Salvation.

The problem is, if you lose your Salvation through lack of good works, then the only way to get it back the second time is by earning it with good works. In other words, in their minds, you got Salvation the first time as a gift from God. Now, the second time you have to work before you get it back. Satan loves these false teachers, as God exposes them in 2 Corinthians, Chapter 11, Verses 3 and 13,

"But I fear, lest by any means, as the serpent beguiled Eve through his subtilty, so your minds should be corrupted from the simplicity that is in Christ. (2 Corinthians 11:3)

For such are false apostles, deceitful workers, transforming themselves into the apostles of Christ. (V.13)

And no marvel; for Satan himself is transformed into an angel of light. (V.14)

Therefore it is no great thing if his ministers also be transformed as the ministers of righteousness; whose end shall be according to their works." (2 Corinthians 11:13-15)

F. God's Will For the Christian "In a Nutshell."

"For the grace of God that bringeth salvation hath appeared to all men, (v.11)

Teaching us that, denying ungodliness and worldly lusts, we should live soberly, righteously, and godly, in this present world; (V.12)

Looking for that blessed hope, and the glorious appearing of the great God and our Saviour Jesus Christ; (V.13)

Who gave himself for us, that he might redeem us from all iniquity, and purify unto himself a peculiar people, zealous of good works." (Titus 2:11-14)

Jim Elliot, one of the five missionaries to the Auca Indians in Ecuador, who was killed, said before his death.

"He is no fool to give what he cannot keep to gain what he cannot lose."

Remember, your life is precious to the Lord. Don't waste it. It is the only one you have down here!

Only one life, yes only one,
Now let me say," Thy will be done";
And when at last I'll hear the call,
I know I'll say "T'was worth it all";
Only one life, t'will soon be past,
Only what's done for Christ will last."
By C.T. Studd

G. 2 Corinthians 5:9-10, All Christians Will Be There.

"Wherefore we labour, that, whether present or absent, we may be ACCEPTED of him. (V.9)

FOR WE MUST ALL appear before the judgment seat of Christ; that every one may receive the things done in his body, according to that he hath done, whether it be good or bad." (V.10)

1. "**accepted**" in Verse 9 is the Greek word "EUARESTOS. "The "EU" is (well) and "ARESTOS" means (pleasing); therefore, "well-pleasing." This labor instills a mental peace and rest which is described in Matthew 11:29,

"Take my yoke upon you, and learn of me; for I am meek and lowly in heart: and ye shall find REST unto your souls."

Most people appreciate being recognized for the nice things they do for others. Our wonderful Savior, the Lord Jesus Christ, also lets His children know that they will be rewarded for their faithfulness and labor for Him; as **"it is not in vain."**

"But thanks be to God, which giveth us the victory through our Lord Jesus Christ. (V. 57)

Therefore, my beloved brethren, be ye stedfast, unmoveable, always abounding in the work of the Lord, forasmuch as ye know that your labour is not in vain in the Lord." (1 Corinthians 15:57-58)

2. Satan's crowd sometimes will use Verse 9, by saying you must have good works by laboring for the Lord to inherit eternal life. This is easily refuted by the fact that this judgment takes place after the Rapture, in Heaven.

Therefore, the **"we must all"** includes the spiritual and carnal, **"whether it be good or bad."** (V.10). In other words, how could the "bad" be in Heaven, if it takes good works to get there, as these false teachers proclaim.

"Jesus saith unto him, I am the way, the truth, and the life: no man cometh unto the Father, but by me." (John 14:6)

We only go to our Father in Heaven by Christ and His payment for our sins on the Cross. Therefore, contradicting Satan's crowd who are projecting a counterfeit of self-righteousness of works.

Christ encountered the same "Pharisees" as the Christians faces today. Here is Christ's rebuke to these heretics.

"And he (Christ) spake this parable unto certain (Pharisees) which trusted in themselves that they were righteous, and despised others: (Luke 18:9)

And he (Christ) said unto them (Pharisees), Ye are they which justify yourselves before men; but God knoweth your hearts: for that which is highly esteemed among men is abomination in the sight of God." (Luke 16:15)

H. Romans 14:10-12, "...For We Shall All Stand At the Judgment Seat of Christ."

At the Judgment Seat of Christ, every knee SHALL bow and every tongue SHALL confess and SHALL give account of himself to God.

"But why dost thou judge thy brother? or why dost thou set at nought thy brother? for we shall ALL stand before the judgment seat of Christ. (V.10)

For it is written, As I live, saith the Lord, every knee SHALL bow to me, and every tongue SHALL confess to God. (V.11)

So then every one of us SHALL give account of himself to God."
(Romans 14:10-12)

1. Notice the word "**ALL**" in Verse 10. No Christian can escape this judgment, as it includes the faithful and the unfaithful; as they have lived their lives after they were saved.

2. Notice the word "**SHALL**" which appears twice in Verse 11 and once in Verse 12. In other words, we have no choice; as you and I will stand before Christ face to face.

3. I have heard and was taught by some that the Judgment Seat of Christ is from the Greek word, "BEMA," meaning "a rewarding stand, or a place of receiving rewards. "Therefore," they say, "We will not be embarrassed by any of the known acts we have done to suffer loss of rewards." I wish this were true; but, I am afraid it is not! In Romans 14:12 we read...

So then every one of us shall give ACCOUNT of himself to God.

Notice the word "ACCOUNT." It is the Greek word "LOGOS." Its meaning is (a word, or saying, also means "an account which one gives by word of mouth.") It also denotes the expression of thought—not the mere name of an object.” ((Vines Expository Dictionary of New Testament Words).

It appears from the meaning of the word "account," that there will be an exchange of words between our Savior and His children at this judgment for rewards; or, loss of rewards. It will be wonderful to be rewarded for our faithfulness and dedicated service to Him.

On the other hand, it could be embarrassing, should one be addressed about their sins of omission. Why didn't I do the things I had an opportunity to do for the Lord? The Lord may respond by handing me a record for the hundreds of excuses I have given him; which were of no value, except LOSS OF REWARDS.

Then there are the sins of commission. That is, those things that I did that I knew were wrong. All of us will be guilty of some; and some Christians will be guilty of many. I would not be surprised if our wonderful Savior would not remind us of what He has written in James 4:17,

"Therefore to him that knoweth to do good, and doeth it not, to him it is sin."

I am quite sure every Christian will have to forfeit some rewards because of this verse.

Our Savior, who is the Master Teacher; also used the Greek word "LOGOS," for our English word "account" in "The Parable of the Unjust Steward"; which begins in Luke 16:1,2,

"And he (Christ) said also unto his disciples, There was a certain rich man, which had a steward; and the same was accused unto him that he had wasted his goods. (V.1)

And he called him, and said unto him, How is it that I hear this of thee? give an account (Gr. Logos) of thy stewardship; for thou mayest be no longer steward. " (Luke 16:1-2)

4. The Greek word "LOGOS" is also translated as an object, that object being the Divine God and the Divine Son, Jesus Christ, as seen in John 1:1,

"In the beginning was the Word (Gr. Logos), and the Word (Gr. Logos) was with God, and the Word (Gr. Logos) was God."

In John 1:14, God became flesh in the Person of Jesus Christ.

"And the Word (Gr. Logos) was made flesh, and dwelt among us, (and we beheld his glory, the glory as of the only begotten of the Father,) full of grace and truth."

This title is also used in 1 John 5:7, in documenting the Trinity.

"For there are three that bear record in heaven, the Father, the Word (Gr. Logos), and the Holy Ghost: and these three are one."

"God" is the Hebrew, "Elohim," meaning three or more. In other words, the Father, Son, and Holy Spirit are one. A complimentary verse in the Old Testament to 1 John 5:7 is found in Deuteronomy 6:4,

"Hear, O Israel: The LORD our God is one LORD:"

In other words, "...The LORD (Jehovah, singular) our God (Elohim, three) is one LORD (singular, Jehovah):" This is, therefore, the Trinity: God, the Father, Son, and the Holy Spirit.

Notice in Genesis 1:1, "**In the beginning God** (Heb. Elohim, three) **created...**" This is the Trinity.

a. God, the Father created:

In the beginning God created the heaven and the earth. (Genesis 1:1)

b. Christ, the Son, created:

"The same was in the beginning with God. (V.2) All things were made by him; and without him was not any thing made that was made." (John 1:2-3)

c. The Holy Spirit created:

"And the earth was without form, and void; and darkness was upon the face of the deep. And the Spirit of God moved upon the face of the waters." (Genesis 1:2)

I. God's Will For His Children.

God's will for His children is that He wants them to not be ashamed of Him.

"Wherefore God also hath highly exalted him, and given him a name which is above every name: (V.9)

That at the name of Jesus every knee SHOULD bow, of things in heaven, and things in earth, and things under the earth; (V.10)

And that every tongue SHOULD confess that Jesus Christ is Lord, to the glory of God the Father." (Philippians 2:9-11)

1. Notice the word "**SHOULD**," which is from the Greek "MELLO." It is the same Greek word that is translated "**SHALL**" three times in Romans 14:11,12. The Greek word "MELLO" is used in various ways, depending upon the context. For example, it may be used to show free will, purpose, certainty, compulsion, or necessity; as the context requires.

Since Romans 14:11,12 is speaking of the Judgment Seat of Christ where every Christian will be present; therefore, the word "SHALL" is used showing the absolute certainty that all Christians will be present, according to the context, whether they want to or not!

In other words, you would not translate "MELLO" as "should"; as, this would leave it up to the free will of the Christian whether they would be there or not. This would contradict the context of Scripture.

Notice Philippians 2:10 ("**That at the name of Jesus every knee should bow...**" "BOW" here is the Greek word "KAMPTO," and literally means (to bend). In the spiritual sense, you are bending your knee and bowing in adoration and exaltation of your Savior, Jesus Christ. Therefore, the Greek word, "MELLO," is translated properly as "should"; as the Christian has the free will to serve the Lord; or, not to serve the Lord.

a. "**...of things in heaven...**" (Revelation 4:8,9)

The Seraphims:

"And the four beasts had each of them six wings about him; and they were full of eyes within: and they rest not day and night, saying, Holy, holy, holy, Lord God Almighty, which was, and is, and is to come. (V.8)

And when those beasts give glory and honour and thanks to him that sat on the throne, who liveth for ever and ever," (Revelation 4:8-9)

These are the Seraphims of Isaiah 6:2,6; some of God's heavenly, angelic creatures.

b. "**The Four and Twenty Elders**" in Heaven. (Revelation 4:10,11)

"The four and twenty elders fall down before him that sat on the throne, and worship him that liveth for ever and ever, and cast their crowns before the throne, saying, (V.10)

Thou art worthy, O Lord, to receive glory and honour and power: for thou hast created all things, and for thy pleasure they are and were created." (Revelation 4:10-11)

c. "**...and things in earth.**" It would be wonderful if every Christian had the same attitude as the Apostle Paul.

"For I am not ashamed of the gospel of Christ: for it is the power of God unto salvation to every one that believeth; to the Jew first, and also to the Greek." - Romans 1:16

- d. **"and things under the earth."** These are those in the Torment of Hell (Gr. Hades) in the center of the Earth. They will remain there until they are brought up and join the Unsaved at the Great White Throne Judgment, at the end of the Millennium; where all the Lost will be cast into the Lake of Fire for eternity. This is the Second Death.

"And death and hell (Gr. Hades) were cast into the lake of fire. This is the second death." (Revelation 20:14)

Those in Hell should bow in acknowledgment that they put themselves there, not God. Now living the torments of Hell, how could they not remember the many times they had been witnessed to? There will be some who will curse God for all eternity in torment. There will be others that will remember that God loved them and gave His only begotten Son, Jesus Christ, to pay for their sins. They will be honest enough not to blame God for their demise. Some will acknowledge they are there of their own free will; by their own free will of choice, to believe or not believe. They made the wrong choice!

"He that believeth on the Son hath everlasting life: and he that believeth not the Son shall not see life; but the wrath of God abideth on him." (John 3:36)

II. WILL WE HAVE A NEW NAME IN GLORY?

Will we have a new name in Heaven, unknown to us now; or will we maintain our earthly name in Heaven and through eternity? The verse responsible for raising this question is found in Revelation 2:17,

"He that hath an ear, let him hear what the Spirit saith unto the churches; To him that overcometh will I give to eat of the hidden manna, and will give him a white stone, and in the stone a new name written, which no man knoweth saving he that receiveth it."

I believe the best way to understand this verse is to correlate each aspect of this verse with other Scripture. Therefore, we will examine each section of the verse; and, in so doing, gain a the whole picture of what the verse is presenting to us as Christians; which will answer the initial question.

- A. **"To him that overcometh"** The overcomer is a Christian who, by faith, has trusted Jesus Christ as their Savior. 1 John 5:4,5 explains the word "overcometh."

"For whatsoever is born of God OVERCOMETH the world: and this is the victory that overcometh the world, even our faith. Who is he that overcometh the world, but he that believeth that Jesus is the Son of God."

- B. **"Eat of the hidden manna"** The manna that sustained Israel in the wilderness is a type of the Lord Jesus Christ and His word. John 6:32, 33, 35 clarifies this:

"Then Jesus saith unto them,...Moses gave you not that bread from heaven; but my Father giveth you the true bread from heaven. (V. 32)

For the bread of God is he (Christ) which cometh down from heaven, and giveth life unto the world." (V. 33)

And Jesus said unto them, I am the bread of life: he that cometh to me shall never hunger; and he that believeth on me shall never thirst." (V. 35)

Christians feast on the word of God as a source of knowledge, strength, and growth. They love and desire the Word of God. On the other hand, there are those who have no desire for spiritual truth; therefore, God's Word, the Bible, is of no interest whatsoever to them. Matthew 13:15 explains why the word of God, or manna, is hidden from many.

"For this people's heart is waxed gross, and their ears are dull of hearing, AND THEIR EYES THEY HAVE CLOSED; lest at any time they should see with their eyes, and hear with their ears, and should understand with their heart, and should be converted (change their thinking), and I should heal them."

C. "And will give him (the Christian) a white stone."

1. The white stone represents the Lord Jesus Christ. White is showing us His sinlessness. In Matthew 27:19, Pilate's wife said,

"...Have thou nothing to do with that JUST MAN..."

(This is probably one time he should have listened to his wife!) Pilate himself stated three times,

"...I find NO FAULT IN HIM..." (John 18:38; 19:4,6)

Judas himself declared in Matthew 27:4,

"...I have betrayed the INNOCENT BLOOD (i.e., Christ)..."

Jesus said of Himself that He is the Stone that Israel rejected, in Matthew 21:42.

"Jesus saith unto them, Did ye never read in the scriptures (Ps. 118:22), The stone (Christ) which the builders (Israel) rejected, the same is become the head of the corner..."

2 Corinthians 5:21 clearly states,

"For he hath made him (Christ) to be sin for us, WHO KNEW NO SIN; that we might be made the righteousness of God in him."

2. Remember, this whole verse is in reference to our salvation. Now, a promise is given in Revelation 3:5 to those that are saved (i.e. the overcomers).

"He that overcometh, the same shall be clothed in WHITE RAIMENT; and I will not blot out his name out of the book of life..."

“**Shall be**” is future tense, letting us know that we will receive this white robe upon entering our home in Heaven. The white robe is a testimony that I am here because of the righteousness of Jesus Christ and not because of my own works.

“For by grace are ye saved through faith; and that not of yourselves: it is the gift of God: Not of works, lest any man should boast.” – Ephesians 2:8,9

D. “**In the stone a new name written.**” Some have wondered if they will have a different name when they enter Heaven. The answer is “No.” You will be known in Heaven by the same name as you are known on Earth. In Matthew 17:3, at the Transfiguration, you will recall that,

“...there appeared unto them Moses and Elias talking with him (Christ).”

Moses and Elijah had died hundreds of years earlier; but, now appearing at the Transfiguration, they are still known by their earthly names.

In Luke 16:19-31 we have the literal account of the death of Lazarus who was saved, and a rich man who was lost. Lazarus was taken to Paradise (Abraham’s Bosom) and the lost man to Torment. Between the two was a great gulf making it impossible for the man in Torment to get to the Paradise side.

As you read this account, notice that the lost man is speaking to Abraham, who physically died hundreds of years before. But...Abraham is still known as Abraham on into eternity and will be known by his earthly name forever.

1. The Greek word for “**new**” in Revelation 2:17, our verse in question, is “kainos.” It means “new as to form or quality; that of a different nature from what is contrasted as old.” This same Greek word that is translated “new” in 2 Corinthians 5:17 is in reference to the time we accepted Christ as our Savior.

“Therefore if any man be in Christ, he is a new (Gr. Kainos) creature: old things are passed away; behold, all things are become new.”

In other words, at salvation, in God’s eyes we are a brand new creation and everything in our past is forgotten as we start our new life in Christ Jesus. At this time our name is eternally sealed in the Lamb’s book of life with the promise it will never, for any reason, be removed. Revelation 3:5 makes this perfectly clear,

“He that overcometh, the same shall be clothed in white raiment; AND I WILL NOT BLOT OUT HIS NAME OUT OF THE BOOK OF LIFE, but I will confess his name before my Father, and before his angels.”

Therefore, at salvation, Heaven receives another new name to join the ranks of all those previously saved. Not a different name, but a new name will be placed on Heaven’s rolls because of bearing Christ’s name, that being “Christian.”

E. “**A new name written, which no man knoweth saving he that receiveth it.**” There are, at salvation, only two who know you are saved. That is Christ and yourself, excluding the

heavenly host. In Luke 10:20, Christ addressed the Seventy he had commissioned with these words,

“Notwithstanding in this rejoice not, that the spirits are subject unto you; but rather rejoice, BECAUSE YOUR NAMES ARE WRITTEN IN HEAVEN.”

Luke 15:7 lets us know that those in Heaven are aware of what is going on down here.

“I say unto you, that likewise JOY shall be IN HEAVEN over one sinner that repenteth...”

F. The Lamb’s Book of Life. The Lamb’s Book of Life has in it the name of every human being ever conceived.(Also called “The Book of the Living, Ps. 69:28.) David, inspired by the Holy Spirit, penned Psalm 139. At conception, life begins as verified in Psalm 139:13-17,

“For thou hast possessed my reins: thou hast covered me in my mother’s womb. (V.13)

I will praise thee; for I am fearfully and wonderfully made: marvellous are thy works; and that my soul knoweth right well. (V.14)

My substance was not hid from thee, when I was made in secret, and curiously wrought in the lowest parts of the earth. (V.15)

Thine eyes did see my substance, yet being unperfect; and IN THY BOOK all my members were written, which in continuance were fashioned, when as yet there was none of them. (V.16)

How precious also are thy thoughts unto me, O God! how great is the sum of them!” (V.17)

1. **Verse 13.** “**For thou hast possessed my reins: thou hast covered me in my mother’s womb.**” God sees the female egg and the male sperm unite. Nothing is hidden from God.

2. **Verse 15.** “**The lowest parts of the earth,**” This is a figure of speech illustrating the inner part of a woman’s body where conception takes place.

3. **Verse 16.** As we see in Verse 16, before pregnancy became aware to the mother, God had already entered the child’s name in the Lamb’s Book of Life. This shows that the Spirit of Life by God was placed into the baby; yet, not fully developed; OR, the baby could never have developed. The reason is, as James states, “**For as the body without the spirit is dead.**” (James 2:26a) The parents never install the Spirit into the baby. That is God’s part to give life; or, life would never begin. This is absolute proof that life begins at conception.

“Thine eyes did see my substance, yet being unperfect; and IN THY BOOK all my members were written, which in continuance were fashioned, when as yet there was none of them.” (Psalm 139:16)

NOTE: Job 33:4 and 34:14,15,

“The Spirit of God hath made me, and the breath of the Almighty hath given me life.” (Job 33:4)

"If he set his heart upon man, if he gather unto himself his spirit and his breath; (V.14)

All flesh shall perish together, and man shall turn again unto dust."
(Job 34:14-15)

4. **Verse 17.** "How precious also are thy thoughts unto me, O God! how great is the sum of them!" David did not write this out of his own knowledge. He attests to the fact that God, the Holy Spirit, had revealed this to him. This is in perfect accordance with 2 Peter 1:21 where "...holy men of God spake as they were moved by the Holy Ghost (Spirit)."

- a. Should infants and little children die before they reach the age of accountability (which varies within the child), they will enter Paradise within the Kingdom of God. Therefore a new name has entered the Kingdom of God; not, a different name. (Luke 18:15,16)

"And they brought unto him also infants, that he would touch them: but when his disciples saw it, they rebuked them. (V.15)

But Jesus called them unto him, and said, Suffer little children to come unto me, and forbid them not: for of such is the kingdom of God." (Luke 18:15-16)

Let me illustrate: Should a person from another country come to our country and desire to become a citizen, he, or she, must make application for citizenship to America. After they complete the requirements for citizenship, they are sworn in as a citizen. Their name is now new on the roll as a citizen. Their location as citizenship has changed, but, they do not have a different name. The same applies to a Christian who has accepted Jesus Christ as their Savior. The Christian's location has changed from Earth to Heaven, upon death; or, the Rapture; BUT, their name will never change. They will be known in Heaven by the same name as they were known here on Earth.

5. **The Rest of Humanity.** Their names remain in the Book of Life.

- a. **The Lost.** (The wicked who reject God in the Old Testament; or, Christ under the New Covenant, will have their names blotted out of the Book of the Living. They may die a natural death; or, a premature death at the hands of an angry God! (Read all of Exodus 32.)

"And the Lord said unto Moses, Whosoever hath sinned against me, him will I BLOT OUT OF MY BOOK." (Exodus 32:33)

- b. **Psalm 69:27,28** (describes the end of the wicked described in the previous verses: as they are cast into Hell for eternity.

"Add iniquity unto their iniquity: and let them not come into thy righteousness. (V.27)

Let them BE BLOTTED OUT OF THE BOOK OF THE LIVING, and not be written with the righteous." (Psalm 69:27-28)

- c. **The Saved.** Their names will NOT be blotted out of the "Book of Life."

"He that overcometh, the same shall be clothed in white raiment; and I WILL NOT BLOT OUT HIS NAME OUT OF THE BOOK OF LIFE, but I will confess his name before my Father, and before his angels."
(Revelation 3:5)

The believer is sealed, which implies ownership and security, by the Holy Spirit.

"...after that ye believed, ye were sealed with that holy Spirit of promise," (Ephesians 1:13b)

"And grieve not the holy Spirit of God, whereby ye are sealed unto the day of redemption." (Ephesians 4:30)

Just as the Holy Spirit seals the believer for Heaven, I would not be surprised to see the believer's name covered by the blood of Christ. Every person alive today has their name in the Book of Life. **Whether your name remains for Heaven; or, is removed for Hell, depends upon you!**

"For God so loved the world, that he gave his only begotten Son, that whosoever believeth in him should not perish, but have everlasting life." (John 3:16)

"He that believeth on the Son hath everlasting life: and he that believeth not the Son shall not see life; but the wrath of God abideth on him."- John 3:36

G. God's Will for the New Christian. God's will for the new Christian, is to tell others about Jesus Christ. It is summarized in Romans 1:14-16.

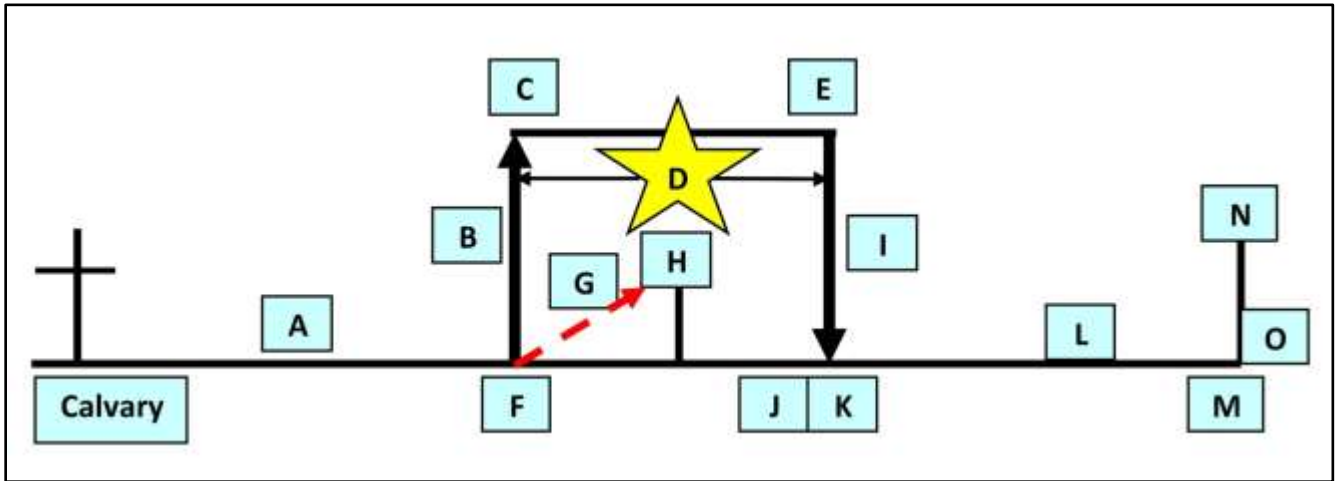
"I am debtor both to the Greeks (the wise and cultured) and to the Barbarians (uneducated, of low degree); both to the wise and the unwise."(V. 14)

So, as much as in me is, I am ready to preach (announce) the gospel to you that are at Rome also." (V. 15)

"For I am not ashamed of the gospel of Christ: for it is the power of God unto salvation to everyone that believeth; to the Jew first, and also to the Greek (the Gentiles)." (V. 16)

The new Christian's prayer should be Ephesians 6:19.

"And for me, that utterance may be given unto me, that I may open my mouth **BOLDLY**, to make known the mystery of the gospel."



THE TRIBULATION PERIOD: THE SEVENTH DISPENSATION: STAR “D”

I. AFTER THE RAPTURE, THE ANTICHRIST CONFIRMS THE COVENANT

“And he (the Antichrist) shall confirm the covenant with many for one week: and in the midst of the week he shall cause the sacrifice and the oblation to cease, and for the overspreading of abominations he shall make it desolate, even until the consummation, and that determined shall be poured upon the desolate.” – Daniel 9:27

A. **“He”** is the Antichrist.

B. **“Confirm the covenant.”** This is not a new covenant; but, rather, the old Mosaic Covenant. This allows Israel to worship in their rebuilt Temple with their priests conducting their worship services, as they had in the past under the Old Covenant.

C. In the middle of the week of 7 years, the Antichrist will break his covenant and stop all worship services. He then proceeds to exterminate all the Jews he can.

D. We want to stop here temporarily as we see why the Antichrist and his world council would want to make this covenant of “protection” with the Nation of Israel.

1. One must remember that the Rapture has just taken place and every Christian from every country all over the world has been taken. They are all gone, “in a moment, in a twinkling of an eye,” (1 Corinthians 15:52). The next day, none of the millions of Christians who have disappeared will show up for work. A catastrophe such as this has never occurred since the time of the Flood, as described in Genesis, Chapters 6-8.

2. This will help us get an idea of the chaotic conditions which would occur, when within one day every Christian would be gone, forever, from just the state of Minnesota, alone. The following will also be happening all over the world:

3. Law Enforcement. With crime running rampant now, can one even imagine what would happen when every Christian, in one moment, disappeared from all of these law enforcement agencies. Crime would spiral to unprecedented highs.

- a. FBI Agents.
- b. CIA Agents.
- c. Secret Service Agents and those who protect the President, etc.
- d. Local Policemen, in towns and cities.
- e. County Sheriffs and Deputies, for our 87 Counties.
- f. Judges, Civil and Criminal, Municipal and Federal
- g. City, State, and Federal Prosecutors
- h. Prison Guards
- i. Postal Inspectors
- j. Federal Marshals
- k. Beef, Pork, and Poultry Inspectors
- l. Homeland Security
- m. Border Patrol

4. Bureau of Motor Vehicles. In Minnesota they estimate they are about 3 months behind with their present staff. No one knows how many of the employees are Christians. There could be a few; or, there could be a large number. We do know that the Bureau is about three months behind, now, with a full staff. Think what it would be like with any number of Christians missing. It would be a miserable situation.

5. Doctors, Surgeons, and Dentists. All of the Christian doctors, surgeons, and dentists disappear within an hour, perhaps in the middle of caring for a patient. Imagine calling your Clinic for a doctor's appointment and you are advised that no one knows where your doctor has gone. He has just disappeared! This is happening all over the state of Minnesota and the world.

6. Banks. Presidents, employees, loan officers, tellers, secretaries, and etc. All Christians missing right in front of their co-worker's eyes. Gone in one second! No two-week notice, just gone forever to Heaven. One can only imagine the confusion that will follow.

7. Our Food Supply.

- a. Grain Farmers. Some of these farmers are Christians. There are many scenarios that could exist. For example, let us just look at one. We will say the whole family are Christians, the husband, wife and two children. They all disappear in one second. The bank receives no loan payment when due, and the family cannot be found. Can we imagine the dilemma the bank is in and the lengthy legality of getting this mess resolved. In the meantime, no fields are planted and no crops are raised or harvested.

- b. Beef and Dairy Farmers, supplying our meat and milk. Let us take a different situation this time, one that could very well exist. Say the father, son and daughter are saved; but, the mother is not. The rapture occurs and the mother is left with the farm. Her husband and children are gone without a trace, and no bodies are found for a funeral. Can one imagine the mental state she is in? Her children were a tremendous help in the operation of the farm. It is doubtful if she could continue in the black without having to pay employees to do the work of her husband and two teenage children. Especially if they were dairy farmers. The operation would most likely have to cease and the farm put up for sale.

8. Imagine what chaos would ensue when every Christian from our postal services disappear. Our postal clerks, mail route drivers, our central distribution centers, etc. would be gone and mail service would be frozen. No Social Security, Disability, or Insurance checks that countless hundreds survive on would arrive. What a mess Minnesota would be in!

9. Attorneys for Legal Representation. I personally know several Christian attorneys. I am sure there are many; however, they will all be gone at the Rapture. All that will be left are secular attorneys, not a Christian anywhere will be found!

10. Missing Airplane Pilots. Many of our Air Force pilots are Christians. They will disappear in “the twinkling of an eye.” (I Corinthians 15:52). Can you imagine how our Air Force would be crippled? What about our domestic flights? Every Christian pilot, co-pilot, and flight attendant, air traffic controller, will be gone in one second! Did one ever think about all of the passengers aboard a plane in the air that would plunge to their deaths, should the pilot and co-pilot be Christians at the Rapture?

11. Sea-going Vessels. What if the Captain and his Executive Officer were both Christians and operating one of our nuclear submarines at the Rapture? What about a destroyer or aircraft carrier? It would cripple our defense system immensely, and we haven’t even mentioned the Christians that would be gone that operate all the equipment essential for our defense.

12. Military Personnel in our Air Force, Navy, Army, Marines, and Special Forces. Many of our Infantry are Christians. I am sure there are some Christian mechanics that keep our planes flying, our tanks and humvees repaired, our helicopters fit for duty and repaired when needed. Can one imagine how crippled our defense system will be after the Rapture?

13. What about grocery stores? How many of our owners, clerks, and meat cutters, produce workers, and those that stock the shelves are Christians? I have no idea; but, I do know that those that are will leave a vacancy immediately. There will be mass confusion.

14. State and Federal Representatives, State and Federal Senators. I would hope that we have at least a few Christians in our House of Representatives (State and Federal) and Senate (State and Federal). It appears that the tax evaders, adulterers, homosexuals, etc., by far outnumber the Christians holding these positions.

One man, while visiting Washington D.C. on a guided tour, asked the guide who he thought we should pray for, the House of Representatives or the Senate. The tour guide's reply was, "Sir, you better pray for the people!" Should you take out the Christians that are holding these offices, you might as well throw in the towel for saving America! It will only add to the demise of America when these Christians disappear at the Rapture.

15. I am just going to list a few more collectively and you can imagine what a catastrophe will ensue when all Christians disappear suddenly without a trace, should the Rapture happen while they are at work. Consider the following:

- a. Manufacturing Plants. The assembly lines, foremen, maintenance men, etc.
- b. Social Workers
- c. Welfare, Food Stamps, Medical Care
- d. Meat, Pork, and Poultry Processing Plants
- e. Road Maintenance Crews
- f. Semi Operators and Dispatchers
- g. Communications Workers and Repairmen
- h. Electric Power Linemen
- i. Web Hosts

16. The foregoing are just pebbles in the sand. I hope it will at least give a person a glimpse of the world situation immediately following the rapture.

Remember, this will affect every town, county, city, and state all over the world. What will be the answer and what will transpire almost immediately after the Rapture. Only the Word of God has the answer.

E. When the Rapture occurs, the Tribulation begins immediately. There is no time element between the Rapture and the Seven-Year Tribulation of God's judgment on the Earth. The Rapture is the start of the Tribulation.

"And he shall confirm the covenant with many for ONE WEEK...(i.e. years, not days)." (Daniel 9:27a)

"For the mystery of iniquity doth already work: only he (the Holy Spirit who resides in the Church) who now letteth (withholdeth) will let (withhold), until he (i.e. the Holy Spirit in the Church when the rapture occurs) be taken out of the way." (7)

And THEN (a particle marking time) shall that Wicked be revealed, whom the Lord shall consume with the spirit of his mouth, and shall destroy with the brightness of his coming:" (2 Thessalonians 2:7,8)

Note: In Verse 7, the word "letteth" is the same Greek word translated "withholdeth" in Verse 6. "Letteth" should have been translated "withhold." The Greek is KATECHO" and means: to hold down, seize on, and restrain. Therefore the last part of the verse should read as follows:

“...only he who now withholdeth will withhold, until he (Holy Spirit) be taken out of the way.”

F. The Rapture has taken place and the Tribulation has just begun.

The World Federation of Nations will no doubt convene immediately and try to determine what can be done to restore some stability to the world and the mess it is now in. They may call an emergency meeting of all the Heads of State that are represented in the United Nations. One thing is for sure, is that ONE man will assert his leadership ability above all others.

“Neither shall he regard the God of his fathers, nor the desire of women, nor regard any god: for he shall magnify himself above all.” (Daniel 11:37).

“And through his policy also he shall cause craft (Hebrew “MIRMA,” i.e. in the sense of deceiving) to prosper in his hand; and he shall magnify himself in his heart, and by peace shall destroy many: he shall also stand up against the Prince of princes; but he shall be broken without hand.” (Daniel 8:25).

This man, who is nothing more than the Antichrist, is a genius. He knows that America is behind Israel and assumes she will protect her until the end. He also knows that the majority of the world, by far, would like to see Israel exterminated. Iran, for instance, is about 97% Muslim and their leader, Ahmadinejad, says they will wipe her off the face of the Earth. The Antichrist does not want a world war which would involve America, should Israel be attacked. To avoid this, even though he himself hates Israel, he must present himself as a peacemaker and gain America’s confidence by making a covenant with Israel. He influences the World Federation of Nations to promise perpetual peace and security to the State of Israel. Israel will accept, and America will be pleased; but, fooled.

This was all predicted in the Book of Daniel over 600 years before Christ; or, in a modern-day figure of over 2,600 years ago. Please notice Daniel 9:27.

“And he shall confirm the covenant with many for one week: and in the midst of the week he shall cause the sacrifice and the oblation to cease,...

1. “**Confirm**” is the Hebrew “GOBAR,” a prime root, meaning to be strong, be valiant and to prevail. One must remember that this Antichrist is the only person, outside of Judas Iscariot, that Satan himself personally indwells. (Luke 22:3). John 8:44 tells us that he is a murderer and a liar. With his dynamic, loveable, and peaceful personality, he convinces Israel that perpetual peace is assured under his protection.

2. “**Covenant.**” As previously stated, this is not a new covenant; but, continuing the Old Covenant made at Sinai. Israel has been for several years training their “kohens” (Priests) in the offering of their feasts, sacrifices, and laws, as given in the Pentateuch.

3. “**One Week.**” Week in the Hebrew is “seven.” This is 7 years, not 7 days.

4. **“Midst of the Week.”** After 3 ½ years, the Antichrist will break the covenant and seek to kill every Jew he can. This is described in detail in Matthew 24:15-22.

“When ye therefore shall see the abomination of desolation, spoken of by Daniel the prophet, stand in the holy place, (V. whoso readeth, let him understand:) (V. 15)

Then let them which be in Judaea flee into the mountains: (V. 16)
Let him which is on the housetop not come down to take any thing out of his house: (V.17)

Neither let him which is in the field return back to take his clothes. (V. 18) And woe unto them that are with child, and to them that give suck in those days! (V. 19)

But pray ye that your flight be not in the winter, neither on the sabbath day: (V. 20)

For then shall be great tribulation, such as was not since the beginning of the world to this time, no, nor ever shall be. (V. 21) And except those days should be shortened, there should no flesh be saved: but for the elect's sake those days shall be shortened.” (V. 22)

II. ISRAEL IS NOT BACK IN THE LAND TO STAY!

A. Chaim Weizman And the Balfour Declaration.

Many know from History that a Jewish chemist, one Chaim Weizman, a British subject, offered to his homeland a newly discovered explosive, TNT. TNT was the most powerful explosive known at that time. Lord Arthur James Balfour proposed that if Germany was defeated, in respect and appreciation for what Chaim Weizman did, that Britain would set aside the land of Palestine and declare it a homeland for Israel. The Balfour Declaration was signed on November 17, 1917 .

B. Israel’s Restoration As a Recognized Nation. (Ezekiel 37:7,8)

May we apply the order of events of Israel’s temporary restoration in four stages, as given in Ezekiel 37:7,8; culminating in their recognition by the United Nations as a sovereign state in May 14, 1948.

“So I prophesied as I was commanded: and as I prophesied, there was a noise, and behold a shaking, and the bones came together, bone to his bone.” (Ezekiel 37:7)

Here we can see from the Balfour Declaration in 1917 the influx of Jewish men and women by the thousands in re-gathering to their homeland, in the midst of discursiveness and agitation of nations since the Declaration.

“And when I beheld, lo, the sinews and the flesh came up upon them...” (Ezekiel 37:8a)

This lets us know that new life had come to the Jewish people, as seen in their unfolding progress in industry, agriculture, religious worship, education and etc. They were, therefore, a corporate body of people returning to their homeland by legal enactment.

“...and the skin covered them above...” (Ezekiel 37:8b)

Therefore, we see the scattered Jews from many countries coming together, as one, a single entity, as a unified living organism. This is proof of the blending together and uniting of Jewish colonists and Zionists advocates of all kinds into a recognized state amidst the nations of the world.

The United Nations officially recognized Israel as a sovereign entity. After being scattered throughout the world from 70 A.D. until May 14, 1948, some 1878 years, she is now recognized as a sovereign state. She has an army, an air force, colleges, schools, Cohen’s (priests), currency system, banks, museums, and a Sanhedrin.

“...but there was no breath in them.” (Ezekiel 37:8c)

Yes, Israel is recognized by the world as a nation; but, she is spiritually dead. She does not have the breath of life in her, spiritually, because she has rejected the Life Giver, her Messiah, her Savior (Yeshua Ha’Maschiach), the Lord Jesus Christ. Even the Orthodox Jews in Israel today do not adhere to nor claim that Israel today is that of Jehovah God. They are looking for the Messiah, Himself, to establish the true Israel.

C. Israel In the Future.

One must remember that the complete fulfillment of Ezekiel’s prophecies will take place at the conclusion of The Great Tribulation when Christ returns to the Earth and establishes His Kingdom for a millennium. Israel that is back in the land now, is only the birth pains of the prophecy. She must be a recognized nation at the Rapture and after, making it possible for the Antichrist to confirm a covenant of perpetual peace with her as stated in Daniel 9:27.

“And he shall confirm the covenant with many for one week (of seven years): and in the midst of the week (after 3 ½ years) he shall cause the sacrifice and the oblation to cease, and for the overspreading of abominations he shall make it desolate, even until the consummation, and that determined shall be poured upon the desolate.”

In other words, how could the prophecy in Daniel ever be fulfilled if there were no State of Israel to make a covenant with? Truly we can see God’s handiwork as He controls the nations, like moves on a giant chessboard, to fulfill the History He has pre-written. The Israel we see today will again be scatted and persecuted when the Antichrist breaks the Covenant he makes with Israel that lasts only 3 ½ years.

All prophecies concerning Israel, and the nations associated with her, have their completed fulfillment either in the 70th Week of Daniel (The Tribulation Period) or the millennium. The

Old Testament prophets knew nothing of the Church Age, known as the Dispensation of Grace (Ephesians 3:2).

When we see the birth pains, now, of the prophecies that are going to give birth in their fulfillment in the Tribulation and the Millennium, we know that the Rapture is very close!

“He which testifieth these things saith, Surely I come quickly. Amen. Even so, come, Lord Jesus.” (Revelation 22:2)

“And shall (future) put my spirit in you, and ye shall live,...(future)...” (Ezekiel 37:14a)

This will not take place until after the seven years of Tribulation when Christ returns to establish His earthly Kingdom and fulfills His covenant to Israel. He will then give them all the land that He had promised to Abraham, Isaac, and Jacob. Israel now, as a nation, is dead spiritually. She will remain this way until after the Rapture. Afterwards, she will make a covenant with the Antichrist who promises her perpetual peace. After 3 ½ years, Satan’s World Federation of Nations will break that covenant. Then Israel will again be persecuted and scattered, running in fear of their lives as described in Matthew 24:4-22 (Also Mark 13 and Luke 21). Matthew 24:4-22 describes Israel’s dilemma.

“And Jesus answered and said unto them, Take heed that no man deceive you. (V. 4)

For many shall come in my name, saying, I am Christ; and shall deceive many. (V. 5)

And ye shall hear of wars and rumours of wars: see that ye be not troubled: for all these things must come to pass, but the end is not yet. (V. 6)

For nation shall rise against nation, and kingdom against kingdom: and there shall be famines, and pestilences, and earthquakes, in divers places. (V. 7) All these are the beginning of sorrows. (V. 8)

Then shall they deliver you up to be afflicted, and shall kill you: and ye shall be hated of all nations for my name's sake. (V. 9) And then shall many be offended, and shall betray one another, and shall hate one another. (V. 10)

And many false prophets shall rise, and shall deceive many. (V. 11)

And because iniquity shall abound, the love of many shall wax cold. (V. 12)

But he that shall endure unto the end, the same shall be saved. (V. 13) And this gospel of the kingdom shall be preached in all the world for a witness unto all nations; and then shall the end come. (V. 14)

When ye therefore shall see the abomination of desolation, spoken of by Daniel the prophet, stand in the holy place, (V. whoso readeth, let him understand:) (V. 15)

Then let them which be in Judaea flee into the mountains: (V. 16)
Let him which is on the housetop not come down to take any thing out
of his house: (V.17)

Neither let him which is in the field return back to take his clothes.
(V. 18) And woe unto them that are with child, and to them that give
suck in those days! (V. 19)

But pray ye that your flight be not in the winter, neither on the
sabbath day: (V. 20)

For then shall be great tribulation, such as was not since the
beginning of the world to this time, no, nor ever shall be. (V. 21)

And except those days should be shortened, there should no flesh
be saved: but for the elect's sake those days shall be shortened."
(Matthew 24:4-22)

Hitler's massacre of some 6,000,000 Jews will seem like a "Sunday School picnic" compared to the Antichrist's persecution during the Great Tribulation, the last 3 ½ years!

III. THE PROPHECY OF DANIEL 9:24-27

A. Daniel 9:24.

"Seventy weeks are determined upon thy people and upon thy holy city, to finish the transgression, and to make an end of sins, and to make reconciliation for iniquity, and to bring in everlasting righteousness, and to seal up the vision and prophecy, and to anoint the most Holy." Daniel 9:24

(70 x 7= 490 years). The Hebrew for "week" is "seven," not days; but, rather years. Weeks ref. Genesis 29:18-27.

1. "Thy people" (Israel).
2. "Thy Holy City" (Jerusalem).
3. "To finish the transgression."

"To finish the transgression" takes place within the 490 prophetic years. After the 70 Year Captivity, only about 50,000 Jews returned to Jerusalem to assist with the building of the Temple, as described in Ezra; and, rebuilding the walls, streets, and etc. of the city of Jerusalem under Nehemiah. Israel's many transgressions had brought about the 70 years captivity, as foretold in Jeremiah 25:11 as well as Jeremiah 29:10.

"And this whole land shall be a desolation, *and* an astonishment; and these nations shall serve the king of Babylon seventy years." (Jeremiah 25:11)

"For thus saith the Lord, That after seventy years be accomplished at Babylon I will visit you, and perform my good word toward you, in

causing you to return to this place.” (Jeremiah 29:10)

“**To finish the transgressions**” reveals to us that there are more to be made by Israel. Less than 500 years later, Israel had turned the Temple worship of Jehovah into a secular den of thieves, by the hypocritical scribes, Pharisees, and priests. Christ cleansed the Temple on three different occasions. The first was in John 2:14,15. The second time is found in Matthew 21:12,13, and the third time is recorded in Mark 11:15.

“And found in the temple those that sold oxen and sheep and doves, and the changers of money sitting: (V.14)

And when he had made a scourge of small cords, he drove them all out of the temple, and the sheep, and the oxen; and poured out the changers' money, and overthrew the tables;” (John 2:14-15)

How sad this must have been to Christ.

“He (Christ) came unto his own, and his own received him not.” (John 1:12)

This transgression brought about God’s judgment in 70 A.D. when Titus destroyed Jerusalem, slaughtered some 600,000 Jews and carried thousands captive into Egypt. The rest that escaped fled for their lives, finding refuge wherever they could throughout the world.

Germany executed some 6,000,000. They began to trickle back in 1917 via the Balfour Declaration, until they were recognized as a sovereign state by the United Nations on May 14th of 1948. They are there in unbelief as they still refuse to accept Jesus Christ as their Messiah. Their rebellion and transgression continues.

4. “**And to make an end of sins, and to make reconciliation for iniquity.**” This takes place when Christ returns at the end of the Tribulation, when “all Israel shall be saved.” (Romans 11:26)

“And so all Israel shall be saved (Those who have not taken the Antichrist’s mark.): as it is written, There shall come out of Sion the Deliverer (Jesus Christ), and shall turn away ungodliness from Jacob:” (V. 26) (i.e., Israel – Genesis 32:28).

“For this is my covenant unto them, when I shall take away their sins.” (Romans 11:27)

5. “**And to bring in everlasting righteousness.**” This takes place when Christ returns to establish His Kingdom at the end of the Tribulation. Notice Jeremiah’s prophecy in Jeremiah 3:17,18.

“At that time they (Israel) shall call Jerusalem the throne of the LORD; and all the nations shall be gathered unto it, to the name of the LORD, to Jerusalem: neither shall they walk any more after the imagination of their evil heart.” (V.17).

“In those days the house of Judah shall walk with the house of

Israel, and they shall come together out of the land of the north to the land that I have given for an inheritance unto your fathers." (V.18).

6. **“And to seal up the vision and prophecy.”** The prophecy in Daniel 9:24-27, which is the 490 years, is fulfilled when Christ returns at the end of the last 7 years of the Tribulation. He, then, establishes His Kingdom on the Earth. Therefore, this prophecy is at that time concluded. In other words, “Seal it up, as it is no longer of use, since time has swallowed it up in fulfilling its predictions.”

7. **“And to anoint the most Holy.”** Revelation 19 describes Christ’s return to Earth and His defeating the Antichrist’s armies. He throws the Political Beast and the False Prophet into the Lake of Fire burning with brimstone. (v.20) Israel’s Messiah, the Lord Jesus Christ, has come in victory and will establish His Kingdom!

“And he (Christ) hath on his vesture and on his thigh a name written, KING OF KINGS, AND LORD OF LORDS.” (Revelation 19:16)

B. Daniel 9:25.

“Know therefore and understand, that from the going forth of the commandment to restore and to build Jerusalem unto the Messiah the Prince shall be seven weeks, and threescore and two weeks:...

This commandment was given by Artaxerxes, the King of Persia to Nehemiah for the rebuilding of Jerusalem in, or about, 445 B.C.(Nehemiah 2:1-8). In other words, from Nehemiah to the Messiah would be 7 weeks (i.e. years) and threescore (a score is 20, or 20 x 3 = 60 years) and two weeks (years) which equals 69 x 7; or, literally, 483 years.

The Hebrew word translated “week” means “seven.” It is the same meaning as in Genesis 29:18 when Jacob said...

“...I will serve thee (Laban) SEVEN YEARS for Rachel thy younger daughter.”

Now notice in Verse 28...

“And Jacob did so, and fulfilled her week: and he (Laban) gave him (Jacob) Rachel his daughter to wife...”

The word “seven” in Verse 18 and the word “week” in Verse 28 are both from the same Hebrew root word meaning “seven.” The Hebrew “SHBUAH” is the same word for “weeks” in Daniel 9:25, as it is for “weeks” in Genesis 29:28, meaning “seven.”

We are also told in Verse 25 that the rebuilding of Jerusalem would be done in troubled times of opposition.

“...the street shall be built again, and the wall, even in troublous times.”

Read Nehemiah through and see Satan’s attacks upon those rebuilding the city in fulfilling Daniel’s prophecy.

Satan's missionaries today (atheists, agnostics, and false preachers) attack God's Word, saying Daniel is just recorded History. How ignorant these men are, as the commandment was not given in Nehemiah, Chapter 2, to rebuild Jerusalem until about 95 years AFTER Daniel's death. This was prophetic, as History would only fulfill what God had previously predicted.

Verse 25 lets us know that, from the edict given to rebuild Jerusalem and until the Messiah would be crucified, would cover a period of 483 years.

C. Daniel 9:26a.

“...And after THREESCORE AND TWO WEEKS (62 weeks of years) shall Messiah be cut off, ... (crucified).”

In Verse 25 we have 483 years from the edict to rebuild Jerusalem to Christ being rejected and crucified. Therefore, 62×7 is 434 years. By subtracting 434 years from the 483 years, we know it took 49 years to rebuild the city of Jerusalem.

1. **“Messiah be cut off (crucified), but not for Himself.”** Christ did not die for Himself, as he was the sinless Son of God.

“For he hath made him to be sin for us, who knew no sin; that we might be made the righteousness of God in him.” (2 Corinthians 5:21)

All humanity has sinned, and that sin was laid upon Christ on the Cross, making our payment for us, as described in Isaiah 53:6.

“All we like sheep have gone astray; we have turned every one to his own way; and the LORD hath laid on him the iniquity of us all.”

2. **“And the people of the prince.”** (“The people” are the Romans). “Prince” is translated from “NAGID,” which in the Hebrew meaning is (a commander whether civil, religious, or military.) This would apply to Titus, the Roman general.

3. **“shall come shall destroy the city (Jerusalem) and the sanctuary”** This was accomplished by Titus in 70 A.D.

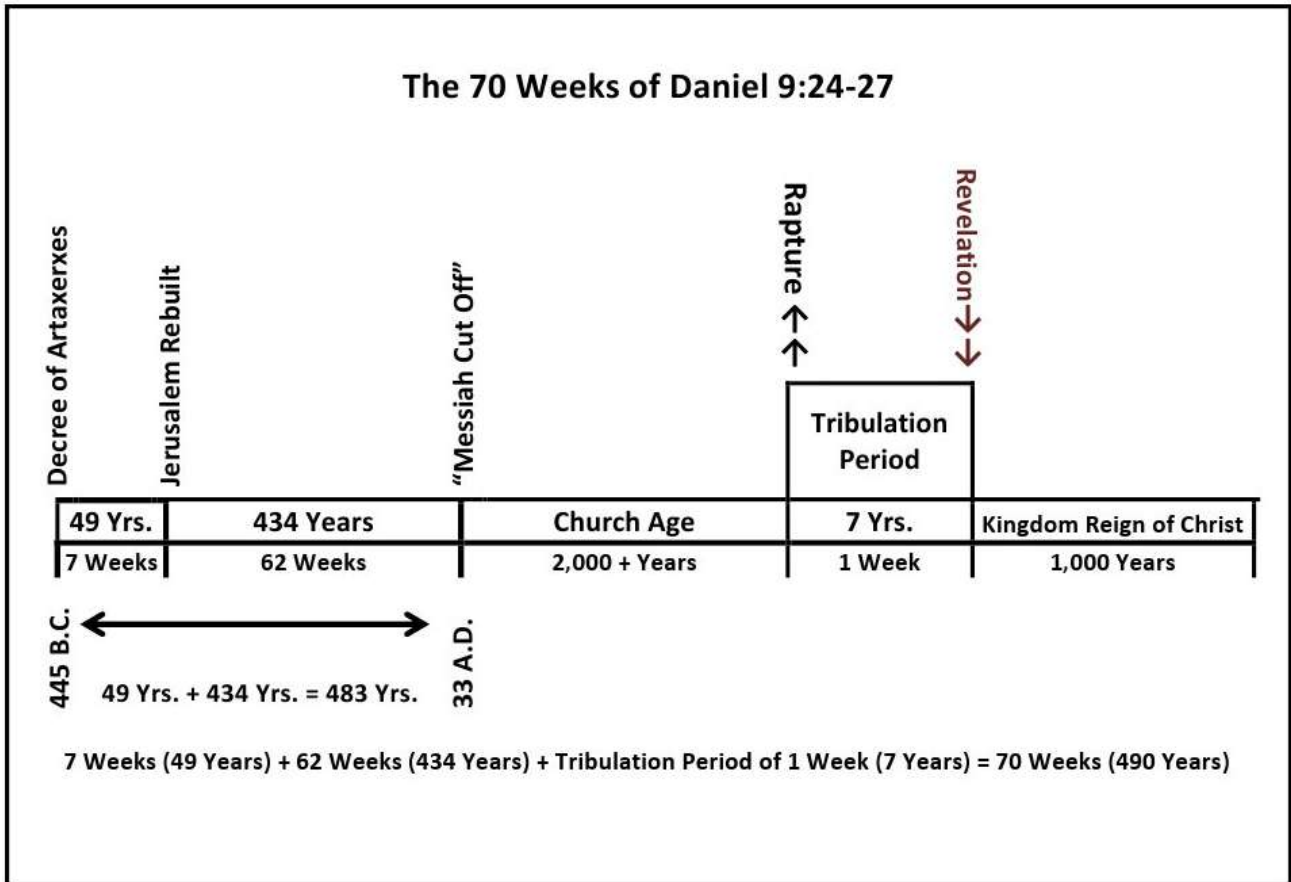
4. **“The end thereof shall be with a flood.”** The destruction of the city and the Temple was concluded after a siege of 143 days, just shy of five months. The flood is in reference to the enormous amount of Jews that were slaughtered by the Roman Army. Flavius Josephus (37-100), the famous Jewish historian, says that there were over 1,000,000 Jews that died at the hands of Titus.

5. **“And unto the end of the war desolations are determined.”** From the Diaspora (a scattering) in 70 A.D. of the Jews throughout the world “desolations are determined.” In other words, God has determined that there will be hatred (anti-Semitism), wars, and nations wanting them destroyed, and etc.

Note: Between Verses 26 and 27, the Rapture takes place. All Christians are gathered off of the Earth and taken to Heaven.

We are going to stop here with the Rapture. Over 2,000 years ago, Israel made the biggest mistake in rejecting her Messiah, the Lord Jesus Christ. After the Rapture and examining Daniel 9:27, we shall see her second biggest mistake is accepting the Antichrist's Covenant.

D. Diagram: The 70 Weeks of Daniel 9:24-27 Illustrated.



11. Diagram: The 70 Weeks of Daniel 9:24-27 Illustrated.

1. The 49 years, the 434 years, and the 483 years as shown on the diagram.
 - a. The edict to rebuild Jerusalem by Artaxerxes in 445 B.C. unto the Messiah would cover a time span of 483 years.

"Know therefore and understand, that from the going forth of the commandment to restore and to build Jerusalem unto the Messiah the Prince shall be seven weeks, and threescore and two weeks: the street shall be built again, and the wall, even in troublous times." (Daniel 9:25)

"And after threescore and two weeks shall Messiah be cut off, but not for himself: and the people of the prince that shall come shall

destroy the city and the sanctuary; and the end thereof shall be with a flood, and unto the end of the war desolations are determined.”
(Daniel 9:26)

b. After the city was rebuilt, there would be 434 years to the Messiah being “cut off” (crucified). Therefore, subtracting 434 from 483 we know it took 49 years for the rebuilding of Jerusalem.

2. The fulfilling of the 483 years from the edict given in 445 B.C. to Christ being crucified has been illustrated as the following.

| | |
|-----------|--------------------------------|
| 445 B.C. | The Edict to Rebuild Jerusalem |
| 33 A.D. | Age Christ Died |
| 4 Years | Calendar Off |
| 1 Year | Difference of Months |
| _____ | |
| 483 Years | Of Prophecy Fulfilled. |

12. The Computation of Years for Daniel 9:24-27.

The total length of this prophecy is 490 years. 483 years have been fulfilled, leaving seven years. This will be the Seven-Year Tribulation Period, between the Rapture and Revelation of Christ.

IV. THE TWO OLIVE TREES OF ZECHARIAH FOUR

A. Introduction – Over All View.

1. Zechariah and Haggai were contemporary and sent to the leaders and the people to finish building the temple they had started 15 years earlier. Satan had sent his opposition, which had caused the work to stop. (Ezra 4).

2. Joshua. From Haggai 1:12 we learn that he was the son of Josedech. In Ezra and Nehemiah, he is called Jeshua (Ezra 3:2). His grandfather, Seriah, was High Priest when Jerusalem was captured and the city destroyed in 586. He was executed at Riblah by Nebuchadnezzar and his father taken captive to Babylon. It was here that Joshua was probably born.

Ezra 2:64, 65 states there were 49,897 that returned to Jerusalem in 536 B.C. On their arrival, Joshua would naturally have taken a leading part in the laying of the foundation of the temple in 535 B.C. Satan's opposition (Ezra 4; Zechariah 3:1,2) stopped the work for 15 years.

B. Introduction: Preliminary view of Chapter Four.

1. Chapter Four is God's Word to Zechariah for the leaders and the people in order to stir them up. God's protection is promised, as they are to start immediately to complete the building of their temple.

2. Chapter Four also contains a brief picture of three future prophecies given over 2500 years in advance.

- a. The Jewish people will rebuild the temple very soon after the Rapture. The religious but, unsaved Jews, are given by the godless world leaders, their protection and blessings by a false covenant that will be broken after 3-1/2 years.
- b. Prophecy concerning the Millennial Temple and Kingdom Reign of Jesus Christ.
- c. The Two Witnesses of God that prophecy against the false temple and worship during the Tribulation Period.

C. Visual Aids For Prophecy.

In this prophetic chapter, God uses various items as a figure of speech to illustrate various factual events. These items are: a golden candlestick, seven lamps, seven pipes, two golden pipes, a bowl, two olive trees and two olive branches. As one studies the Word of God, you will find that the FIG TREE is used in reference to Israel's national privileges. The VINE concerns Israel's spiritual privileges, and the OLIVE TREE represents Israel's religious privileges.

D. "A Picture Is Worth a Thousand Words."

There is much truth in the above statement; so, I thought a picture of the elements described in Zechariah, Chapter Four, might be of some help in understanding the prophecies of this chapter.

"And the angel that talked with me came again, and waked me, as a man that is wakened out of his sleep," (V.1)

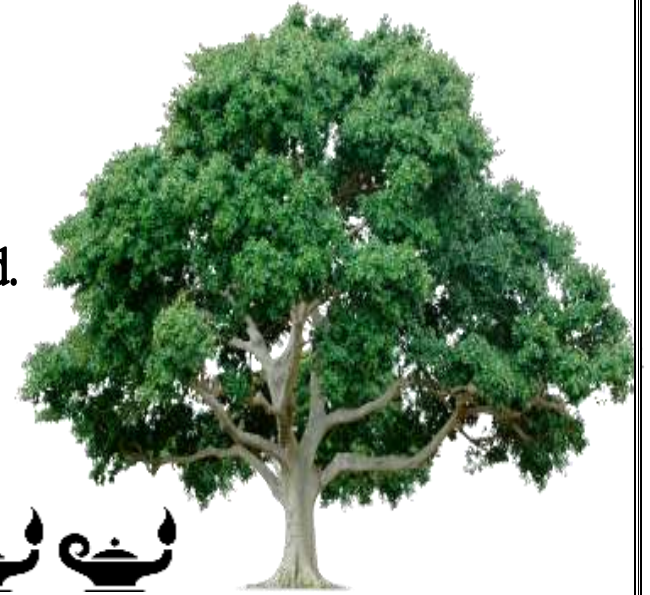
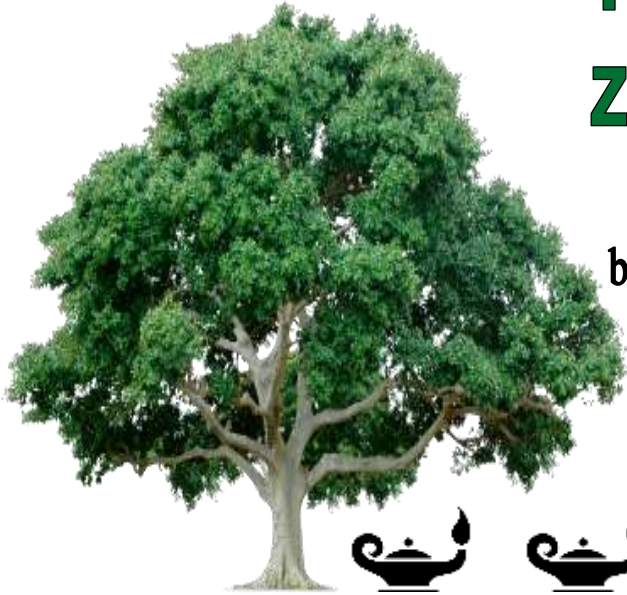
"And said unto me, What seest thou? And I said, I have looked, and behold a candlestick all of gold, with a bowl upon the top of it, and his seven lamps thereon, and seven pipes to the seven lamps, which are upon the top thereof:" (V.2)

"And two olive trees by it, one upon the right side of the bowl, and the other upon the left side thereof." (Zechariah 4:1-3)

Left Olive Tree

The Two Olive Trees of Zechariah, Chapter Four

Right Olive Tree



Branches - Zechariah 4:12, As they branch out and are heard all over the world.

The Seven Lamps



1 2 3 4 5 6 7

Zechariah 4:2 - "Seven Pipes"
"The Lord's Eyes Run To and Fro Throughout the Earth."
Zechariah 4:10



Bowl
Golden Candlestick
Base

Now let us see if we can identify what this picture in Chapter Four illustrates:

1. **“A golden candlestick with a bowl on top.”** (V.2) The Hebrew for “bowl” is “gullah” and defined as; “a fountain, bowl, or globe, (all as round).” A candlestick extends up from its base. The bowl on top would indicate God overseeing everything in His creation. Isaiah 40:22 explains this.

“It is he that sitteth upon the circle of the earth, and the inhabitants thereof are as grasshoppers; that stretcheth out the heavens as a curtain, and spreadeth them out as a tent to dwell in: (V. 22)

To whom then will ye liken me, or shall I be equal? saith the Holy One.” (V. 25)

2. **“The seven pipes extend from God and topped with seven lamps.”** The Hebrew for “pipes” here in Verse Two is “mutsaqah” and means; “something poured out or cast in a mold.” In Verse Twelve, the word “pipes” is a different Hebrew word with a different meaning, as will be explained later. Seven lamps and seven pipes are significant, as in the Bible, numbers have a meaning. Four is the number of the Earth. Five is the number of grace. Six is the number of man, and seven is in reference to God’s divine completeness. In other words, God **“sitteth upon the circle of the earth”** to oversee all of His creation.

“The heaven, even the heavens, are the LORD’S: but the earth hath he given to the children of men.” (Psalms 115:16)

Nothing in man can escape the eyes and knowledge of God Almighty.

“Neither is there any creature that is not manifest in his sight: but all things are naked and opened unto the eyes of him with whom we have to do.” (Hebrews 4:13)

Speaking to Israel, the LORD has said”

“...for I know the things that come into your mind, every one of them.”- (Ezekiel 11:5b)

God has now waited fifteen years since the work on building the temple had stopped. Satan and his followers had stopped the work after the foundations of the temple had been laid. God now lets Zechariah know that He will take care of Satan in Zechariah 3:1,2.

“And he shewed me Joshua the high priest standing before the angel of the LORD, and Satan standing at his right hand to resist him.” (V.1)

“And the LORD said unto Satan, The LORD rebuke thee, O Satan; even the LORD that hath chosen Jerusalem rebuke thee:...” (Zechariah 3:1-2)

Now, on to Zechariah 4:6, where the Angel continues to give God’s Word to Zechariah, who is to encourage Zerubbabel.

"Then he answered and spake unto me, saying, This is the word of the LORD unto Zerubbabel, saying, Not by might, nor by power, but by my spirit, saith the LORD of hosts."

The leaders and workers will not have to fight Satan's opposition with *their* power and might, or force. Satan's opposition was so intense that it had mounted up to such degrees, as illustrated by the size of a mountain. God said, "I will remove all of Satan's obstacles, so that the mountain will become as a plain and not one obstacle will remain, as described in Zechariah 4:7,

"Who art thou, O great mountain? before Zerubbabel thou shalt become a plain: and he shall bring forth the headstone thereof with shoutings, crying, Grace, grace unto it."

Zerubbabel is going to "**bring forth the head stone**" showing the leaders that he is starting the work to finish the building of God's temple for the people. What excitement when the people see the work begun, as they shout for joy and cry out, "Grace, grace unto it." For it is only by the Grace of God that it will be built. The Lord continues His prophecy of the temple in Verses 8,9, declaring that it will be completed.

"Moreover the word of the LORD came unto me, saying," (V.8)

"The hands of Zerubbabel have laid the foundation of this house; his hands shall also finish it; and thou shalt know that the LORD of hosts hath sent me unto you." (Zechariah 4:8.9)

This temple was not anything compared to Solomon's temple, which was magnificent! But these Jewish people, who had been in captivity for 70 years to the nation of Babylon under Nebuchadnezzar, were thrilled to again have a place to worship.

"For who hath despised the day of small things? for they shall rejoice, and shall see the plummet in the hand of Zerubbabel with those seven; they are the eyes of the LORD, which run to and fro through the whole earth." (Zechariah 4:10)

To see the plummet, "PLUM" (a weight) "MET" (with line attached) in the hand of Zerubbabel, they knew the temple was going to be completed. It was not just talk; but, a reality.

1. "**With these seven,**" i.e.; with the help of the Lord, with His protection and guidance while overseeing everything, the temple was completed five years later.

"Those seven, they are the eyes of the LORD, which run to and fro through the whole earth."

This last statement in Verse 10 is a basic statement summarizing what the picture in Verse Two is illustrating concerning the Omniscience, Omnipotence, and Omni-sapience of our Wonderful "God who so loved the world, that he gave his only begotten Son, that whosoever believeth in him should not perish, but have everlasting life." (John 3:16)

"And we know that all things work together for good to them that love God, to them who are the called according to his purpose."
(Romans 8:28)

E. The Future Prophecy – The Two Olive Trees.

"And two olive trees by it, one upon the right side of the bowl, and the other upon the left side thereof." (Zechariah 4:3)

These are also described in Verses 11 to 14.

"Then answered I, and said unto him, What are these two olive trees upon the right side of the candlestick and upon the left side thereof?" (V.11)

"And I answered again, and said unto him, What be these two olive branches which through the two golden pipes empty the golden oil out of themselves?" (V.12)

"And he answered me and said, Knowest thou not what these be? And I said, No, my lord." (13)

"Then said he, These are the two anointed ones, that stand by the Lord of the whole earth." (Zechariah 4:11-14)

These are the same as the Two Witnesses in Revelation 11:3, 4.

"And I will give power unto my two witnesses, and they shall prophesy a thousand two hundred and threescore days, clothed in sackcloth." (V. 3)

"These are the two olive trees, and the two candlesticks standing before the God of the earth. (V. 4)

1260 days equals 42 months; and, using a 30-day Jewish month, the result is 3 ½ years. In other words, the first 3 ½ years after the Rapture.

Their introduction prophetically was basically given over 2500 years ago in Zechariah, Chapter Four, as we will examine here. Then a little over 2000 years ago, specific details of their ministry during the Tribulation of seven years was prophesied by the Holy Spirit through the Apostle John in Revelation, Chapter 11. This is what is known to Bible students as Progressive Revelation.

"For the prophecy came not in old time by the will of man: but holy men of God spake as they were moved by the Holy Ghost."- (2 Peter 1:21)

First, I would like to point out that Zechariah had no idea what the Lord was talking about concerning these two olive trees. Notice his words in Zechariah 4:11.

"What are these two olive trees..."

Then, again in Verse 12.

“ And I answered again, and said unto him, What be these two olive branches...”

And, again in Verse 13.

“And he (the Lord) answered me and said, Knowest thou not what these be? And I said, No, my lord.”

Daniel, like Zechariah, had many prophecies given him to record. Some were fulfilled and many yet for the future. Daniel’s words to the Lord are in Daniel 12:8 and God’s response is in Verse 9.

“And I heard, but I understood not: then said I, O my Lord, what shall be the end of these things?” (V.8)

“And he said, Go thy way, Daniel: for the words are closed up and sealed till the time of the end.” – Daniel 12:8,9

“As also in all his epistles, speaking in them of these things; in which are some things hard to be understood, which they that are unlearned and unstable wrest, as they do also the other scriptures, unto their own destruction.” (2 Peter 3:16)

These Two Witnesses are described in Verse 3 and 11 as olive *trees*, not bushes or shrubs. Bushes and shrubs are easily moved, or cut down, but not trees. Trees have their roots deep in the ground. Described as trees, their spiritual roots are grounded in the Lord Jesus Christ and His words. Psalm 1:1-3 would be descriptive of each of these Two Witnesses for the Lord in the Tribulation.

“Blessed is the man that walketh not in the counsel of the ungodly, nor standeth in the way of sinners, nor sitteth in the seat of the scornful.” (V.1)

“But his delight is in the law of the LORD; and in his law doth he meditate day and night.” (V.2)

“And he shall be like a tree planted by the rivers of water, that bringeth forth his fruit in his season; his leaf also shall not wither; and whatsoever he doeth shall prosper.” (Psalm 1:1-3)

Zechariah 4:12 is a very interesting verse.

“And I answered again, and said unto him, What be these two olive branches which through the TWO GOLDEN PIPES empty the golden oil out of themselves?”

Notice that the Two Witnesses were illustrated as two olive trees in Verses 3 and 11. Now, in Zechariah 4:12, they are spoken of as “**olive branches.**” The Hebrew for “branches” is “shibboieth” and means “a stream, (as flowing), a flood, to flow and to grow out of (as an ear

of grain).” In other words, these Two Witnesses branch out everywhere! They are moving as a stream or river flows, witnessing everywhere, like a flood.

Notice the word **“through”** in Verse 12. The Hebrew word for **“through”** is “yad,” which is a prime word and is defined as, “a hand, the open one (indicating power, means, direction, and etc.).”

Notice that the **“Two golden pipes”** – The Hebrew for “pipes” here is “tnastarah” and means “to be hollow as a water spout, or hollow tube, or gutter.” Gold is a precious metal. Pipes are hollow through which something can flow, and there are two of these. These simply, by object illustration, reveal to the world how precious their testimony is flowing from their mouth and illustrated by their hand gestures.

Notice that they **“Empty the golden oil out of themselves.”** In other words, they are to speak, or give out everything that the Lord has given them to proclaim. They are to hold nothing back. The last thing given concerning these Two Witnesses is in Verse 14.

“Then said he, These are the two anointed ones, that stand by the Lord of the whole earth.” – Zechariah 4:14

Revelation, Chapter 11, gives the details and conclusion of their ministry.

V. THE TWO WITNESSES OF REVELATION, CHAPTER ELEVEN

Everyone has a guess at who the Two Witnesses of Revelation 11 are. Who are they, or does anyone know? But, the answer is, these are the same two prophesied in Zechariah, Chapter Four.

A. The Introduction

This chapter is parenthetical from Verses 1-13, which is inserted between the 6th and 7th Trumpets of Judgment. The following may illustrate. These judgments begin back in Chapter 8:2, 6.

“And I saw the seven angels which stood before God; and to them were given seven trumpets.” (V.2) And the seven angels which had the SEVEN TRUMPETS prepared themselves to sound.” – Revelation 8:2,6

1. First Trumpet – 8:7
2. Second Trumpet – 8:8-9
3. Third Trumpet – 8:10,11
4. Fourth Trumpet – 8:12,13
5. Fifth Trumpet – 9:1-2 (First Woe of 8:13)
6. Sixth Trumpet – 9:13-21 (Second Woe of 8:13)
**** Parenthetical Insert of Revelation 11:1-12. (The Two Witnesses).
7. Seventh Trumpet – 11:14-19 – (Third Woe of 8:1-13).

B. The Rebuilt Temple: Revelation 11:1-2.

There are five temples:

1. Solomon's,
2. Zerubbabel's,
3. Herod's, (standing at the time of Christ and destroyed in 70 A.D. by Titus and the Roman Army),
4. Antichrist's Temple, spoken of here in Revelation 11,
5. Christ's Temple that will stand during the Millennium (Ezekiel, Chapters 40-48).

"And there was given me a reed like unto a rod: and the angel stood, saying, Rise, and measure the temple of God, and the altar, and them that worship therein." (V.1)

"But the court which is without the temple leave out, and measure it not; for it is given unto the Gentiles: and the holy city shall they tread under foot forty and two months." (V.2)

We know this is the rebuilt Tribulation Temple, as the Antichrist makes a covenant with Israel almost immediately after the Rapture (Daniel 9:27). A dear friend of mine for many years who had visited Jerusalem several times, and was a missionary to the Jewish people, and had this to say concerning the Tribulation Temple. "The Jewish Rabbis had revealed to him that the Temple structure was already pre-cut and needed only to be assembled, and which could be erected within a couple of months. The water supply and modern facilities are already there to flush the blood of their sacrifices to the Brook Kidron and on down to the Dead Sea."

Then, after 3 ½ years, the Antichrist breaks his covenant with Israel and seats himself in the Temple, declaring himself to be God. He is described in 2 Thessalonians 2:4,

"Who opposeth and exalteth himself above all that is called God, or that is worshipped; so that he as God sitteth in the temple of God, shewing himself that he is God."

The Antichrist seeks to exterminate all Jews, if he can. (Read Matthew 24:15-22). According to Zechariah 13:8, 9, only one out of three Jews will survive in their land. The Jews will be run out and the Gentiles will occupy their land, Jerusalem, and the area adjacent to the Temple in worshipping the Antichrist.

"But the court which is without the temple leave out, and measure it not; for it is given unto the Gentiles: and the holy city shall they tread under foot forty and two months." (Revelation 11:2)

This is the fulfillment as the Gentiles will totally dominate the Holy City (Jerusalem) and the court which is outside the Temple "**is given unto the Gentiles.**" They will tread under foot, i.e. occupy, Jerusalem for forty-two months. This is the last 3 ½ years of the Tribulation,

before Christ comes in judgment and will establish His Kingdom for a 1,000 years. There will be no Jews in Jerusalem, as they are scattered throughout the world. (Matthew 24:15:22)

C. The Two Witnesses of God.

There are only two places in the Bible where these Two Witnesses are spoken of; here in Revelation 11:3,4 and also in Zechariah 4:3, 11-14.

1. Zechariah 4:3-4, 11-14.

“And two olive trees by it, one upon the right *side* of the bowl, and the other upon the left *side* thereof. (V.3)

So I answered and spake to the angel that talked with me, saying, What *are* these, my lord?” (Zechariah 4:3-4)

“Then answered I, and said unto him, What *are* these two olive trees upon the right *side* of the candlestick and upon the left *side* thereof? (V.11)

And I answered again, and said unto him, What *be* these two olive branches which through the two golden pipes empty the golden *oil* out of themselves?(V.12)

And he answered me and said, Knowest thou not what these *be*? And I said, No, my lord. (V.13)

Then said he, These *are* the two anointed ones, that stand by the Lord of the whole earth.” (Zechariah 4:11-14)

2. Revelation 11:3-4.

“And I will give power unto my two witnesses, and they shall prophesy a thousand two hundred and threescore days (3 ½ years), clothed in sackcloth.” (V.3)

“These are the two olive trees, and the two candlesticks standing before the God of the earth.” (V.4)

Here in Revelation 11:3, God tells us that He will give supernatural power to His Two Witnesses, as we shall discover in Verses Five and Six. They will also prophesy. “Prophesy” in the Greek can be applied in two ways, depending on the context in which it is used. It can mean “giving forth the word of God,” or, “foretelling future events before they happen.” Here, both elements of prophesy would be included.

In other words, they would be witnessing to the lost concerning the Gospel, which is the death and Resurrection of Jesus Christ for the payment of their sins. They would be explaining how the Rapture had been prophesied and fulfilled with all the Christians that had just disappeared. They would prophesy to Israel that the Book of Revelation has foretold that the Antichrist will break his promise of protection that he had made. Therefore, they would be giv-

ing forth the word of God for salvation and prophesying what is yet to come; thus fulfilling the word “prophesy” to its fullest.

Their ministry is limited to 3 ½ years, described as 1,260 days. Jewish time is reckoned as 30 days to a month. Divide 30 into 1,260, and you will arrive at exactly 3 ½ years. They will then die a martyr’s death for their wonderful Savior, the Lord Jesus Christ. They will then leave their earthly visit **“to an inheritance incorruptible, and undefiled, and that fadeth not away, reserved in heaven for you.”** (1 Peter 1:4).

Notice that Verse 4, of Revelation 11, is referring back to the prophecy first given in Zechariah 4:3, 11-14.

“These are the two olive trees, and the two candlesticks standing before the God of the earth.” (Revelation 11:4)

The power that God will give these Two Witnesses, spoken of in Verse Three, is described in detail in Verses 5, 6.

“And if any man will hurt them, fire proceedeth out of their mouth, and devoureth their enemies: and if any man will hurt them, he must in this manner be killed.” (V.5)

“These have power to shut heaven, that it rain not in the days of their prophecy: and have power over waters to turn them to blood, and to smite the earth with all plagues, as often as they will.” (V.6).

In Verse Five, **“fire proceedeth out of their mouth”** is not as one may think of, as fire coming out of a dragon’s mouth as we have all seen pictures of. It is a figure of speech; but, clarified in Jeremiah 5:14.

“Wherefore thus saith the LORD God of hosts, Because ye speak this word, behold, I will make my words in thy mouth fire, and this people wood, and it shall devour them.” – Jeremiah 5:14

Should anyone attempt to hurt, or kill, these Two Witnesses, The Lord has given them the power to speak in the name of God, and the sentence of death will occur immediately.

There most always is a practical application to a spiritual truth. If you are a Christian who witnesses for the Lord, I am sure you have experienced as I have the anger, resentment, and hatred displayed by some of those who want nothing to do with our Savior. I recall some time back that I was witnessing to a pharmacist, and stated that no amount of good works would merit eternal life; only faith in Jesus Christ who paid for our sins. Those words that I spoke ignited a fire of resentment and his response was, that he had been raised in his church, had been baptized, served as an altar boy, and was highly respected in the community. My message of grace through faith, not of good works, lit a fire of hate as he made it clear that I was never to bring up “religion” to him again!

Another example where the Lord uses an object as a figure of speech may be found in Revelation 1:16, where John is describing the Lord Jesus Christ and states that...

“...out of his mouth went a sharp twoedged sword...”

Do we see Christ, literally, with a sword sticking out his mouth? Of course not. It is a figure of speech that illustrates how deep the word of God can cut and penetrate, even to the soul and spirit. Hebrews 4:12 explains this figure of speech.

“For the word of God is quick, and powerful, and sharper than any twoedged sword, piercing even to the dividing asunder of soul and spirit, and of the joints and marrow, and is a discerner of the thoughts and intents of the heart.” – Hebrews 4:12

In the first part of Verse Six we are told of another power the Two Witnesses are given.

“These have power to shut heaven, that it rain not in the days of their prophecy...” – Revelation 11:6a

Their prophecy covers the first 3 ½ years after the Rapture. Can one imagine this world without rain for 3 ½ years. The lakes, rivers, streams and ponds would become stagnant and polluted. Many of these will be dried up and there will be dead fish everywhere, with no fresh water from heaven. Crops cannot grow without water. Can one imagine the shortage of vegetables, beef, pork, chicken, etc., as all need water to survive. It is amazing how this fits in with Revelation 6:8, as a fourth of the population will die in the first 3 ½ years after the Rapture.

“And I looked, and behold a pale horse: and his name that sat on him was Death, and Hell followed with him. And power was given unto them over the fourth part of the earth, to kill with sword, and with hunger, and with death, and with the beasts of the earth.” – Revelation 6:8

Two things stand out here, which contribute to a fourth of the population dying because of the famine caused by no rain falling for 3 ½ years. It is HUNGER and BEASTS. The Greek here for "beast" is “therion” and is defined as, “a dangerous animal.” We have all heard from time to time about what happens when bears come into towns and villages in search of food. With no rain, the berries, chokecherries, acorns, and other natural foods will not be available. They will be forced to attack and eat anything alive, including humans, in lieu of starvation. Foxes, wolves, mountain lions, hyenas, etc., will kill and eat any dogs or cats that are available. Small children and even adults would be easy prey for a mountain lion who is approaching starvation.

God’s Two Witnesses, by the power of God, have shut off Heaven’s “sprinkling system.” The Psalmist describes His power and purpose in a situation such as this in Psalms 107:33, 34.

“He turneth rivers into a wilderness, and the watersprings into dry ground;” (V.33)

"A fruitful land into barrenness, for the wickedness of them that dwell therein." (V.34)

Continuing in Verse Six, God has given His Two Witnesses **"power over waters to turn them to blood."** This is literal, real blood! The Greek for "blood" is "haima" and is translated as such in reference to the atoning blood of Christ, as it is in reference to human or animal blood. In other words, one day an enemy of God's Witnesses may be drinking fresh well water and the next day his cup is filled with literal blood! Thank the Lord we Christians will be watching all of this being fulfilled from Heaven, as we will be **"absent from the body and present with the Lord"** at the Rapture.

I believe it would be interesting to take a look back to the time when Moses was instructed by God to instruct Pharaoh to release His people, the Israelites, free from captivity. The first meeting with Pharaoh resulted in his demon-possessed men duplicating the miracles of Aaron. Here is the record in Exodus 7:10,11.

"And Moses and Aaron went in unto Pharaoh, and they did so as the LORD had commanded: and Aaron cast down his rod before Pharaoh, and before his servants, and it became a serpent." (V.10)

"Then Pharaoh also called the wise men and the sorcerers: now the magicians of Egypt, they also did in like manner with their enchantments." (V.11)

The magicians also duplicated the second miracle by also turning water into blood. This is found in Exodus 7:20, 22.

"And Moses and Aaron did so, as the LORD commanded; and he lifted up the rod, and smote the waters that were in the river, in the sight of Pharaoh, and in the sight of his servants; and all the waters that were in the river were turned to blood." (V.20)

"And the magicians of Egypt did so with their enchantments: and Pharaoh's heart was hardened, neither did he hearken unto them; as the LORD had said." (V.22)

The third miracle of Aaron was also duplicated as recorded in Exodus 8:6,7.

"And Aaron stretched out his hand over the waters of Egypt; and the frogs came up, and covered the land of Egypt." (V.6)

"And the magicians did so with their enchantments, and brought up frogs upon the land of Egypt. (V.7)

One must realize that demons and demon-possessed men can only do supernatural things as God permits. When God restricts, their power is rendered useless and they are helpless, as seen in the last seven plagues. Notice, in the fourth plague, as an example of the rest in Exodus, Chapter 8.

“And they did so; for Aaron stretched out his hand with his rod, and smote the dust of the earth, and it became lice in man, and in beast; all the dust of the land became lice throughout all the land of Egypt.” (V.17)

And the magicians did so with their enchantments to bring forth lice, but they could not: so there were lice upon man, and upon beast.” (Exodus 8:18)

It is interesting that the Lord has revealed to us the names of these two demon-possessed men who opposed Moses and Aaron. 2 Timothy 3:8 reveals their names.

“Now as Jannes and Jambres withstood Moses, so do these also resist the truth: men of corrupt minds, reprobate concerning the faith.”

Satan and his demons are as much alive today as they were in Moses’ time. 2 Corinthians 4:3,4 explains this very well.

“But if our gospel be hid, it is hid to them that are lost:” (V.3)

“In whom the god of this world (Satan) hath blinded the minds of them which believe not, lest the light of the glorious gospel of Christ, who is the image of God, should shine unto them.” (V.4)

Every Christian should be working as hard to present the Gospel as Satan is to pervert the Gospel.

Now, last of all in Verse Six, the Two Witnesses are given additional power **“to smite the earth with all plagues as often as they will.”**

The words **“plague”** and **“plagues”** combined, appear 12 times in the book of Revelation. They are all from the same Greek word “plēgē.” It is defined as “a wound, a stripe, figuratively, a calamity.” In other words, this calamity could come to a person via an earthquake, a tornado, or anything from nature. Revelation, Chapters 15 and 16 speak of the Seven Last Plagues. The Two Witnesses could inflict grievous sores like those in Revelation 16:1; or hail stones inflicting bodily wounds like those in Verse 21. They could bring about the plague of a volcanic eruption; or any other plagues that would inflict their enemies **“...as often as they will.”**

All of this demonstrates to mankind that God is in complete control over Satan and his followers. Satan can do nothing without God’s permission. Notice in Job, Chapter One, where we have God and Satan’s conversation recorded.

“AND THE LORD SAID UNTO SATAN, Hast thou considered my servant Job...” – Job 1:8a

3. Satan's Accusation.

"Hast not thou made an hedge about him, and about his house, and about all that he hath on every side? Thou hast blessed the work of his hands, and his substance is increased in the land." – Job 1:10

4. Satan's Proposal.

"But put forth thine hand now, and touch all that he hath, and he will curse thee to thy face." – Job 1:11

5. God's Permission, Power, and Protection

"And the LORD said unto Satan, Behold, all that he hath is in thy power; only upon himself put not forth thine hand. So Satan went forth from the presence of the LORD." – Job 1:12

As a Christian we need to realize that Satan and his followers can only go as far as God permits. God permitted Satan to test Job, who remained faithful to the Lord. God had confidence in His servant and Job had confidence in the Lord, even though he did not understand how it would all come out. He knew that he was going to live through it, as God had put a limit on Satan in his attack on Job.

"And the LORD said unto Satan, Behold, he is in thine hand; but save his life." (Job 2:6)

God has given us His Word, the Bible. When we read His Word, study His Word, and are determined to yield our will to His will, it renders Satan helpless. One thing Satan cannot stand and hates the most is when a Christian "slaps him in the face" with the Word of God! As we look back on Job, we see that God rewarded his servant greatly for his faithfulness.

"So the LORD blessed the latter end of Job more than his beginning: for he had fourteen thousand sheep, and six thousand camels, and a thousand yoke of oxen, and a thousand she asses." (Job 42:12)

How wonderful for a faithful Christian, upon entering their Heavenly home to be welcomed by the Lord with these words...

"His lord said unto him, Well done, thou good and faithful servant: thou hast been faithful over a few things, I will make thee ruler over many things: enter thou into the joy of thy lord."- Matthew 25:21

D. The Service of the Two Witnesses is Completed.

1. Revelation 11:7.

The service of these two witnesses for the Lord is completed. They will receive a Martyr's Crown, known as the Crown of Life in Revelation 2:10b.

"...be thou faithful unto death, and I will give thee a crown of life."

"And when they shall have finished their testimony, the beast that ascendeth out of the bottomless pit shall make war against them, and shall overcome them, and kill them." (Revelation 11:7)

God permits the Beast (Antichrist) to kill them only after they have finished their testimony. Nothing can harm them until God has completed His message and warning. This demonstrates God's power over Satan. Satan's children will try to kill them; but, will not be successful until God's work is finished. God's children have more power than their enemies. God permits their death only for His glory. Notice 2 Timothy 1:7,8.

"For God hath not given us the spirit of fear; but of power, and of love, and of a sound mind."(V.7)

"Be not thou therefore ashamed of the testimony of our Lord, nor of me his prisoner: but be thou partaker of the afflictions of the gospel according to the power of God;" – 2 Timothy 1:7-8

2. Revelation 11:8.

"And their dead bodies shall lie in the STREET of the great city, which spiritually is called Sodom and Egypt, where also our Lord was crucified."

Jerusalem is the capital of the world in God's sight; and yet, is so spiritually decayed it is compared to Sodom. *Yet*, God allowed His two witnesses to lie in the street for 3 ½ days, and to be made a spectacle for a short time by these corrupt people.

The Earth could be said to be the capital of the universe, as it was by God's power and for His glory that He created the Earth and gave it unto men. (Psalms 115:16) The world today is rapidly approaching the condition of Sodom with its spiritual decay. Christians are, seemingly, killed and made a spectacle of by the world.

Jerusalem thought it could do away with God's Word by killing His witnesses. The world is trying to forget God in killing a Christian's witness by slander, mocking and deceit. God showed His power to and over the world in a Resurrection of righteousness. The capital of the world and the capital of the universe are truly the Lord's and the fullness thereof; as He will sit upon the throne of David in Jerusalem as King of Kings, and rule this world for a 1,000 years. Then it can be said that all things have been put under His feet, for the world and all in it belong to Him.

3. Revelation 11:9: Television.

"And they of the people and kindreds and tongues and nations shall SEE their dead bodies three days and an half, and shall not suffer their dead bodies to be put in graves."

E. A Spiritual Application:

Christians should not give up when the lost seem to make a spectacle out of them and apparently try to “kill” their testimony. God has them in derision and laughs at them. (Psalms 2:4) Live so that when they speak evil of you, no one will believe them.

“He that sitteth in the heavens shall laugh: the Lord shall have them in derision.” (Psalms 2:4)

1. Trials will strengthen your faith (Romans 5:3-5).

“And not only so, but we glory in tribulations also: knowing that tribulation worketh patience; (V.3)

And patience, experience; and experience, hope: (V.4)

And hope maketh not ashamed; because the love of God is shed abroad in our hearts by the Holy Ghost which is given unto us.” – Romans 5:3-5

2. God will confound them through you for His glory. (1 Corinthians 1:21, 28)

“For after that in the wisdom of God the world by wisdom knew not God, it pleased God by the foolishness of preaching to save them that believe.”(V.21) “And base things of the world, and things which are despised, hath God chosen, yea, and things which are not, to bring to nought things that are:” (V.28)

3. We need, and pray, for God’s strength in our lives daily. King David’s prayer in Psalms 39:13 was...

“O spare me, that I may recover strength, before I go hence, and be no more.” (V.13)

In other words, “Enable me to live that my life will cause men and women to think on eternity; so as to draw them to Christ, before I die.”

F. The Antichrist’s “Christmas” (Revelation 11:10).

“And they that dwell upon the earth shall rejoice over them, and make merry, and shall send gifts one to another; because these two prophets tormented them that dwelt on the earth.”

Great is the laughter and joy over an apparent victory of the Antichrist. It is only temporary, as shown in Psalm 50:16-22.

“But unto the wicked God saith, What hast thou to do to declare my statutes, or that thou shouldest take my covenant in thy mouth?” (V.16)

“Seeing thou hatest instruction, and castest my words behind thee.” (V.17)

"When thou sawest a thief, then thou consentedst with him, and hast been partaker with adulterers." (V.18)

"Thou givest thy mouth to evil, and thy tongue frameth deceit." (V.19)

"Thou sittest and speakest against thy brother; thou slanderest thine own mother's son." (V.20)

"These things hast thou done, and I kept silence; thou thoughtest that I was altogether such an one as thyself: but I will reprove thee, and set them in order before thine eyes." (V.21)

"Now consider this, ye that forget God, lest I tear you in pieces, and there be none to deliver." (Psalm 50:16-22)

Sin is only enjoyed for a season. Moses made the right decision while being in Egypt, and being raised as the adopted son of Pharaoh's daughter.

"By faith Moses, when he was come to years, refused to be called the son of Pharaoh's daughter; (V.24)

"Choosing rather to suffer affliction with the people of God, than to enjoy the pleasures of sin for a season;" (Hebrews 11:24-25)

These that rejoiced over the deaths of the Two Witnesses could not see past the ends of their noses. This is the Antichrist's Christmas, as they are so happy that they are sending gifts to each other. Their gifts are a fool's folly, their Christmas is for the death of God's Voice through the Two Witnesses. Our Christmas is for rejoicing in the birth of His Voice through Christ. We rejoice in the Resurrection, for "**Christ ever liveth.**" But, for them there is only judgment, as they crucified Him; but, death could not hold Him, He arose and will return in judgment.

G. The Two Witnesses Resurrected (Revelation 11:11).

"And after three days and an half the Spirit of life from God entered into them, and they stood upon their feet; and great fear fell upon them which saw them."

1. Verse 7 (attacked and killed).
2. Verses 8 and 9 (made an open spectacle).
3. Verse 10 (the lost rejoice).

Illustration: Two boxers in a tournament. One fighting his way to what looks like an easy victory; but, as the fight progresses, his strength fails. He is "out of shape." A Christian can remain in the battle because he is "in shape"... spiritually sharp. He is trained and exercised in the Gospel. When the blows of tribulation come he slips the punches, blocking them with the shield of faith, even though the enemy has apparently won and is rejoicing. Our strength is renewed and we go on to victory. How? Through Christ.

"I can do all things through Christ which strengtheneth me,"
(Philippians 4:13).

Truly the lost stand in amazement when they see a Christian go through the trials rejoicing and come out with a victory in the name of Jesus Christ.

"If ye be reproached for the name of Christ, happy are ye; for the spirit of glory and of God resteth upon you: on their part he is evil spoken of, but on your part he is glorified." (1 Peter 4:14)

1. Revelation 11:12.

"And they heard a great voice from heaven saying unto them, Come up hither. And they ascended up to heaven in a cloud; and their enemies beheld them."

The Two Witnesses ascended bodily to Heaven in their resurrected bodies to be with their Wonderful Savior, the Lord Jesus Christ for all eternity. Up is the only way for a child of God. He looks up to be saved; up in tribulation; up for the Rapture; up at death. "**Absent from the body, present with the Lord.**" (2 Corinthians 5:8)

2. Revelation 11:13.

"And the same hour was there a great earthquake, and the tenth part of the city fell, and in the earthquake were slain of men seven thousand: and the remnant were affrighted, and gave glory to the God of heaven." - Rev. 11:13

God pronounces judgment, but the Christian already has been delivered from this day of wrath, being caught up at the Rapture.

- a. Noah, delivered from God's wrath on the ungodly world. (Genesis 4:17,18)
- b. Lot, delivered from God's wrath on Sodom and Gomorrah. (Genesis 19:29)
- c. Hell, Christians delivered from Hell. (John 5:24)
- d. Rapture, Christians delivered from the 7 years of tribulation in the world. (1 Thessalonians 1:10)

"And to wait for his Son from heaven, whom he raised from the dead, even Jesus, WHICH DELIVERED US from the wrath to come."

The words "**which delivered us,**" in the Greek text, is future tense; NOT past tense. This phrase should have been translated "who delivers us" from the wrath to come, which is the Tribulation wrath as described in Revelation 6:17,18. Also Revelation 3:10.

Enemies. Some Christians will be delivered from their enemies, as God wills, and come out of the Tribulation alive. Others will be permitted a Martyr's Crown for their faithfulness unto death. Revelation 20:4 tells us about this.

"And I saw thrones, and they sat upon them, and judgment was

given unto them: and I saw the souls of them that were beheaded for the witness of Jesus, and for the word of God, and which had not worshipped the beast, neither his image, neither had received his mark upon their foreheads, or in their hands; and they lived and reigned with Christ a thousand years."

Judgment came, and 7,000 were killed. These were "...**Affrighted and gave glory to God...**" (Revelation 11:13c)

"The fear of the Lord is the beginning of wisdom." (Proverbs 9:10)

As the old saying goes, "There are no atheists in foxholes!" Judgment is always for God's glory. Why? It displays His justice. He is a just God. "**The wages of sin is death.**" (Romans 6:23) Sometimes it takes a death in the family to turn others to Christ.

"And the seventh angel sounded; and there were great voices in heaven, saying, The kingdoms of this world are become the kingdoms of our Lord, and of his Christ; and he shall reign for ever and ever." (Revelation 11:15)

H. The Big Question: "The Two Witnesses—Who Are They?"

Since they have power over their enemies with fire, death, control of the rain, turn water to blood, and all plagues (Verses 5 and 6); it is conjectured by some that these Two Witnesses are either Moses and Elijah; or Enoch and Elijah.

1. Moses and Elijah?

Moses and Elijah: Moses, because of his plagues on Egypt and turning water to blood. (Exodus 7:19-20). Elijah, because his prayer to God shut the windows of heaven for three and a half years. (James 5:17-18)

This is disproved by the fact Moses died and already had his heavenly body, for he was seen at the Mount of Transfiguration. (Matthew 17:3-4). A heavenly body cannot die and these two witnesses do, in their earthly bodies.

2. Enoch and Elijah?

Enoch and Elijah : Some hold these are the Two Witnesses, because they have supposedly never died, (Enoch, Genesis 5:24) (Elijah, 2 Kings 2:11). This conjecture is based upon Hebrews 9:27,

"As it is appointed unto men once to die, but after this the judgment."

Their physical bodies died before they reached Paradise; and the reason is given in 1 Corinthians 15:50,

"Now this I say, brethren, that flesh and blood cannot inherit the kingdom of God; neither doth corruption inherit incorruption."

Therefore, their physical bodies have already died, once, after leaving the Earth; but, prior to entering Heaven, the Kingdom of God.

3. Elijah?

Elijah: Another theory used to inject Elijah as one of the Two Witnesses, is that he was prophesied to come before the Lord's return.

"Behold, I will send you Elijah the prophet before the coming of the great and dreadful day of the LORD: " (Malachi 4:5)

"The voice of him that crieth in the wilderness, Prepare ye the way of the LORD, make straight in the desert a highway for our God." (Isaiah 40:3)

4. John the Baptist?

John the Baptist came to prepare the way of the Lord and preached "**...in the spirit and power of Elias (Elijah)...**" (Luke 1:17) This would have fulfilled these two prophecies.

"For this is he, of whom it is written, Behold, I send my messenger before thy face, which shall prepare thy way before thee." (Matthew 11:10)

"And from the days of John the Baptist until now the kingdom of heaven suffereth violence, and the violent take it by force." (V.12)

"For all the prophets and the law prophesied until John." (V.13)

"And if ye will receive it, this is Elias, which was for to come." (Matthew 11:12-14)

John the Baptist did preach to Israel that Christ was their Messiah; but they rejected John the Baptist, and his message about Christ.

"But I (Christ) say unto you, THAT ELIAS IS COME ALREADY, and they knew him not, but have done unto him whatsoever they listed. Likewise shall also the Son of man suffer of them. V.12)

Then the disciples understood that he spake unto them of John the Baptist." (Matthew 17:12-13)

In John 1:11 it is recorded that...

"He (Christ) came unto his own, and his own received him not."

The religious leaders of Israel hated Christ. Matthew 27:1 tells us that...

"When the morning was come, all the chief priests and elders of the people took counsel against Jesus to put him to death:"

Pilate addressed the mob when Christ was before him, stated that...**I am innocent of the blood of this just person, see ye to it.**" (Matthew 27:24).

"Then answered all the people, and said, His blood be on us, and on our children." (Matthew 27:25)

Their request was granted, and has been for over the last 2,000 years. God sent one witness, John the Baptist, to prepare the way for Christ's first coming. After the Rapture, there are only seven years before Christ returns to set up His Kingdom on Earth. This time God uses Two Witnesses that speak of Christ's second coming, in the "Spirit and power of Elijah" (Luke 1:17), just like John the Baptist. Their death is only permitted by God for His glory, as they will be resurrected to life for the whole world to see.

There is a reason why their bodies lay dead for 3½ days. This is three full days and 12 hours into the fourth day; therefore, their bodies will be smelling, or stinking, as decomposition will have set in. In John 11:39, Martha's brother, Lazarus, had died and she told the Lord that,

"...by this time he stinketh: for he hath been dead four days."

The proof of the death of the Two Witnesses was not only by sight; but, also by smell. This would dispel any skeptics who will later claim (as some did when Christ was crucified) that they have not really died; but, resuscitated after 3 ½ days.

Who are these Two Witnesses? God has not told us who they are. We will have to wait until we reach Heaven to be introduced.

Revelation 11 is History pre-written before it occurs, and so is the destiny of all humanity: Heaven or Hell. But the choice is the responsibility of each individual. Here is your choice, given from the Bible, God's Word.

"For God so loved the world, that he gave his only begotten Son, that whosoever believeth in him should not perish, but have everlasting life."- John 3:16

"He that believeth on the Son hath everlasting life: and he that believeth not the Son shall not see life; but the wrath of God abideth on him." (John 3:36)

"Verily, verily, I say unto you, He that heareth my word, and believeth on him that sent me, hath everlasting life, and shall not come into condemnation; but is passed from death unto life."- John 5:24

"These things have I written unto you that believe on the name of the Son of God; that ye may know that ye have eternal life, and that ye may believe on the name of the Son of God." (1 John 5:13)

VI. THE 144,000 JEWISH WITNESSES DURING THE TRIBULATION

A. The 144,000 Jewish Witnesses of Revelation 7:1-8.

These are revealed to us only in Revelation, Chapters 7 and 14. The following is not an exposition on all of Chapters Seven and Fourteen. At this time I am only going to extract and

deal with the verses that pertain to the 144,000 of God's witnesses during the Seven-Year Tribulation. No matter what dispensation of time we are in, the LORD always has His witnesses to the truth of His Word in exposing the lies of Satan and his followers. In Chapter 7, we will give Verses 1-8 in their entirety.

"And after these things I saw four angels standing on the four corners of the earth, holding the four winds of the earth, that the wind should not blow on the earth, nor on the sea, nor on any tree. (V.1)

And I saw another angel ascending from the east, having the seal of the living God: and he cried with a loud voice to the four angels, to whom it was given to hurt the earth and the sea, (V.2)

Saying, Hurt not the earth, neither the sea, nor the trees, till we have sealed the servants of our God in their foreheads. (V.3)

And I heard the number of them which were sealed: and there were sealed an hundred and forty and four thousand of all the tribes of the children of Israel. (V.4)

Of the tribe of Juda were sealed twelve thousand. Of the tribe of Reuben were sealed twelve thousand. Of the tribe of Gad were sealed twelve thousand. (V.5)

Of the tribe of Aser were sealed twelve thousand. Of the tribe of Nephthalim were sealed twelve thousand. Of the tribe of Manasses were sealed twelve thousand. (V.6)

Of the tribe of Simeon were sealed twelve thousand. Of the tribe of Levi were sealed twelve thousand. Of the tribe of Issachar were sealed twelve thousand. (V.7)

Of the tribe of Zabulon were sealed twelve thousand. Of the tribe of Joseph were sealed twelve thousand. Of the tribe of Benjamin were sealed twelve thousand." (Revelation 7:1-8)

1. The Lord Controls the Weather. (Revelation 7:1-3)

The Lord makes it clear that he controls the weather. He withholds these judgments until He seals his 144,000 Witnesses, so they are not effected by His judgments upon the ungodly. "Sealed" means ownership and protection from Satan. (Read Job, Chapter 37, where the Lord amplifies in detail His complete control over all of our weather.

These 144,000 godly men are saved after the Rapture, just as the Two Witnesses are. Had they been saved before the Rapture, they would go up with the Rapture. Jerry Jenkins and Tim LaHaye stirred up a multitude of people with their *Left Behind* series of books concerning the Rapture.

The 144,000 and the Two Witnesses apparently will be saved almost immediately after the Rapture. Scripture supporting this is the following:

2. The Two Witnesses of Revelation 11:3.

“And I will give power unto my two witnesses, and they shall prophesy A THOUSAND TWO HUNDRED AND THREESCORE DAYS, clothed in sackcloth.” (Revelation 11:3)

A thousand, two hundred and sixty days is 42 months which, when divided by 12, is 3 ½ years and they die. To witness the first 3 ½ years of the Tribulation, they would have to be saved almost immediately after the Rapture.

B. The 144,000 Witnesses Referenced In Revelation 14:3,4.

“...the hundred and forty and four thousand, which were redeemed from the earth. (3b)

“...These were redeemed from among men, being the FIRSTFRUITS unto God and to the Lamb.” (4b)

The ministry of the 144,000 will continue all through the Tribulation until the end, when Christ returns. Therefore, they are the First Fruits, in reference to all of the rest that will be saved throughout the Tribulation Period.

In Verse 4 of Revelation, Chapter 7, we find that the total number of Jewish witnesses are 144,000. Verses 5 to 8 let us know there will be 12,000 from each tribe. Each was given a portion of land; except Levi, Jacob’s third son by Leah. Moses and Aaron were descendants of Kohath, one of Levi’s three sons, and later ordained to the priesthood. (Leviticus, Chapters 8,9)

The descendants of Levi in the priesthood were given no land, per se; but, rather 48 cities in which to perform their priestly duties of God to the people. Six of these cities were refuge cities (Numbers, Chapter 35). Here in Revelation 7:7, they are given the privilege of supplying 144,000 faithful Jews to witness all through the 7-Year Tribulation.

We also find that Joseph, the eleventh son of Jacob by Rachel, and her firstborn; received a double portion of land through Ephraim and Manasseh, his two sons. Here Joseph is inserted in lieu of Ephraim.

You will notice, as you read Verses 5 to 8, that the tribe of DAN is missing. This tribe is not named as having the privilege and honor to represent the Lord during God’s judgment upon the ungodly. Why would this be? To find the answer, let us examine a little history that God has given us concerning Dan.

1. God’s Warning.

This is God’s warning to His people after liberating them from Egypt; then leading and caring for them for 40 years in their wilderness journey. He warns them before giving them the land that He promised to their forefathers, Abraham, Isaac, and Jacob.

“(For ye know how we have dwelt in the land of Egypt; and how we came through the nations which ye passed by; (v.16)

And ye have seen their abominations, and their idols, wood and stone, silver and gold, which were among them:) (V.17)

Lest there should be among you man, or woman, or family, or tribe, whose heart turneth away this day from the Lord our God, to go and serve the gods of these nations; lest there should be among you a root that beareth gall and wormwood; (V.18)

And it come to pass, when he heareth the words of this curse, that he bless himself in his heart, saying, I shall have peace, though I walk in the imagination of mine heart, to add drunkenness to thirst: (V.19)

The Lord will not spare him, but then the anger of the Lord and his jealousy shall smoke against that man, and all the curses that are written in this book shall lie upon him, and the Lord shall blot out his name from under heaven. (V.20)

And the Lord shall separate him unto evil out of all the tribes of Israel, according to all the curses of the covenant that are written in this book of the law:" (Deuteronomy 29:16-21)

"See, I have set before thee this day life and good, and death and evil;" (Deuteronomy 30:15)

"But if thine heart turn away, so that thou wilt not hear, but shalt be drawn away, and worship other gods, and serve them; (V.17)

I denounce unto you this day, that ye shall surely perish, and that ye shall not prolong your days upon the land, whither thou passest over Jordan to go to possess it. (V.18)

I call heaven and earth to record this day against you, that I have set before you life and death, blessing and cursing: therefore choose life, that both thou and thy seed may live: (V.19)

That thou mayest love the Lord thy God, and that thou mayest obey his voice, and that thou mayest cleave unto him: for he is thy life, and the length of thy days: that thou mayest dwell in the land which the Lord sware unto thy fathers, to Abraham, to Isaac, and to Jacob, to give them." (Deuteronomy 30:17-20)

2. Dan's Wandering.

This tribe was the first to go into apostasy upon entering the Promised Land.

"And they took the things which Micah had made, and the priest which he had, and came unto Laish, unto a people that were at quiet and secure: and they smote them with the edge of the sword, and burnt the city with fire." (Judges 18:27)

"And the children of Dan set up the graven image: and Jonathan, the son of Gershom, the son of Manasseh, he and his sons were priests to the tribe of Dan until the day of the captivity of the land. (V.30)

And they set them up Micah's graven image, which he made, all the time that the house of God was in Shiloh." (Judges 18:30-31)

3. God's Withholding.

This could be the reason God restricts them from representing Him during the Tribulation Period. Notice, clear back in Genesis 49:1, where the Holy Spirit directed Jacob to give a brief prophetic benediction of the future of his descendants in the last days.

"And Jacob called unto his sons, and said, Gather yourselves together, that I may tell you that which shall befall you in the last days." (Genesis 49:1)

Dan is described in Verses 16, and 17,

"Dan shall judge his people, as one of the tribes of Israel. (V.16)

Dan shall be a serpent by the way, an adder in the path, that biteth the horse heels, so that his rider shall fall backward." (Genesis 49:16-17)

In Verse 17, Dan followed the Serpent's (Satan's) leading; instead of God's warning. Their unfaithfulness was described in Judges 18:30,31. They will not represent the Lord in the Tribulation Period.

4. God's Faithfulness to His Promises.

God had promised Dan, along with the other tribes, a land grant. After the Tribulation Period, God makes it clear that Dan will be given his portion of land during Christ's Millennial Reign, just as He had promised. Ezekiel, Chapters 40-48 have to do exclusively with the 1,000 Year Reign of Christ on the earth. In Ezekiel 48:1, God's faithfulness to the tribe of Dan is recorded, in spite of Dan's unfaithfulness to God.

"Now these are the names of the tribes. From the north end to the coast of the way of Hethlon, as one goeth to Hamath, Hazarenan, the border of Damascus northward, to the coast of Hamath; for these are his sides east and west; A PORTION FOR DAN." Ezekiel 48:1

5. An Example of the Believer's Eternal Security.

This is a perfect example of the Believer's ETERNAL SECURITY. A person is not promised eternal life because of how good they are; or, how many promises they make to the Lord. Salvation is a free gift, just as the land was to the tribes of Israel.

"For by grace are ye saved through faith; and that not of yourselves: it is the gift of God: (V.8)

Not of works, lest any man should boast." Ephesians 2:8-9

A person is saved from spending eternity in the Lake of fire when they believe, trust, have faith (all synonymous words, meaning the same thing) in Jesus Christ. That is, He died, was buried, and rose again; therefore, paying for the sins of all mankind. Christ's promise to the Believer is everlasting life. For example, in the Gospel of John:

"That whosoever believeth in him should not perish, but have eternal life.(V.15)

For God so loved the world, that he gave his only begotten Son, that whosoever believeth in him should not perish, but have everlasting life." (John 3:15-16)

"He that believeth on the Son hath everlasting life: and he that believeth not the Son shall not see life; but the wrath of God abideth on him." (John 3:36)

"Verily, verily, I say unto you, He that heareth my word, and believeth on him that sent me, hath everlasting life, and shall not come into condemnation; but is passed from death unto life." (John 5:24)

"And this is the will of him that sent me, that every one which seeth the Son, and believeth on him, may have everlasting life: and I will raise him up at the last day." (John 6:40)

"Verily, verily, I say unto you, He that believeth on me hath everlasting life." (John 6:47)

Therefore, should a Christian be, or become unfaithful in serving the Lord; whether it be temporary, or most of their life, they cannot make Christ a liar by losing their Salvation. Christ never gives Salvation on a condition that He will take it back. What a Christian does forfeit are the rewards Christ blesses with for faithfulness; but, they NEVER forfeit their Salvation. This is made perfectly clear from 1 Corinthians 3:11-15, at the Judgment Seat of Christ, which takes place in Heaven after the Rapture. Notice Verses 14,15,

"If any man's work abide which he hath built thereupon, he shall receive a reward. (V.14)

If any man's work shall be burned, he shall suffer loss: but he himself shall be saved; yet so as by fire." (1 Corinthians 3:14-15)

- a. The Christian's Reward for Faithfulness and Service to the Lord . Rewards are never for Salvation, but, for our faithfulness after we are saved.

"If any man's work abide which he hath built thereupon, he shall receive a reward. (1 Corinthians 3:14)

- b. In Verse 15, the Christian's unfaithfulness to serve the Lord is described, and that his works will be thrown in the fire as there are no rewards. Notice that the Lord says that

person is still saved. In other words, a person cannot make God a liar and unfaithful to His promise of everlasting life; because a Christian is unfaithful to the Lord.

"If any man's work shall be burned, he shall suffer loss: but HE HIMSELF SHALL BE SAVED; yet so as by fire." (1 Corinthians 3:15)

C. The 144,000 Witnesses of Revelation 14:1-5.

"And I looked, and, lo, a Lamb stood on the mount Sion, and with him an hundred forty and four thousand, having his Father's name written in their foreheads. (V.1)

And I heard a voice from heaven, as the voice of many waters, and as the voice of a great thunder: and I heard the voice of harpers harping with their harps: (V.2)

And they sung as it were a new song before the throne, and before the four beasts (Gr. "living creatures"), and the elders: and no man could learn that song but the hundred and forty and four thousand, which were redeemed from the earth. (V.3)

These are they which were not DEFILED WITH WOMEN; for they are virgins. These are THEY WHICH FOLLOW THE LAMB WHITHERSOEVER HE GOETH. These were redeemed from among men, BEING THE FIRSTFRUITS unto God and to the Lamb. (V.4)

And IN THEIR MOUTH WAS FOUND NO GUILE: for THEY ARE WITHOUT FAULT before the throne of God." (Revelation 14:1-5)

These verses give a wave of truth extending to the end of the Tribulation Period. This chapter, along with Chapter 7, are the only two places we find the 144,000. Here we find additional information concerning them. In Verse 4, three things are revealed:

1. **Verse 4a:** They are men who are not married; nor ever have been, as they are virgins. "Not defiled with women" does not mean that wives ruin men; since, God instituted marriage. Here it is only referring to being free of the responsibilities of providing a home, raising a child, and caring for his wife.

2. **Verse 4b:** "They follow the lamb (Christ) whithersoever he goeth." They will have no permanent home, as they continually travel wherever Christ leads them. They will be leading people to Christ all over the world; and warning them about the False Prophet, Beast, and Antichrist and not to take the mark of 666.

3. **Verse 4c:** They will be saved almost immediately after the Rapture, as they are the "first fruits" of the multitude that will be saved out of the Tribulation.

a. Others will survive and be alive when Christ returns.

"After this I beheld, and, lo, a great multitude, which no man could number, of all nations, and kindreds, and people, and tongues, stood

before the throne, and before the Lamb, clothed with white robes, and palms in their hands;" (Revelation 7:9)

"And I said unto him, Sir, thou knowest. And he said to me, These are they which came out of great tribulation, and have washed their robes, and made them white in the blood of the Lamb."– Revelation 7:14

- b. Some will die, being beheaded for their faithfulness to our wonderful Savior, the Lord Jesus Christ. They will receive a Martyr's Crown.

"And I saw thrones, and they sat upon them, and judgment was given unto them: and I saw the souls of them that were beheaded for the witness of Jesus, and for the word of God, and which had not worshipped the beast, neither his image, neither had received his mark upon their foreheads, or in their hands; and they lived and reigned with Christ a thousand years." (Revelation 20:4)

4. **Verse 5: "...in their mouth was found no guile:"** means they spoke no guile. The word "guile" means "no deceit." In other words, they always speak the truth; as they will never compromise as we see so many so-called preachers doing in these last days. One must remember that these 144,000 will be men just like we are today. They will have the old nature, just as every one of us have.

BUT, being a Jew, they probably, or should know, the prophecy of Daniel 9:24-27. Then, after witnessing the Rapture firsthand, they know that in 7 years Christ will return and establish His Kingdom on Earth for a 1,000 years. No wonder, since they were saved right after the Rapture, they realize they must warn their Jewish nation not to accept the Covenant with the federation of united nations offering them peace.

At the end of their ministry, the Holy Spirit inspired John to write, **"...for they are without fault before the throne of God."** They will not be without sin, as they rejected Christ as their Messiah, prior to the Rapture. Now, being saved, they will have received Christ's righteousness.

"For he hath made him to be sin for us, who knew no sin; that we might be made the righteousness of God in him." (2 Corinthians 5:21)

Knowing there is only about 7 years before their Messiah will return, they dedicate themselves completely to preaching the Gospel, undistracted by marriage or any earthly influence.

Now, let us go back to Verses 1-3. The Lord had given John a "motion picture" of what the future holds. Should some lost person read these verses, they would probably think this is an advertisement for one of Stephen King's movies! John sees the 144,000 Jewish witnesses at the conclusion of their ministry with additional information. Here they are with the Lord, who has left His throne and is standing among them on Mount Sion (Zion). All the host of Heaven seems to be celebrating. There are harps being played, along with singing, heard from Heaven.

This was a new song as never sung before. The reason is that there has never been a conflict such as this before. This is a salute to the victory over the Beast, False Prophet, and Satan the Dragon, who is now chained for a 1,000 years in the Bottomless Pit.

“And I saw an angel come down from heaven, having the key of the bottomless pit and a great chain in his hand. (1)

And he laid hold on the dragon, that old serpent, which is the Devil, and Satan, and bound him a thousand years,” (Revelation 20:1-2)

The Beast and the False Prophet are cast into the Lake of Fire. No wonder there is music and singing from Heaven, as these witnesses have stolen many of Satan’s children; and, by the preaching of the Gospel of Jesus Christ, they have now become the Sons of God (John 1:12) and given a heavenly home.

“And the beast was taken, and with him the false prophet that wrought miracles before him, with which he deceived them that had received the mark of the beast, and them that worshipped his image. These both were cast alive into a lake of fire burning with brimstone.” (Revelation 19:20)

In Verse 3 of Revelation 14, the word “beast” is the Greek “ZOON,” and should have been translated “living creatures.” The Greek word for wild beasts or animals is “THERION,” which does not appear here, as it does in Revelation 6:8.

D. Conclusion.

In conclusion we, as Christians, need to know that when we witness and lead someone to Christ, there is rejoicing in Heaven.

“Likewise, I say unto you, there is joy in the presence of the angels of God over one sinner that repenteth (metanoeo).” (Luke 15:10)

“Likewise, I say unto you, there is JOY in the presence of the angels of God over one sinner that repenteth.” The Greek for “repenteth” is “metanoeo” and means: a change of mind concerning Christ.” It is not as our English word which is sorrow for a sinful act.

The Lord’s will for all Christians, until death or the Rapture, can be summed up in 2 Timothy 4:2,5,

“Preach the word; be instant in season, out of season; reprove, rebuke, exhort with all longsuffering and doctrine.” (2 Timothy 4:2)

“But watch thou in all things, endure afflictions, do the work of an evangelist, make full proof of thy ministry.” (2 Timothy 4:5)

Therefore, when my life comes to an end, I would want to be able to say, as the Apostle Paul, in 2 Timothy, Verses 6-8,

"For I am now ready to be offered, and the time of my departure is at hand. (V.6)

I have fought a good fight, I have finished my course, I have kept the faith: (V.7)

Henceforth there is laid up for me a crown of righteousness, which the Lord, the righteous judge, shall give me at that day: and not to me only, but unto all them also that love his appearing." (2 Timothy 4:6-8)

VII. IS THERE A REVIVAL OF THE ROMAN EMPIRE?

Some prophecy teachers have taught, and still do, that there will be a revival of the Roman Empire during the 7-Year Tribulation Period. They base their theory of teaching on two verses, Revelation 17:9 and 5.

"And here *is* the mind which hath wisdom. The seven heads are seven mountains, on which the woman sitteth." (Revelation 17:9)

The woman is identified in Verse 5 of the same chapter.

"And upon her forehead *was* a name written, MYSTERY, BABYLON THE GREAT, THE MOTHER OF HARLOTS AND ABOMINATIONS OF THE EARTH." (Revelation 17:5)

In Verse 9, they are correct in stating that Rome was built on seven hills. In Verse 5, they incorrectly identify the "harlot" as the Roman Catholic Church with her myriads of false teachings. They reason that this existed during the Roman Empire that ruled the so-called world. Therefore, the one-world religion will be the Roman Catholic Church, and the one-world government will be the revival of the Roman Empire.

In Section H, of this book, we have expounded on the False Prophet who will be over the religions of the world during the first 3 ½ years of the Tribulation Period. The Roman Catholic Church has always wanted to be the world church of religion. Even by adopting the name "catholic" which means "universal" to seduce the world that she is the only true church. Even today she has not achieved that goal; and neither will she during the Tribulation Period.

Rome was not a one-world government. By that I mean, an "over all the world" government. Following this section, we have inserted a map showing what a small portion of the world they actually ruled.

What percentage of the total land area of the continents did the Roman Empire occupy at its greatest extent in 117 A.D? Only 4.4%

1. At the height of its territorial expansion in 117 A.D. the Roman Empire spanned an area of some 2.5 million square miles (6.5 million square kilometers). (BibleStudy.org, also known as Barnabas Ministries)

2. The total land area of all continents is approximately 57,308,738 Sq. Miles (148,429,000 Sq. Km) or 57.3 million sq. miles. (EnchantedLearning.com/ World Geography)

3. Therefore, the Roman Empire only occupied 4.4% of the total land area of the world.

(Please refer to the Map entitled, “Map of Roman Empire At Its Greatest Extent – 117 A.D. under Trajan,” on Page 174.)

The reason there is not a revival of the Roman Empire, is that the Antichrist would only be ruling over the same area as it covered. This would contradict the Scriptures that state the one-world government will be universal. Revelation 13:7 is one example.

“And it was given unto him to make war with the saints, and to overcome them: and power was given him over ALL kindreds, and tongues, and nations.” (Revelation 13:7)

Note: Read Revelation 13:13-18. These verses are referring to every human being alive on the Earth; NOT those isolated to the area of the Old Roman Empire.

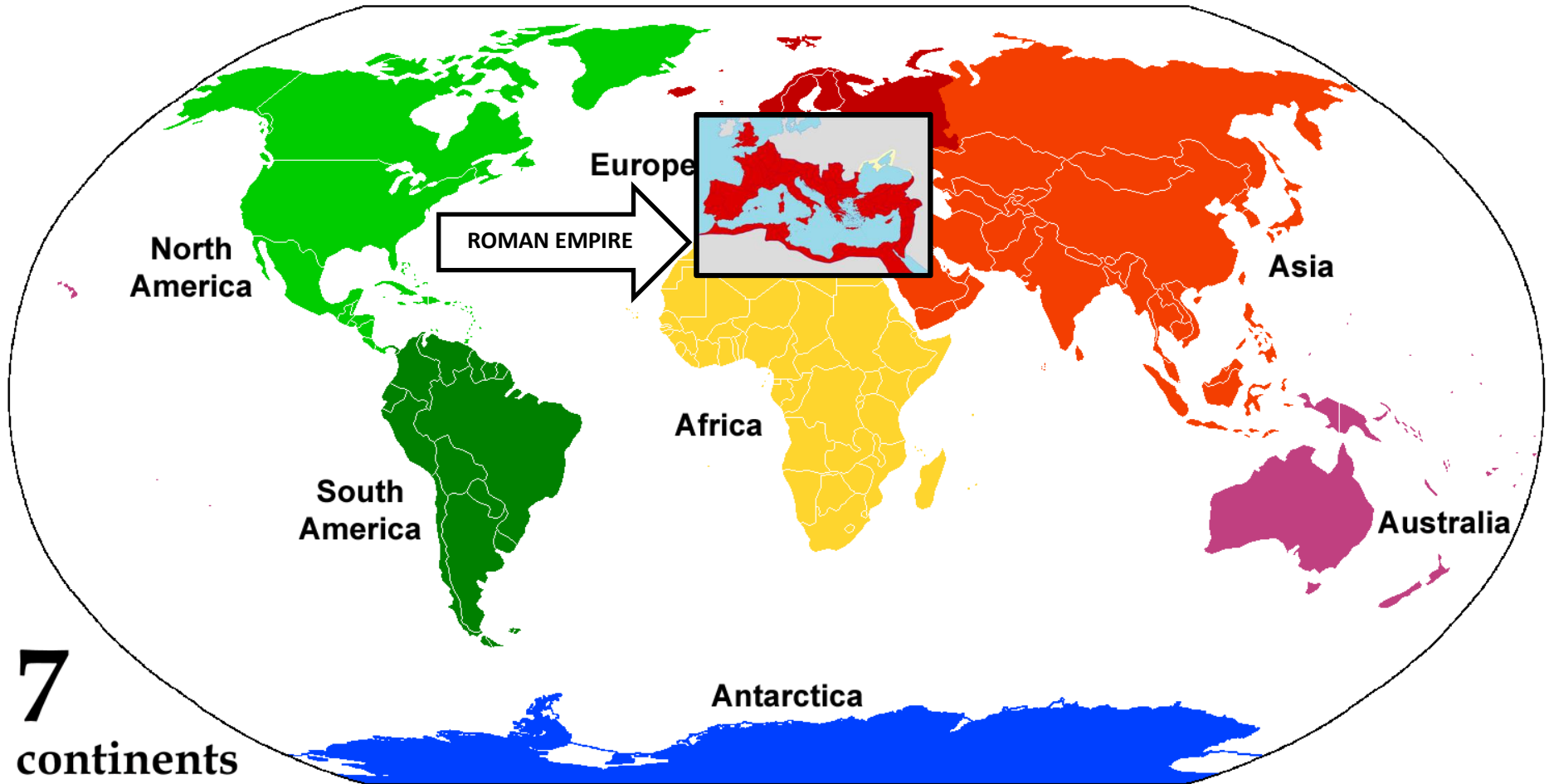
I have a list of sixty cities that are built on seven hills, and there are more. I have only listed seven as an example.

1. Amman, Jordan
2. Armagh, Northern Ireland
3. Cincinnati, Ohio, United States
4. Istanbul, Turkey
5. Los Angeles, California, United States
6. Somerville, Massachusetts, United States
7. Worcester, Massachusetts, United States

Nowhere does the Bible teach a revival of the Roman Empire. The Bible does teach a one-world universal government, run by the Antichrist who claims to be the God of Creation.

MAP OF ROMAN EMPIRE AT ITS GREATEST EXTENT – 117 A.D.

ROMAN EMPIRE IS THE INSERT ON POLITICAL MAP OF THE WORLD



The total land area of all continents is approximately 57.3 million sq. miles. At the height of territorial expansion in 117 A.D. the Roman Empire spanned an area of only 2.5 million square miles.

THEREFORE, THE ROMAN EMPIRE ONLY OCCUPIED 4.4% OF THE TOTAL LAND AREA OF THE WORLD.

VIII. THE DAYS OF THE TRIBULATION WILL BE SHORTENED (DANIEL 12:11,12)

"And except those days should be shortened, there should no flesh be saved: but for the elect's sake those days shall be shortened."
(Matthew 24:22)

Many have questions about this portion of Scripture. It is referring to the "days" of the Tribulation Period and its total length. Commentaries don't agree with each other and neither do pastors.

There is another giving of time recorded in Daniel 8:13,14, which also applies to the same period of time as Daniel 12:11,12. From the context, all have to do with the Tribulation Period of seven (7) years following the Rapture

The following is a brief outline concerning the number of days in reference to the Tribulation Period, as recorded in the book of Daniel. These references are found in Daniel 8:13, 14 and Daniel 12:11,12.

We do know that the Antichrist makes a covenant with Israel in the first part of the Tribulation, allowing them to worship in their Temple and offering them perpetual peace (Daniel 9:27). In the middle of the Tribulation, after 3 ½ years, he breaks the covenant with Israel and seeks to destroy them all.

This is the "Abomination of Desolation" spoken of in Daniel 9:27 and amplified upon in Matthew 24:15-22. The verses we are reviewing in Daniel, Chapter 8 and Chapter 12, are in reference to the last 3 1/2 years of the 7-year Tribulation Period, known as the GREAT Tribulation.

The following diagram on Page 180, and explanation, should illuminate these verses in their proper context.

In Daniel 12:11 we are told that

"...FROM THE TIME that the daily sacrifice shall be taken away..."

Since the daily sacrifice is taken away by the Antichrist in the middle of the Tribulation; i.e. after 3 ½ years, we know these Scriptures are dealing with the last 3 ½ years of the Tribulation. The same is true in Daniel 8:13,

" ...concerning the daily sacrifice and the host (Israel) to be trodden underfoot."

In Daniel 8:14 we find the answer to verse 13, by recording a number of days concerning the last half of the Tribulation Period. Here is the record:

"And he said unto me, unto two thousand and three hundred days, then shall the sanctuary be cleansed."

The Sanctuary will be cleansed by the coming of Christ at the end of the Tribulation. After the Antichrist breaks his covenant with Israel in the middle of the Tribulation, he goes into the

Temple and declares himself to be God (2 Thessalonians 2:3,4) and demands all to worship him by taking his mark, "666" (Revelation 13:16-18).

When Christ returns, He will chain Satan for 1,000 years. (Revelation 20:2,3) Christ will then sit on the Throne and reign as King of Kings for a 1,000 years; after which He will create New Heavens and a New Earth.

Notice, in Verse 14 the word "**days**" does not appear in the Majority Text. The Hebrew reads "**evenings and mornings,**" instead of "**days.**" This is referring to the sacrifices offered—one in the evening and one in the morning (Exodus 29:39). The evening and morning sacrifices constituted one day. Therefore, having 2,300 evening and morning sacrifices would constitute 1150 days, which would equate to 3 years, 2 months, and 10 days. Remember, in prophecy we always figure 30 days to a month—as in the Jewish calendar.

Now, let us go to Daniel 12:11, 12.

"And from the time that the daily sacrifice shall be taken away, and the abomination that maketh desolate set up, there shall be a THOUSAND TWO HUNDRED AND NINETY days." (3 years and 7 months.) (V.11)

"Blessed is he that waiteth, and cometh to the THOUSAND THREE HUNDRED and FIVE and THIRTY days." (3 years, 8 months, 15 days). (V.12)

A. Explanation of the "Diagram: The Shortening of the Days of the Tribulation. (Pg. 180).

1. Here are the three sets of figures Daniel gives:

1. Daniel 8:14 :3 yrs., 2 months., 10 days - "**Then shall the sanctuary be cleansed.**"
2. Daniel 12:11: 3 yrs., 7 months. (Length of time from the "**Abomination.**"
3. Daniel 12:12: 3 yrs., 8 months, 15 days ("**Blessed is he that waiteth...**"

Since all figures are referring to the last half of the Tribulation Period, there must be a reason why they all differ. If we subtract 3 years, 2 months, and 10 days in Daniel 8:14 from 3 years, 7 months in Daniel 12:11, this would account for the time shortened as recorded in Matthew 24:21,22; since Matthew is speaking of the same period of time (the Tribulation Period) as Daniel, which would be 4 months and 20 days.

If we compare Verse 11 (3 years, 7 months) with Verse 12 (3 years, 8 months, 15 days) of Daniel, Chapter 12, we see an extended length of time of 45 days. This can be accounted for, as there are several things that transpire at Christ's return to establish the Kingdom. Now, let us go to the diagram where we see the 45 days. Under that we see 30 days with the Letters A, B, C, D; and the 15 days with the Numbers 1, 2, 3. The Tribulation Period is now ended with Christ's Return, and this is what He accomplishes in the first 45 days after His arrival as King of Kings and Lord of Lords.

2. 30 days with Letters A, B, C, D.

- A. Chaining of Satan: (Revelation 20:1-3.)
- B. Judgment of Nations: (Matthew 24:30, 40, 41; Matthew 25:31-34, 41; 2 Tim. 4: 1.).
- C. Battle of Armageddon:(Revelation 14:14-20; Revelation 16:10-16; Joel 3:1-4,9-16).
- D. Saints Receive Resurrected Bodies: (Daniel 12:2; John 6:39,40; Revelation 20:4,6.).

3. 15 Days with Numbers 1, 2, 3.

1. 7-1 (Seventh Month, First Day): Feast of Trumpets (Re-gather Israel). Israel was to sound the trumpets: (Leviticus 23:23-25). This is how they were used in the Old Testament concerning Israel.

- a. To assemble the people (Numbers 10:2,3) with 2 trumpets.
- b. To gather the leaders of Israel (Numbers 10:4) with 1 trumpet.
- c. To "Forward March!" (Numbers 10:5,6)
- d. To go to war (Numbers 10:9).
- e. Blown at the solemn feasts (Numbers 10:10).

In Matthew 24:30, 31, the sound of a trumpet will be heard to summon the saved in Heaven (Those awaiting their resurrected bodies) to accompany His return. The saved of Israel will be re-gathered—those in Heaven and those alive at the end of the Tribulation—and the Kingdom will be established. Israel's land—promised to Abraham, Isaac and Jacob, will now be occupied and enjoyed. (Ezekiel, Chapter 48)

2. 7-10 (Seventh Month, Tenth Day): The Feast of Atonement (Israel's sins forgiven.) (Romans 11:26,27; Leviticus 23:27).

During the last 3 ½ years of the Tribulation, two-thirds of all the Jews in Palestine will be killed by the Antichrist (Zechariah 13:8,9). In the rest of the world, outside of Palestine, only one out of ten Jews will survive. (Isaiah 6:11-13 and Amos 5:1-3) After all of Israel's persecution for disobedience, at last God says,

“They shall call on my name, and I will hear them. I will say, It is my people; and they shall say, The LORD is my God.” (Zechariah 13:9)

3. 7-15 (Seventh Month, 15th Day): The Feast of Tabernacles (Booths) The Millennium. (Leviticus 23:33-44; Zechariah 14:16-19).

This feast was celebrated as a remembrance of Israel's wilderness journey and God's miraculous protection and preservation for 40 years. It will be observed throughout the Millennium as a reminder of God's providential care, protection and preservation since they were formed as God's chosen people. Their unfaithfulness throughout the millenniums could never make God become unfaithful to His promises concerning them.

B. Summary: The Tribulation Will Be Cut Short by 4 Months and 20 Days.

1. The Tribulation will be cut short by 4 months, and 20 days. In Daniel 12:11, we have 3 years, 7 months. In Daniel 8:14, we have 3 years, 2 months, 10 days. Since both are in reference to the last 3 1/2 years of the Tribulation Period, we can see a difference of 4 months, 20 days; thus, illuminating Matthew 24:21, 22.

"For then shall be (the) great tribulation, such as was not since the beginning of the world to this time, no, nor ever shall be. (V. 21)

And except those days should be shortened, there should no flesh be saved: but for the elect's sake (i.e., the saved of Israel) these days shall be shortened." (V. 22).

2. Comparing Daniel 12:11 with Daniel 12:12, we have the difference of 45 days or a month and a half. The reason we divided this into 30 days and 15 days is because of the three feast days; which, prophetically, have not yet been fulfilled; whereas the first four have. These seven feasts as recorded in Leviticus 23 and etc., are types of future fulfillments.

- a. **"The Feast of Passover"** (Exodus 12) is fulfilled in Christ's Crucifixion. 1 Corinthians 5:7 states,

"For even Christ our passover is sanctified for us.

- b. **"The Feast of Unleavened Bread,"** fulfilled in Christ's sinless life and enjoins the Christian to lead a clean life as stated in I Corinthians 5:7a,

"Purge out therefore the old leaven that ye may be a new lump..."

Even Judas said in Matthew 27:4,

" I have sinned in that I have betrayed innocent blood."

- c. **"The Feast of First Fruits"** is fulfilled by Christ's Resurrection as stated in I Corinthians 15:20,23.

"But now is Christ risen from the dead, and become the first fruits of them that slept."

- d. **"The Feast of Pentecost,"** fulfilled fifty days after Christ's Resurrection by the giving of the Holy Spirit. "Pentecost" means Fifty, as the Holy Spirit came exactly as promised—fifty days after His Resurrection. (Acts 1:3,4),

This, therefore, leaves the last three feasts of "Trumpets," "Atonement," and "Tabernacles" to be fulfilled in type, as shown on our diagram. These three feasts cover a period of 15 days.

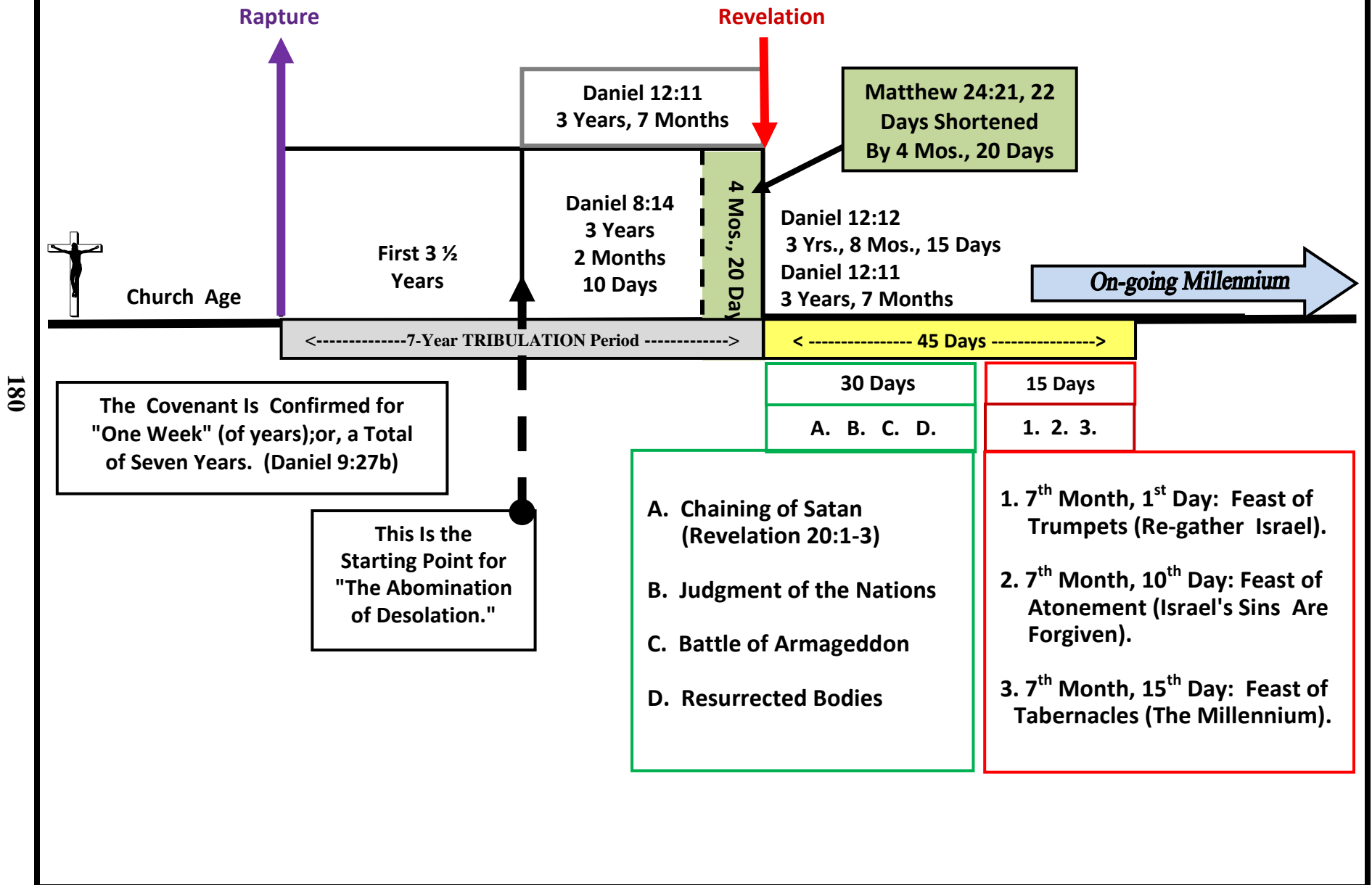
- e. **"The Feast of Trumpets,"** beginning the 1st Day of the 7th Month (Leviticus 23:23-25);

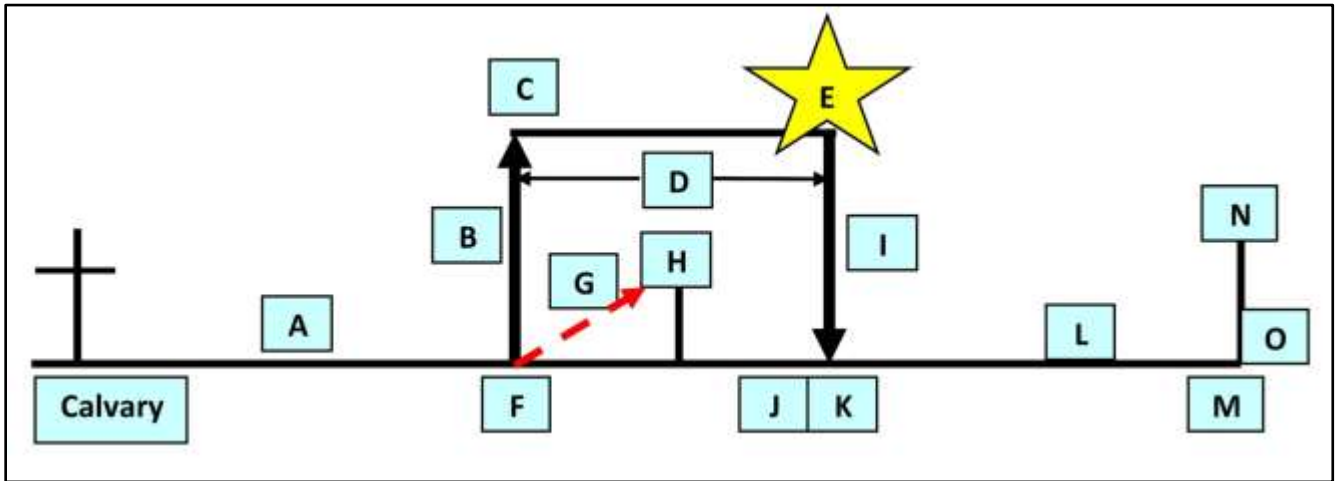
- f. **"The Feast of Atonement,"** beginning the 10th Day of the 7th Month (Leviticus 23:27); and the...

g. “**Feast of Tabernacles,**” beginning on the 15th Day of the 7th Month, making a total of 15 days. The Feast of Tabernacles will continue on, once a year, into and throughout the Millennium (Zechariah 14:16-19).

The remaining 30 days will be occupied with the Old Testament Saints receiving their resurrected bodies; Christ chaining Satan for a 1,000 years; Christ victorious in the Armageddon battle; and Christ judging the Nations in preparation for His Kingdom Reign.

DIAGRAM - THE SHORTENING OF THE DAYS OF THE TRIBULATION





THE MARRIAGE SUPPER OF THE LAMB: STAR "E"

"Let us be glad and rejoice, and give honour to him: for the marriage of the Lamb is come, and his wife hath made herself ready." – Revelation 19:7

A. Who Is The Bridegroom?

The Bridegroom, referred to as the "Lamb," is none other than the Lord Jesus Christ. John 1:29 tells us that,

"The next day John seeth Jesus coming unto him, and saith behold the Lamb of God, which taketh away the sin of the world."

John's reference to the "Lamb of God," of course, reminds us of how our Savior shed His blood upon Calvary as payment for our sins. Peter in his First Epistle, 1:18,19 describes this perfectly.

"Forasmuch as ye know that ye were not redeemed with corruptible things, as silver and gold, from your vain conversation received by tradition from your fathers." (V. 18).

But with the precious blood of Christ, as of a lamb without blemish and without spot." (V.19).

1. The Bridegroom in Relation to Israel.

Had Israel, as a nation, accepted Christ as their long prophesied Messiah, then He (the Bridegroom) would have taken Israel as His Wife, and established the Kingdom at that time.

2. Mark 2:19, 20. The Marriage and Kingdom on Hold?

When the Scribes and Pharisees were finding fault with Christ's disciples because they did

not fast, the Lord stated in Verse 19,

“...Can the children of the bridechamber fast, while the bridegroom (Christ) is with them?...”

Then in Verse 20, He speaks about His Ascension back to Heaven as the Marriage and the Kingdom would be put on hold.

“But the days will come, when the bridegroom (Christ) shall be taken away from them, then shall they fast in those days.”

The reason is explained by John 1:11.

“He (i.e., Christ, the Bridegroom) came unto his own (Israel to reign with Him as his wife) and his own received him not.”

Therefore there is no unity of marriage, as Christ returns to Heaven (Acts 1:4).

3. Who is the Bride?

As one studies Hosea, Ezekiel, and Isaiah; we find that all three great prophets address Israel as the WIFE of Jehovah. Israel is also referred to as the BRIDE in John 3:29. This is John the Baptist’s testimony about his relationship to Christ.

“He (Christ) that hath the bride (Israel) is the bridegroom: But the friend (John the Baptist) of the bridegroom, which standeth and heareth him, rejoiceth greatly because of the bridegroom’s voice: This is my joy therefore fulfilled. (John 3:29)

4. The Wife (Israel) Rejects the Bridegroom (Jesus Christ).

As the Old Testament prophets state, Israel is the forsaken Wife of Jehovah, embodied by Christ in human flesh. Because of Israel’s idolatries and her adulteries and her rejection of her Bridegroom (Christ), she is an alienated wife. She will, in the future, be restored and reign with Christ in the Kingdom forever. (Ezekiel 36:16-38).

5. The Wife of the Lamb in Revelation 19:7.

“Let us be glad and rejoice, and give honor to him: for the marriage of the Lamb is come and his WIFE (bride) hath made herself ready.”

The "Wife," or Bride, is not Israel; but, rather the Church; i.e., all Christians from Pentecost to the Rapture, a time known as the Dispensation of Grace. It is the Spiritual Body of Christ (1 Corinthians 12:13).

When Israel, as the Wife of Jehovah, is restored she will not be considered a bride; as no restored wife is ever referred to as a VIRGIN. But in Revelation 19, we find the wife (bride) is a virgin. The Word of God in 2 Corinthians 11:2 speaks concerning the Church:

“...I have espoused you to one husband (Christ), that I may present you as a chaste VIRGIN to Christ.”

Further, in Ephesians 5:30-32, the Word of God states,

“For we are members of his body, of his flesh, and of his bones. (V.30) For this cause shall a man leave his father and mother, and shall be joined unto his wife, and they two shall be one flesh. (V.31) This is a great mystery: but I speak concerning CHRIST AND THE CHURCH.” (Ephesians 5;30-32)

These verses tell us, therefore, that the Bride, married to our Lord, is the Church made up of every saved individual.

B. Examining Revelation 19:7,8.

1. Revelation 19:7a.

“For the marriage of the Lamb is come.”

A marriage constitutes the living together. The beginning of Christ’s (the Bridegroom’s) marriage to the church, positionally and practically, occurs at the Rapture; and will continue throughout eternity. What a wonderful marriage this will be at the Rapture. The Bride will never sin against the Bridegroom throughout eternity. Just as Christ did not possess a sinful nature, neither will the Christian. We will have a new body at the Rapture (i.e., the marriage), void of the old nature we inherited from Adam. Philippians 3:20, 21 explains,

“For our conversation (Greek, “citizenship”) is in heaven; from whence also we look for the Saviour, the Lord Jesus Christ, (V.20)

Who shall CHANGE our VILE BODY, that it may be fashioned like unto his glorious body....”

In 1 Corinthians 15:53 we are told concerning our new bodies;

“For this corruptible (bodies that have died) must put on incorruption” (sinless bodies that will never die) and this mortal (those alive at the Rapture) must put on immortality (sinless bodies that will never die).”

“And so shall we ever be with the Lord.” (1 Thessalonians 4:17)

2. Revelation 19:7b.

“And his wife hath made herself ready.”

This event takes place at the Judgment Seat of Christ in Heaven, after the Rapture. Always remember that Heaven is NEVER a reward, but a GIFT. Ephesians 2:8,9 makes this perfectly clear.

“For by grace are ye saved through faith; and that not of yourselves: it is the GIFT of God. Not of works, lest any man should boast.”

In Romans 5:15-17, salvation is described as a "GIFT" five (5) times. Rewards are given at this judgment for our faithfulness to Christ while living on the Earth after we are saved. Notice 2 Corinthians 5:10,

"For we must all appear before the judgment seat of Christ; that every one may receive the things done in his body, according to that he hath done, whether it be good or bad." (Also see Romans 14:10-12).

In 1 Corinthians 3, which is addressing the Christian, our faithfulness and good works and/or our unfaithfulness and disgraceful works are described in Verse 12,

"Now if any man build upon this foundation gold, silver, precious stones (i.e., faithfulness and good works) or wood, hay, stubble; (i.e., a disgraceful life)."

Now in Verse 14 concerning the gold, silver, precious stones in Verse 12 we are told,

"If any man's work abide (i.e., are pleasing unto the Lord) which he hath built thereupon, he shall receive a REWARD."

In Verse 15 we have the results of living a disgraceful life, described as "wood, hay, and stubble" in Verse 12.

"If any man's work shall be burned, he shall suffer loss: (i.e. of rewards) but he himself shall be saved; yet so as by fire."

With this judgment in mind, we can now continue.

3. Revelation 19:8.

"And to her (the Bride) was granted that she should be arrayed in fine linen, clean and white: for the fine linen is the RIGHTEOUSNESS of the Saints."

In Christ's time, there were many people who wore an inner garment and an outer garment. In Matthew 5:40 we have this verified.

"And if any man will sue thee at the law, and take away thy coat (Greek "chiton," "inner garment"), let him have thy cloak (Greek "himation," "outer garment") also."

The Roman world, as was their custom, wore two robes. The inner robe was called a TUNIC; and the outer robe, which was loose fitting, was called a TOGA. The inner garment in Revelation 19:8 is in reference to the righteousness of the saints. The inner, white robe is for every Christian, showing they have the righteousness of Christ given to them for their faith.

"For he hath made him (Christ) to be sin for us, who knew no sin; that we might be made the RIGHTEOUSNESS of God in him." (1 Corinthians 5:21)

4. Revelation 3:4, 5.

The inner robe is for salvation. Both garments are referred to in Revelation 3:4,5. Notice carefully that Verse 4 is speaking of our works, or our faithfulness to the Lord. This outer white garment, the TOGA is the same as that in Revelation 19:8.

"Thou hast a few names even in Sardis which have not defiled their garments; and they shall walk with me in WHITE: for they are worthy."
(Revelation 3:4)

Notice Verse 5, which is speaking of Salvation and the inner white garment that every Christian will wear.

He that overcometh, the same shall be clothed in WHITE raiment; and I will not blot out his name out of the book of life..." (Revelation 3:5)

This is the inner garment of Salvation, the TUNIC. How wonderful it will be to see every Christian that makes up His Bride wearing their beautiful white robes of righteousness, known as the TUNIC. This will not be so concerning the TOGA, the outer robe. This will be made in the likeness of our faithfulness in serving the Lord.

Dr. Lehman Strauss, that great Jewish Bible expositor and conference speaker gave his observation concerning Verse 8 as such. "That at the marriage each of us will be wearing the wedding garment of our own making." How true this is.

C. "Family Pictures" at The Judgment Seat of Christ.

Can you picture with me for a moment, as we stand before Christ in Heaven. Here stand all Christians (His Bride), as he now calls each one to step forward. On one he places this beautiful outer white robe for their dedication and faithfulness to him. Others are left standing with no rewards, as all their works have burned up. They are saved "so as by fire," as though they had escaped a burning house naked.

Some will step forward to receive one of the five crowns for various acts of faithfulness.

1. A "Crown of Rejoicing," the Soul Winner's Crown (1 Thessalonians 2:19,20; Proverbs 11:30,31).
2. A "Crown of Righteousness..." They are looking for Christ's return (2 Timothy 4:8).
3. The "Incorruptible Crown," for living a separated life (1 Corinthians 9:25-27).
4. A "Crown of Life," for enduring testings; even being faithful unto death (James 1:12; Revelation 2:10).
5. A "Crown of Glory," for being faithful in care of the flock, a pastor's crown (1 Peter 5:1-5).

As a Christian, what kind of robe are you going to be weaving for yourself? 1 Corinthians 15:58 is a promise from the Lord that we will be rewarded for our faithfulness to him.

“Therefore my beloved brethren, be ye steadfast, unmoveable, always abounding in the work of the Lord, forasmuch as ye know that your labor is NOT IN VAIN in the Lord.”

May the words of this old song touch our hearts.

“Turn your eyes upon Jesus,
Look full in His wonderful face.
And the things of Earth will go strangely dim,
In the light of His glory and grace.”

D. The "Reception" After the Marriage (Revelation 19:9).

“And he said unto me, Write, Blessed are they which are called unto the marriage supper of the Lamb...”

In Verse 7, we had the Marriage of the Lamb, the Church uniting and living with Christ, beginning at the Rapture. Now in Verse 9 we have the Marriage Supper, an additional event after the marriage. The supper is altogether different from the marriage. Three items will be addressed in this verse. They are “**The Supper,**” and the “**Called;**” or Guests; and “**Where will it take place?**”

E. The Marriage Supper.

We would like to take notice first of all that this is NOT the reinstatement of the Lord’s Supper as given in 1 Corinthians 11. The Lord’s Supper was an ordinance given to the Church (the Bride) to observe while on Earth; and this ordinance will END at the Rapture, as the Church will be taken to Heaven. This is made clear from 1 Corinthians 11:26.

“For as often as ye eat this bread and drink this cup, ye do shew the Lord’s death TILL HE COME.”

The ordinance of the Lord’s Supper ends with Christ’s coming and taking his Church (Bride) to Heaven.

The question has been proposed, “Who is going to be able to eat at this supper; since all Christians (the Bride) in Heaven will be in their resurrected bodies?” Remember, Christ ate in His resurrected body as we are told in Luke 24:42,43,

“And they gave him (Christ) a piece of a broiled fish, and of an honeycomb. And he took it and did eat before them.

We might also be thrilled to know that God has made it possible for the saints to be able to enjoy eating many varieties of fruit, during the Millennium and throughout Eternity. Revelation 22:1,2 describes this.

“And he shewed me a pure river of water of life, clear as crystal, proceeding out of the throne of God and of the Lamb. (V.1)

In the midst of the street of it, and on either side of the river, *was there* the tree of life, which bare twelve *manner of* fruits, *and* yielded her fruit every month: and the leaves of the tree *were* for the healing of the nations." (V.2)

The word "healing" is the Greek "therapeia," meaning "health and enjoyment." It does not give health in the sense of healing a person from being or becoming ill. Our resurrected bodies will never get sick or die. (Revelation 21:4). It will be healthy, in the sense of feeling good, by enjoying the privilege of eating all these varieties of fresh fruits. I am sure the Lord will have avocados, as they are one of my favorites.

Therefore, at the Marriage SUPPER of the Lamb we will, in our resurrected bodies, be able to feast and enjoy whatever the Lord has planned to serve.

1. Where Will This Supper Take Place?

I am not aware of any Scripture that tells us for sure of the exact location of this supper. There are Scriptures that point in the direction, and indicate that our wedding feast may take place in the New Heavenly Jerusalem. Notice in Revelation 21:2, since the Church is the Bride of Christ.

"And I John saw the holy city, new Jerusalem, coming down from God out of Heaven, prepared AS a bride adorned for her husband."

Here the beauty of the Holy City is likened unto a bride who beautifully adorns herself for her husband. Here, God reveals this beautiful city, which His Son, Jesus Christ, presents as a dwelling place for His Bride, the Church.

In Revelation 21:9,10, we are further told concerning this heavenly city,

"And there came unto me one of the seven angels which had the seven vials full of the seven last plagues, and talked with me, saying, Come hither; I will shew thee the bride, the Lamb's wife. (V.9).

And he carried me away in the spirit to a great and high mountain, and shewed me that great city, THE HOLY JERUSALEM, descending out of heaven from God." (V.10).

Could it be when the Lord shows His Church (the Bride) the New Jerusalem, that he will have the Marriage Supper within its confines? Wouldn't it be wonderful, as we view this beautiful city approximately 1500 miles square, to then be invited in to sit with our Wonderful Savior and enjoy the Marriage Supper? This appears, from the foregoing Scriptures, to be a good possibility; but, only time will bear this out.

2. Revelation 19:9. The "Called" Guests.

The "Called" (guests), who are they? By deductive reasoning, we can conclude that the guests will be those already in Heaven. Since the Marriage Supper probably takes place in the

New Jerusalem in Heaven, earthly beings are exempt as 1 Corinthians 15:50 clearly states:

“Now this I say, brethren, that flesh and blood cannot inherit the kingdom of God; neither doth corruption inherit corruption.”

This leaves, as the guests, all the saved from Adam and Eve up to Pentecost, plus the Tribulation martyrs; since the Tribulation Period is the completion of the Old Testament. Pentecost, of course, is the “birthday” of the Church and consummates at the Rapture.

3. Matthew 26:29. A Feast On Earth Different From The Marriage Feast In Heaven.

“But I say unto you, I will not drink henceforth of this fruit of the vine, until that day when I drink it new with you in my Father’s kingdom.”

This was the Passover Feast for Israel on Earth, not the Lord’s Supper for the Church in Heaven. A custom of the celebration of Passover by the Jews, even today, is to use four (4) cups at the feast. There was the Cup of Sanctification, which was passed around for everyone to drink of. The same was done with the Cup of Blessing, the Cup of Judgment, and the Cup of Communion. Christ would not drink of the Cup of Communion, as He knew Israel, as a nation, would reject him as their Messiah. Therefore, no communion as the earthly Kingdom would be put on hold, and the Church Age would be ushered in.

He *will* drink this Cup of Communion with the 12 Apostles and all the Old Testament Saints at the Passover Feast in the Millennial Kingdom. We are told in Matthew 8:11,

“That many shall come from the east and west, and shall sit down with Abraham, and Isaac, and Jacob in the kingdom of (from) heaven.”

The “Kingdom from Heaven” is mentioned some 38 times, and only in Matthew, the Kingdom Book. It is always in reference to Christ’s earthly Kingdom. In Luke 22, after describing the same Passover Feast, we are told in Verse 30, concerning the 12 Apostles,

“That ye may eat and drink at my table in my kingdom (i.e., on earth), and sit on thrones judging the twelve tribes of Israel.”

Ezekiel, in Chapters 40-48, describes in much detail what will take place during the Millennium. We learn from Ezekiel 45:21 and other Scriptures, the Passover will again be observed.

“In the first month, in the fourteenth day of the month, ye shall have the passover, a feast of seven days; unleavened bread shall be eaten.”

This is when and where Christ will drink the Cup of Communion with the redeemed that He had promised.

Remember, all the Old Testament saints now in Heaven will be the Bride’s guests, and feast with the Church at the Marriage Supper of the Lamb in Heaven. Then, they will come

back with Christ, receive their resurrected bodies and feast with Christ at the Passover every year throughout the Millennium.

4. Abraham Looked For the Heavenly City.

Hebrews 11:10 tells us that,

“For he (Abraham) looked for a city which hath foundations, whose builder and MAKER IS GOD.”

This is a heavenly city; NOT an earthly city. Men build earthly cities; but, this one is built in Heaven by God. In Verse 13, all of Abraham’s seed

“...confessed that they were strangers and pilgrims on the earth.”

In Hebrews 11:16 we are told of them,

“But now they desire a better country, that is, an HEAVENLY: wherefore God is not ashamed to be called their God: for he hath prepared for them a CITY.”

In John 14:2 Christ stated that,

“In my Father’s house (Heaven) are many mansions (i.e., dwelling or abiding places)...”

The only heavenly city described in Scripture is the HOLY CITY, the New Jerusalem, in Revelation, Chapter 21. Abraham and his seed (saved Israel) will also have access to the Holy City along with the Bride (the Church).

It should be recognized that all the saved from Adam up to Pentecost are in Heaven now. When Christ ascended, He emptied all of the saved out of Paradise in the heart of the Earth and took them to Heaven with him (Ephesians 4:8-10). These are all in their spiritual bodies; but, not their resurrected bodies. They will receive their resurrected bodies when Christ returns to set up the Kingdom for 1,000 years; but, the Marriage Supper of the Lamb takes place just prior to that.

5. Can One Feast at the Supper In Their Spiritual Body?

From Luke 16:19-24, we have an unsaved, rich man who died and went directly to Hell (Greek “Hades”). In Verse 23 we are told,

“And in hell he lift up his EYES being in torments...”

In Verse 24,

“And he CRIED and SAID...send Lazarus that he may dip the tip of his finger in WATER, and COOL MY TONGUE; for I am TORMENTED in this flame.”

This man in his spiritual body has all the attributes he possessed in his earthly body. He had eyes to see, could talk, had feelings, a sensitive tongue, and etc. A Christian's spiritual body possesses the same attributes; therefore, it seems only reasonable that they could eat and enjoy the feast the same as the Bride (Church) in their resurrected bodies.

6. Angels Will Also Be Present At the Supper.

In Hebrews 12:22 we have recorded,

"But ye are come unto Mount Sion, and unto the City of the living God, THE HEAVENLY JERUSALEM, and to an innumerable company of ANGELS."

Can one imagine what it would be like to attend this supper, and be able to see and talk with Michael, the Archangel, Gabriel, the Seraphims, the Cherubims, the Four and Twenty Elders and all the Heavenly Host? God has revealed to us in the Bible concerning the angels and their activities in serving Him. I think it very possible that God could extend to them the honor and privilege of serving all the Redeemed (Guests) and His Bride (the Church) at the Marriage Supper of the Lamb.

This is just a glimpse of what awaits the Christian as he enters into the presence of His Savior in Heaven. Much more could be written on this subject; but I hope this will give one some illumination concerning the Judgment Seat of Christ and the Marriage Supper of the Lamb.

To be included in this great supper, there is only one condition, belief; and only one way, Christ. In John 14:6 we are told,

"Jesus saith unto him, I am the way, the truth, and the life: no man cometh unto the FATHER, BUT BY ME."

Jesus went to the Cross, submitted His sinless life to death, as the payment for the sins of the world (i.e., every human being). If one sin had not been paid for, Christ would still be in the tomb. BUT, Christ,

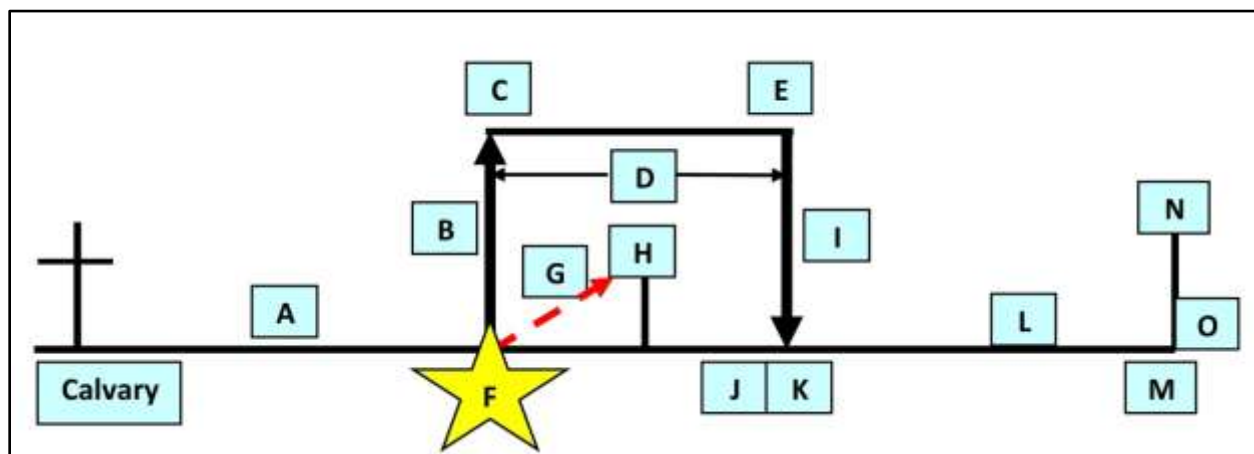
"WHO WAS DELIVERED for our offences, and was raised again for our justification." (Romans 4:25)

Will you believe, with no reservations, that Jesus Christ loved you so much that he died on the Cross, was buried, and rose again the third day to pay for your sins personally. If you believe, or disbelieve, John 3:36 reveals the result of your decision.

"He that believeth on the Son (Christ) hath EVERLASTING LIFE: and he that believeth not the Son shall not see life; BUT the WRATH OF GOD ABIDETH on him." (John 3:36)

All you have to do to be excluded from Heaven, the Marriage Supper of the Lamb, and to spend eternity in Hell, IS NOTHING, just die in your sin of unbelief. I would strongly suggest that you make the wisest decision you will ever make in this life, and that is:

“...Believe on the Lord Jesus Christ and thou shalt be saved...” (Acts 16:31a)



THE FIRST BATTLE OF GOG AND MAGOG: STAR "F"

I. RUSSIA AND HER ALLIES

In our previous study we have found that the United Federation of Nations, influenced by one of their own (the Antichrist), makes a covenant with Israel. The covenant promises perpetual protection and peace. Very soon the next event prophesied will swing into full realization. That event is prophesied in Ezekiel, Chapters 38,39. This pertains to Russia and her five allies in their attack and invasion of the little nation of Israel.

A. Russia Identified in Ezekiel 38:1-3.

"And the word of the LORD came unto me, saying, (V.1)

Son of man, set thy face against Gog, the land of Magog, the chief prince of Meshech and Tubal, and prophesy against him, (V.2)

And say, Thus saith the Lord GOD; Behold, I am against thee, O Gog, the chief prince of Meshech and Tubal:" (Ezekiel 38:1-3)

1. "Gog and Magog."

"Gog" is in reference to the leader and "Magog" is referring to the country or nation. In my study, I have found that almost all prophecy teachers universally agree that "Gog" is the Prince of Russia and "Magog" is the nation, itself. This is without question speaking of Russia. One reason is that in Verse 15 we are told that this nation will come against Israel out of the North.

"And thou shalt come from thy place out of the NORTH parts, thou, and many people with thee, all of them riding upon horses, a great company, and a mighty army:" (Ezekiel 38:15)

Also in Ezekiel 39:2 we are told again that this nation will come from the North.

“...and will cause thee to come up from the NORTH parts, and will bring thee upon the mountains of Israel:”

When in connection with Israel, which is the center of the world biblically speaking; North, South, East, and West are always in relation to Israel and its capital, Jerusalem. Check your world map and see for yourself that Moscow, Russia’s capital, lies almost directly north of Jerusalem, the capital of Israel.

Our Bible Encyclopedia, concerning “Gog” and “Magog,” says that they are the farthermost northern nations dwelling in the regions of the Caucasus Mountains and the Volga River in Russia.

“Bishop Lowth of England in 1710 wrote, “Rosh” taken as a proper name, signifies the inhabitants of Scythia, from whom the Russians derive their name.”

The Jewish historian of the First Century, Flavius Josephus, in Book 1, Chapter 6 says, “the Scythians were called Magog.” Our History books tell us the Scythians settled in Russia.

Notice in Verse 2, “**The chief prince of Meshech and Tubal.**” The word “chief” is the Hebrew “ROSH.” The translators took “Rosh” to be an adjective, meaning “chief,” instead of a noun; therefore the proper name of a northern nation, that being Russia. Therefore, the proper translation would be as follows:

“The Prince of Rosh, Meshech and Tubal...”

We might also note that “Rosh” is also the Swedish name for Russia. Meshech would be none other than Moscow, representing the West; and Tubal, present-day Tobolsk, one of the chief cities of Siberia, representing the East. It has a population of a little over 104,000 and houses a major oil refinery.

Whoever heard of Russia 2,600 years ago, as she was non-existent. Only the Lord can name a nation some 2,600 years before it ever existed and state exactly when it will be destroyed. The History Book of the Future is given to mankind to know what is coming next. How gracious the Lord is to tell us in advance.

“Behold, the former things are come to pass, and new things do I declare: before they spring forth I tell you of them.” (Isaiah 42:9)

Note: Please see Map, “Russia and Her Five Allies Come Down Against Israel.” On Page 214.

B. Russia’s Allies Identified In Ezekiel 38:5,6.

The Lord names five nations with their armies that will be in alliance with Russia when she invades Israel. The five are: Persia, Ethiopia, Libya, Gomer, and Togarmah.

1. Persia.

Persia is prophesied to be allied with Russia in the “latter years” (v.8) and “latter days” as stated in Verse 16. Since this invasion will not occur until after the Rapture, yet we see evidence now of Russia supplying aid and weapons to Persia. If they are together now, how close the Rapture must be! This alignment did not just start; but was being formulated many years ago. As far back as 1932, Moscow signed a treaty with Persia. Should there be a war, Russia was promised free access through Persia to the Middle East and to Palestine. Three years after this treaty, in 1935 Persia changed her name to Iran, which we are so familiar with today. Remember her leader, Ahmadinejad, has vowed they would exterminate Israel completely. As we will see later on, it will be the Lord who exterminates the Army of Iran. Iran is under the curse of Almighty God.

Russian President Vladimir Putin has invited Iranian President Mahmoud Ahmadinejad to travel to Moscow for talks, Russian news agency Interfax has reported.

The invitation followed a meeting between Mr. Putin and Mr. Ahmadinejad, who is fighting calls from Western powers to stop nuclear work that the US says is aimed at building atomic bombs. Tehran says it only wants nuclear technology to generate power.

"Ahmadinejad accepted the invitation with gratitude," Interfax quoted the two leaders as saying in a joint statement. "The parties agreed to clear the dates for the visit through diplomatic channels." Mr. Putin also agreed to bring Iran's Bushehr nuclear power plant into operation on schedule following talks in Tehran. "The Bushehr nuclear power plant will be constructed and brought into operation in line with the agreed upon schedule," the statement said. (Note: As of 8/30/10, Russia has given Iran the uranium necessary to bring the plant into operation. Iran now has nuclear capability.)



"The parties... reaffirmed that it will continue to be pursued strictly in line with their commitments under the treaty on the non-proliferation of nuclear weapons." "The US, which sees the plant as part of a nuclear drive through which Iran may try to produce weapons, has urged Moscow to halt construction."

"Mr. Putin has called for patience in the international dispute. In his address to the leaders' summit Mr. Putin has warned against the use of force in the region. Iran is seeking Russia's support in blocking further UN sanctions and continued assistance in building Iran's first nuclear power station."

1a. Relations with Russia.

“Ahmadinejad has moved to strengthen relations with Russia, setting up an office expressly dedicated to that purpose in October 2005. He has worked with Vladimir Putin on the nuclear issue, and both Putin and Ahmadinejad have expressed a desire for more mutual cooperation on issues involving the Caspian Sea. More recently, Iran has been increasingly pushed into an alliance with Moscow due to the controversy over Iran's nuclear program. By late December 2007, Russia began to deliver enriched batches of nuclear fuel to Iran as a way of persuading Iran to end self-enrichment.” (Wikipedia)

2. Ethiopia.

The Hebrew for “Ethiopia” is always “Cush. In the past, Haile Selassie, who claimed to be a Christian, was a friend of the United States. This would not last, as a revolution was about to take place.



16. Emperor Haile Selassie

"After a period of civil unrest which began in February 1974, the aging Emperor Haile Selassie I (Pictured on the left) was deposed. On September 12, 1974, a provisional administrative council of soldiers, known as the Derg ("committee") seized power from the emperor and installed a government which was socialist in name and military in style. The Derg summarily executed 59 members of the former government, including two former Prime Ministers and Crown Councilors, Court officials, ministers, and generals. Emperor Selassie died on August 22, 1975. He was allegedly strangled in the basement of his palace.

Lt. Col. Mengistu Haile Mariam assumed power as...head of state. He killed his two predecessors, and thousands of other suspected opponents. The new Marxist government undertook socialist reforms, including nationalizations of landlords' and church's property. Before the coup, the Ethiopian peasants' way of life was thoroughly influenced by the church teachings; 280 days a year are religious feasts or days of rest. Mengistu's years in office were as a dictator and the country's massive militarization was financed by the Soviet Union and the Eastern Bloc, and assisted by Cuba.

In December 1976, an Ethiopian delegation in Moscow signed a military assistance agreement with the Soviet Union. The following April, Ethiopia abrogated its military assistance agreement with the United States and expelled the American military missions. -- Wikipedia

In December 2007, the Peace Corps returned to Ethiopia after a 10-year absence. Volunteers serve in the realm of health and HIV/AIDS. The United States and Ethiopia supposedly

have a "bi-lateral" relations for counter-terrorism. This is a "social democracy" and our countries have resumed ambassador relations. The U.S. also gives Ethiopia much famine relief.

17. Right: Meles Zenawi and Vladimir Putin.



Today Ethiopia has the biggest economy in East Africa and Central Africa, Recently, human rights abuses have been reported in Ethiopia under Premier Meles Zenawi (pictured on the right) despite the country becoming a leading economic, diplomatic and political force in Africa. The ideology of its ruling power is social democracy, advocating democratic socialism, which boils down to just socialism.

2a. Ethiopia's Relations With Russia.

Russia donated on (July 25, 2010), 805 metric tons of wheat to World Food Program (WFP) Ethiopia. Alexander Letoshnev, Charge d' Affaires of the Russian Embassy in Addis Ababa, said the Russian government commended Ethiopia's success in the agriculture sector. He said his country will remain a development partner of the country. The people and government of Russian will assist the development activities in Ethiopia.

3. Libya.

I believe it was in 1972 that Libya expelled our Air Force out of her country and closed our air bases. One of the great Bible scholars and Bible teachers, who has gone on to be with the Lord, Dr. Mark G. Cambron, had something interesting to say concerning Libya in his book, *While We Wait*, on pages 43,44.

"Several years ago (1979), I was speaking in a Bible Conference held in St. Petersburg. Florida, on this same subject. After the message a dear Brother in the Lord came up to me. saying, 'Dr. Cambron, "I want you to know that your message thrilled me, I saw in the paper where you were going to speak on this subject, and I just had to hear you."' He handed me his card, showing that he was a U.S. Army Lt. Colonel, Retired, Chaplain Corps. He then added. "I was in Libya as an officer when they kicked us out several years ago; and I was in Turkey when they kicked us out of there. Our 'brass' could not understand why these two countries which had been befriended by the United States with substantial financial aid, etc., could do this, but I found that answer today while listening to your message. It has been in the Word all the time that Libya and Turkey would be with Russia in the last days, and they are with her right now. If only those who are in the high offices of our country could have been warned by the Word, the United States would have saved face in Libya and Turkey, and of course, in IRAN!"

1. On April 16, 2008, Russian President, Vladimir Putin, met with Libyan leader, Muammar Qaddafi in Tripoli.

The first outcome of the visit was the settling of Libya's debt to the former Soviet Union. Tripoli recognized the \$4.6 billion sum named by Moscow. In reply, Russia wrote it off in exchange for new and promising contracts with Russian companies. One of them is a Russian Railways (RZD) contract to build a 500-kilometer railroad between Sirt and Benghazi. Its sum is 2.2 billion euros. According to Russia's Finance Minister Alexei Kudrin, the contract will finance 70% of Libya's purchases of plant and equipment in Russia.

Altogether, ten agreements on trade, economic and military cooperation were signed. For understandable reasons the military ones are not publicized, but in the view of Russian analysts they involve deliveries of between \$2 and \$4 billion worth of weapons and equipment.

The Libyan military is interested in the most advanced Russian armaments, many of which have not even been adopted by the Russian army. But Putin did a great thing in Tripoli: he cleared and staked out a patch for Russia's oil and gas companies and paved the way for Rosoboron export in the Libyan arms market, which is worth a lot. (EN.RIAN.RU)

Libya's government is in a state of transition since their revolution and the overthrow and death of the Marxist dictator, Muammar Qaddafi. It is currently under the leadership of the Interim National Transitional Council, a provisional authority, headquartered in Tripoli. It is backed up by the Military Council to ensure the achievement of the new doctrine of the Libyan People's Army in the defense of the people and to protect the borders of Libya

In early June 2011, Russian envoy Mikhail Margelov was received in Benghazi, the *de facto* headquarters of the Libyan opposition. Margelov's stated objective was to broker a truce between anti-Gaddafi forces and the Gaddafi-led government. He left Benghazi with an invitation from the NTC for Russia to open a representative office in the city, though it opted not to do so before recognizing the council as Libya's sole legitimate representative, which it did on 1 September 2011. ("Libyan rebels ask Russia to open mission in Benghazi." RIA Novosti. 8 June 2011. RIA Novosti is the Russian International News Agency.)



18. Mustafa Abdel Jalil, Chairman – National Transitional Council

invitation from the NTC for Russia to open a representative office in the city, though it opted not to do so before recognizing the council as Libya's sole legitimate representative, which it did on 1 September 2011. ("Libyan rebels ask Russia to open mission in Benghazi." RIA Novosti. 8 June 2011. RIA Novosti is the Russian International News Agency.)

We find that on September 1, 2011, Russia recognized Libya's Transitional Council. It appears to be "business as usual." (Gutterman, Steve

1, September, 2011. "Russia recognizes Libya's Transitional Council." Reuters.")

In a surprise to the world, the interim leader of Libya, Mustafa Abdel Jalil (pictured on the previous page),...declared in his "liberation" address that Libya would be an Islamic state and that *sharia* law would be a fundamental source of legislation.

4. Togarmah.

Who in the world is Togarmah?" In Ezekiel 38:6 we are told,

“... the house of Togarmah of the north quarters, and all his bands:
and many people with thee.” (Ezekiel 38:6)

“North” is north of Jerusalem. This country makes up almost all of Asia Minor. One may also check your maps of the First Century showing the site of Turkey, which was called in ancient times “Armenia.” She is none other than Turkey today.

In 1975, Turkey closed some 20 of America’s Air Force bases and expelled our military out of its country. She also controlled the Dardanelles; a waterway between the Dead Sea and the Mediterranean. Prior to 1975 she had already opened this passageway to the Russian Navy, allowing their ships to access the Mediterranean Sea. America and Russia both have ships there now.

Note: The 4th Infantry Division was scheduled to take part in the Iraq War in the spring of 2003 by spearheading an advance from Turkey into northern Iraq. The Turkish Parliament, at the last minute, refused to grant permission for the operation and the division's equipment remained offshore on ships, arriving through Kuwait after the invasion had started. However, the 4th I.D., commanded by Col. James Hickey, captured the "Ace of Spades" Saddam Hussein.

Yes, Turkey is allied with Russia just as God had said 2600 years ago. She will not invade Israel with Russia until after the Rapture; yet here she is, ready to go! The signs of the times are everywhere. For the Christian, it won’t be long. “Look up, for your redemption draweth nigh.”

5. Gomer.

Gomer is Germany of today. Should one trace the travels of Gomer’s descendants (A grandson of Noah, Genesis 10:1,2), through the millennia, they would run into Germany. To this most Bible Scholars agree.

“Thus Gomer's children and his children's children went far up into Europe, where, despite their separation both in time and distance, the name of their ancient forebear was preserved among them. Indeed, there is even the possibility that the very name of Germany preserves for us Gomer in slightly inverted form.” (Arthur C. Custance, noted ethnologist and linguist, *Roots Of The Nations, Chapter Two, The Family of Japeth*).

Germany was divided after World War II in 1945, by the invasion of Russia, and East Germany was Communist for many years. However, since President Ronald Reagan made the famous statement, “Mr. Gorbachov, tear down this wall!” on June 12, 1987, the Brandenburg Gate is open and Germany is now one nation. However, God says that Germany (Gomer) will send their soldiers to fight alongside Russia against Israel.

C. Russia Will Invade Israel on Horseback

Persia – Ethiopia – Libya – Turkey – Germany

Horses...imagine! Ezekiel 38:4,15; 39:20 – Let’s go back to the context.

“...thou, and many people with thee, all of them riding upon horses...” (Ezekiel 38:15)

1. The Soviet government has been—for many, many, years—buying horses all over the world. In 1934 it was reported that Russia owned 70% of the horseflesh in the world. – At the close of a public meeting a man stated the following.

“I know that your statement about Russia’s horses is correct. I am a buyer of horses. At every important horse sale in this country the representatives of the Soviet government are present. They buy light and fast horses, which, they declare, are to pull the plows of Russia; but they are buying the wrong kind of horse for agricultural purposes.”

2. In 1968, a Jewish Christian evangelist was speaking on prophecy concerning Russia and its horses as stated in Ezekiel 38:4,14,15 & 39:20. He was interrupted by a man who wished to make a comment. Here was his comment:

“I was a missionary in South America. While studying at a hotel in Uruguay, I made the acquaintance of fellow guest who was a Russian. When I asked what he was doing in South America, he replied that he was buying horses for the Soviet government. I asked, ‘What kind of horses are you buying—heavy horses for agricultural work?’ ‘No,’ was the frank reply, ‘I am buying light and fast horses for military purposes.’”

3. We look in retrospect to the German/Russian-Polish campaign in September of 1939 when German Panzer and Russian tanks bogged down on the mud flats of Poland, while the Polish Cavalry trotted over the mud to victory. They charged the tanks, freeing trapped Polish forces, forcing a German unit off a hill, and broke through when Russians surrounded a town. In all, they fought 16 battles. One can easily see the superiority of horses over Army tanks in light of Ezekiel 38:22. (Of course, this was the beginning of World War II and the rest, as they say, is History.)

The Value of Horses and Mules In Modern Warfare



Left: Northern Alliance charges tanks in Afghanistan.



Right: Special Forces in Afghanistan.

NBC News

Picture (below) is from the article on "Horse Cavalry" in Afghanistan from AUSA's Army magazine: November 2002. "The first few months of the Afghanistan campaign, U.S. Army Special Forces Soldiers thundered across the plains on horseback. U.S. Army Special Forces Soldier use horses and mules in Afghanistan today and have a Field manual on the subject, FM 31-27, Pack Animals In Support of Army Special Ops. Forces, 15 FEB 2000."

"As events in Afghanistan have recently shown, there is a place in modern warfare for animal transport, for goods and personnel. Even years earlier, when we were providing the then new Stinger MANPADS to the Afghans in their struggle with the Russians, we also provided Missouri Mules, complete with pack-saddles. The experiment was a success and the mules got the stingers to places where they were needed.



Horses, mules, and donkeys have played a much larger role in Guerilla warfare than has been appreciated in the literature on the subject. More than one "A" team in Vietnam used Monta-

gnard ponies for transport. The Rhodesians reactivated the Selous Scouts in their war, before being done in by politics and the Portuguese had uniform success with their anti-guerrilla light dragons. The concept is not to play cavalry and charge, it is to use four hooves to outrun two feet."

4. Ezekiel 38:22.

"And I will plead against him with pestilence and with blood; and I will rain upon him, and upon his bands, and upon the many people that are with him, an overflowing rain, and great hailstones, fire, and brimstone."

- a. Hebrew "matar" – general rain.
- b. Hebrew "geshem" – from a root word "shataph" – shaw-taf – "to rain violently" overflowing to gush – drown – overflow – wash away.
- c. The first appearance of "rain" in this verse is a general rain. The second word "rain" describes that the general rain will turn into a violent rain, drowning everything.

Rivers, streams, ponds, & lakes will be over-flowing. God knows what He is going to do with the weather; so that armored tanks would be bogged down due to the mud caused by the rain.

One must remember, in looking at the terrain surrounding Jerusalem, there are deep valleys, steep hills & high mountains to cross to reach Jerusalem. (Please see the information on the terrain around Jerusalem in "D. Facts About the Topography of Jerusalem & Israel" on Page 203.) Tanks & armored vehicles would be out of the question. They could also be picked up on radar. The only way to attack, for Russia & her allies, is by horseback. God designed it this way and foretold it in his word, the Bible, 2600 years ago in Ezekiel 38:4.

"And I will turn thee back, and put hooks into thy jaws, and I will bring thee forth, and ALL THINE ARMY, HORSES AND HORSEMEN, all of them clothed with all sorts of armour, even a great company with bucklers and shields, all of them handling swords:"

Then, again in Verse 15, He re-emphasizes that this army will come on horses. I think God knows the difference between horses and horsepower!

"And thou shalt come from thy place out of the north parts, thou, and many people with thee, ALL OF THEM RIDING UPON HORSES, a great company, and a mighty army:"

5. Now may I call your attention back to Verse 9.

Thou shalt ASCEND and come like a storm, thou shalt be like a cloud to cover the land, thou, and all thy bands, and many people with thee. (Ezekiel 38:9)

The Hebrew for “**ascend**” is “alah” – aw-law and has various meanings, fig. & lit. For example: (bring up – get up – ascend up – come up – lift yourself up – mount up, rise up, shoot forth, spring up.)

Many commentaries state that “ascend” is referring to helicopters and aircraft. I have to disagree as this proposal would be contradictory to the context of Scripture surrounding the text of Ezekiel, Chapters 38,39. It also creates a great contradiction of the Scriptures themselves. The so-called contradiction used by atheists is that if this was referring to aircraft, then it would be impossible for it to take 7 years, as described in Ezekiel 39:9, to burn aircraft made of metal. “...and they (Israel) shall burn them with fire seven years.

D. Facts About the Topography of Jerusalem & Israel

Jerusalem is a city of mountains and valleys, which has greatly contributed to its history. There are four mountains that lie in a straight line, going from east to west. Starting in the east, they are the Mount of Olives, the Temple Mount also known as Mount Moriah, Mount Zion, also called the Upper Hill.

Between these four mountains are three valleys. Between the Mount of Olives and the Temple Mount is the Kidron Valley. Between the Temple Mount and the Upper Hill is the Tyropean Valley. Between the Upper Hill and the New City is the Valley of Hinnom. To the north of the Mount of Olives is Mount Scopus. The Mount of Olives has two peaks. The higher one is to the north and is the site of several Christian churches. This peak is directly across from the Dome of the Rock on the Temple Mount. The lower peak of the Mount of Olive is to the south. On its western slope is the largest and most ancient Jewish cemetery.

West of the Mount of Olives is the Temple Mount. The southern slope is called the Ophel. West of the Temple Mount is the Upper Hill. The southern portion of the Upper Hill is called Mount Zion.



19. Topographical Map of Israel

Please note the Lebanon Mountains to the North and the ridge of mountains that runs all the way to the bottom on the Dead Sea. (Map from WORDSearch 7 Bible Maps)

E. Russia's plans for invading Israel.

As we continue our study in Ezekiel, Chapters 38,39, we previously have shown that Russia and her allies will attack Israel on horseback. We would like to again emphasize the use of horses.

The following is from the late Dr. M.R. DeHaan, a great scholar of Bible Prophecy. In his writing concerning Ezekiel 38 and horses used by Russia to invade Israel, which was written in 1951, he states:

“And now, right while we are reading in Ezekiel 38 about Russia's horses, my daily newspaper comes out with the information that one of our military leaders has been under severe criticism in Korea for allowing 5,000 mounted Communist horsemen to cross the Yalu River against our forces, without even being detected by our observers and reconnaissance planes. Very interesting indeed (even though it is tragic) in the light of God's Word.”

Of all the nations in the world, one may wonder why God has chosen Russia to be the leader of five other nations, in an attempt to destroy God's chosen people, the nation of Israel. Notice in Ezekiel 38:10.

“Thus saith the Lord GOD; It shall also come to pass, that at the same time shall things come into thy mind, and thou shalt think an evil thought:”

Evil thoughts come from the Evil One; Satan and his demons. Russia in the past, and has continued to the present; and will continue to deny, defile, and make a mockery out of the God of Creation. Little does she know of the grace of God that has allowed her to continue in her rebellion. Mocking God is, in essence, mocking yourself. Just as a boomerang returns to the thrower; so does the sower reap what he sows. Galatians 6:7 confirms this.

“Be not deceived; God is not mocked: for whatsoever a man soweth, that shall he also reap.”

Where did it all begin? With the men in power, the leaders of Russia, Iran, Libya, Ethiopia, Turkey and Germany, haters of God, following the influence of Satan and his demons. In Acts 5:1-5, Ananias and his wife, Sapphira, followed the influence of Satan and lied to God, which cost them their lives.

“But a certain man named Ananias, with Sapphira his wife, sold a possession, (V.1)

And kept back part of the price, his wife also being privy to it, and brought a certain part, and laid it at the apostles' feet. (V.2)

But Peter said, Ananias, why hath Satan filled thine heart to lie to the Holy Ghost, and to keep back part of the price of the land? (V.3)

Whiles it remained, was it not thine own? and after it was sold, was it not in thine own power? why hast thou conceived this thing in thine heart? thou hast not lied unto men, but unto God. (V.4)

And Ananias hearing these words fell down, and gave up the ghost: and great fear came on all them that heard these things." (Acts 5:1-5)

In Verses 9,10, Sapphira was struck dead for lying to God, the same as her husband.

These 6 nations have blasphemed God and followed the leading of Satan, the hater of God; their end being physical death and eternal death in the Lake of Fire. Russia's goal has almost always been to abolish all religion from her nation.

Robert F. Kennedy, Counsel for Senate Investigations Committee, reported, following his visit to Russia in 1955, (*U.S. News & World Report* for October 21, 1955).

"In Leningrad they have a museum which is devoted completely to ridiculing God and people's religious beliefs. For instance, as you enter, they have God sitting on top of the Cross, wearing a top hat, smoking a cigar and portrayed as a capitalist; while a working man is bent over carrying the Cross and Him."

The leadership minds of the Russians are so diabolical and sick (mentally) with the fever of anti-God-ism that it even has implications beyond the scientific and military space achievements.

Time magazine quotes from a Russian magazine, KROKODIL, the last verse of a poem which indicates that creation, from the Communistic point of view is under new management.

"And here we have our Sputnik
No secrets; the newborn planet
Is modest about its size,
But this symbol of intellect and light
Is made by us, and not by the God
Of the Old Testament."

Note: If you are a young person reading this, you might wonder, "What is a Sputnik?" The surprise launch of *Sputnik 1*, coupled with the spectacular failure of the United States of America's first two Project Vanguard launch attempts, shocked the United States, which responded with a number of early satellite launches. (Wikipedia). This is probably the first, and last, time the Russians beat us into space.

F. Russia's Strategy for Invading Israel In the Latter Days

1. Ezekiel 38:16 & 38:10-12 :

The last seven words of Ezekiel 38:10 are:

“...and thou (Russia) shalt think an evil thought...”

Verses 11,12 of Ezekiel 38 describes their aspirations, which are nothing but evil.

“And thou shalt say, I will go up to the LAND OF UNWALLED VILLAGES; I will go to them that are AT REST, that dwell SAFELY, all of them dwelling without walls, and having neither bars nor gates, (11)

To take a spoil, and to take a prey; to turn thine hand upon the desolate places that are now inhabited, and upon the people that are gathered out of the nations, which have gotten cattle and goods, that dwell in the midst of the land.”(12)

In Verse 11, when Ezekiel penned this prophecy in about 600 B.C., the towns, villages, and cities were most often surrounded by walls. These were essential for their protection and safety. Clear back in 1968, a Jewish man gave testimony that not one town in that land had walls around it. The same is true today, as you would have to hunt far and wide to find a city, village, or town with defensive walls surrounding it. (We are, of course, aware of the barrier fences installed by the Gaza Strip and the West Bank; but, these are barriers for Israel’s borders, like we have between our country and Mexico.) The towns, villages, and cities of Israel are not surrounded with defensive walls.

America has supplied Israel with all kinds of offensive military weapons. She is equipped with some of the most sophisticated aircraft, tanks, bombs, missiles and etc. to protect her people and her **“land of unwalled villages.”** Almost immediately after the Rapture, the Antichrist makes a covenant with Israel, promising her protection and perpetual peace. This false Christ will no doubt convince the people, including Israel, that those who disappeared at the Rapture were the real villains who had to be eliminated so that the “New World Order of Peace” could prevail. Israel will buy the lie, submit her weaponry to the Antichrist, leader of the newly formed “World Federation of Nations.”

In Verse 11, and Verses 8, and 14, the word **“rest”** Israel has, shows it is the result of her complete trust in the lie from the false messiah, i.e., the Antichrist. The word “safely” comes from the Hebrew “BETACH” and is frequently used to signify “confidence and boldness and being without any care.” This is what Russia sees after the Rapture as it views the nation of Israel. God foretold it about 2,600 years ago.

The Antichrist will attempt to convince all nations that world peace can only be obtained when all weapons of warfare are destroyed. Israel accepts this lie and Russia sees her with no army, no weapons of warfare and an easy prey. Russia and her five allies reject the Antichrist’s peace proposal and break from the world peace agenda formatted by the Antichrist.

G. The Consequences of Russia's Plan.

GOD will be the destroyer of Russia and her armies, NOT the Antichrist! In Ezekiel 38:22, God makes it perfectly clear that He will render the judgment and destruction of Russia and her armies, not the Antichrist.

“And I will plead against him with pestilence and with blood; and I will rain upon him, and upon his bands, and upon the many people that are with him, an overflowing rain, and great hailstones, fire, and brimstone.”

The word “PLEAD” is a very interesting word. We think of this word in the English as God is pleading, begging, or trying to convince Russia not to invade Israel; but, this is not the meaning of the Hebrew word. The Hebrew translated “plead” is “shaphat” and means “to pass sentence and punish). In other words, the sentence is already passed and the punishment is now going to be rendered.”

1. **“Pestilence”** – The Hebrew is “deber” and means – some kind of physical plague of sickness. God has used physical diseases many times for those who rebel against Him. He warned Israel before they went into the Promised Land, that if they rebelled against Him, He would bring physical infirmities upon them which could not be healed.

“The LORD shall smite thee in the knees, and in the legs, with a sore botch THAT CANNOT BE HEALED, from the sole of thy foot unto the top of thy head.” (Deuteronomy 28:35)

Notice also in Verse 27.

“The LORD will smite thee with the botch of Egypt, and with the emerods, and with the scab, and with the itch, whereof thou canst NOT BE HEALED.” (Deuteronomy 28:27)

He is doing the same against Russia and her armies.

2. **“I will rain.”** – Hebrew is “matar,” a general rain.

3. **“Overflowing rain.”** – The Hebrew for this “rain” is “geshem” from a root word meaning “to rain violently, gush down, wash away”; and thus described as an overflowing rain.

4. **“Great hailstones.”** – These hailstones are the size of a “talent” in the Greek, which is about 120 lbs. each. The Hebrew for great hailstones is equivalent to those described in Revelation 16:21.

“And there fell upon men a great hail out of heaven, every stone about the weight of a talent: and men blasphemed God because of the plague of the hail; for the plague thereof was exceeding great.”

God has used hailstones in His wrath of judgment many times. For example see Joshua 10:11; Exodus 9:22-26.

5. **“Fire”** – (Leviticus 10:1,2) destroyed Nadab and Abihu, sons of Aaron; (Numbers 11:1) consumed complainers; (Numbers 16:2,3) consumed 250 princes of Israel.

6. **“Fire and brimstone”** – Genesis 19:24,25 – Sodom and Gomorrah. Brimstone is the Hebrew “gophriyth” – describing it best as a resin, as from a cypress and sulphur, as equally flammable. This is the wrath of God and the means He uses to destroy Russia and her armies.

When this judgment is rendered of God, it ignites the men of these armies to actually kill each other. Notice in Verse 21.

“And I will call for a sword against him throughout all my mountains, saith the Lord GOD: every man's sword shall be against his brother.”

Let us stop for a moment and analyze the situation. Picture hundreds of thousands and millions of horsemen from six armies, headed by Russia, and enemies of God; headed for the destruction of Israel. Mountains are everywhere surrounding Israel which these armies are trying to cross. Then all of a sudden it begins to rain which escalates into a torrential downpour. Then many of the men become violently ill and fall by the wayside. Then hailstones begin to fall from the skies, each about 120 pounds, killing many of the men and their horses. Then fire, from seemingly out of nowhere, kills thousands more instantly.

The armies are in disarray as they realize that Russia, their leader, has led them into the wrath of Almighty God. They realize that only something supernatural could cause something like this to happen. Those left, now facing death, go berserk, and began killing each other until no one is left alive, thus fulfilling Verse 21, just as God has said some 2600 years ago.

Hebrews 10:31 proved the foregoing to be so true.

“It is a fearful thing to fall into the hands of the living God.”

God will get His glory, whether an individual or a nation gives it to the Lord; or whether He has to take it Himself. In Ezekiel 38:23, the Lord states specifically that he is in control of the nations of this world and why!

“Thus will I magnify myself, and sanctify myself; and I will be known in the eyes of many nations, and they shall know that I am the LORD.”

H. Russia And Her Allies will be Annihilated! (Ezekiel 39).

At this point in our study of prophecy, the armies of Russia, Iran, Turkey, Germany, Ethiopia and Libya are totally destroyed. One must remember that these armies are destroyed, NOT the people that are left in these countries. With their armies completely annihilated, they will be completely devastated and in total disarray. Remember, the Christians that were in these countries are all gone. They were taken in the Rapture. Now, let us examine Ezekiel 39:2

"And I will turn thee back, and LEAVE BUT THE SIXTH PART OF THEE, and will cause thee to come up from the north parts, and will bring thee upon the mountains of Israel:" (Ezekiel 39:2)

The words "**leave but a sixth part**" is not the proper translation. In the Hebrew, the words "**leave**" and "**sixth**" are from the same Hebrew word, "shawshaw," a prime root meaning (to annihilate). There is another Hebrew word meaning "a sixth." That word is "shashah," which is spelled similarly to the other "shawshaw," and both pronounced the same.

The words BUT, THE and PART in the sentence in Verse 2 do not appear in the Majority Text. When you look these words up in your Strong's Concordance, you will not find any numbers that refer you to the Hebrew. In the preface of Strong's Concordance, it tells you why.

"If no number appears, the word may have been supplied by the translators to clarify the meaning, even though no specific Hebrew or Greek word was used to express it."

Therefore, the proper translation of the Hebrew word "shawshaw" is "annihilation." My dictionary defines annihilation as such, "to reduce to nothing – cause to cease to exist – to destroy completely and to exterminate."

Now, in understanding the correct Hebrew, a literal translation would read as follows:

"I will turn thee back and annihilate (shawshaw) and completely exterminate (shawshaw) thee...."

There will not be one left out of the Russian army or her allies. In Verse 4 we are told,

"Thou shalt fall upon the mountains of Israel, thou, and ALL thy bands, and the people that is with thee: I will give thee unto the ravenous birds of every sort, and to the beasts of the field to be devoured." (Ezekiel 39:4)

Verse 6 is very interesting, as God does not overlook those villages and towns that are sympathetic with those that are going to attack Israel. He will destroy them with fire.

"And I will send a fire on Magog, and among them that dwell carelessly in the isles: and they shall know that I am the LORD." (Ezekiel 39:6)

The word "**carelessly**" is the Hebrew "betach" and means "a place of refuge and safety." In other words, they are carefree and dwelling safely without a worry in the world. These are maritime villages and towns bordering on, or situated near the sea in respect to navigation. So why would God mention these?

Remember, Germany is one of the armies allied with Russia's invasion of Israel. Check your map and see how far north-west of Jerusalem that Germany is located. To come overland with their army on horseback would be almost impossible. Their army of thousands would

have to ride through Austria, Hungary, Romania, Bulgaria, then Turkey and Syria, to reach Israel.

Their other option that would be much easier is, they could bring their horsemen and horses on a large fleet of ships sailing from the Northeast corner of Italy, which borders the Adriatic Sea. This runs into the Mediterranean Sea, from which they could sail right into the sea port of Joppa, or any other port along the western shore of Israel. Joppa is the modern city of Haifa. It has been, for centuries, the seaport for Jerusalem. This by far would be the easiest and the most logical way to invade Israel. Whoever of these maritime towns and cities that would aid the German army, they would be destroyed by fire, as stated in Verse 6.

Now we come to the burning of the weapons of the army for seven years, Ezekiel 39:9,10.

“And they that dwell in the cities of Israel shall go forth, and shall set on fire and burn the weapons, both the shields and the bucklers, the bows and the arrows, and the handstaves, and the spears, and they shall burn them with fire SEVEN YEARS: (V.9)

“So that they shall take no wood out of the field, neither cut down any out of the forests; for they shall burn the weapons with fire: and they shall spoil those that spoiled them, and rob those that robbed them, saith the Lord GOD.” (V.10)

Notice that God knows the difference between arrows and armored tanks. Again He emphasizes that the weapons of these 6 armies are made of wood. You can make a sword out of oak, or any hardwood, sharpened on the edges, that would kill a person just as easily as a metal one. Seven years they will be burning them. There will be more than enough wood for heating in the winter, and also for cooking, if need be. The cities have electricity; but not so with many who live miles away in the hills, mountains and back country of Israel. No more sawing down trees or cutting firewood for heat or cooking.

Note on taking Scripture literally. Before television, computers and web cams, people could not understand how all nations could *see* the dead bodies of the Two Witnesses lie in the streets of Jerusalem. (Revelation 11:9). In the days of radio, the people thought that the Bible must have meant radio (they would hear, not see) or pictures in the newspaper. Now we know that it will be instant news, flashed across television and computer screens worldwide concerning Russia and her allies.

Notice in the last sentence of Verse 10, the words “spoil” and “spoiled” are from the same Hebrew words “shalal” and means “to strip, to take prey.” The words “rob” and “robbed” are from a single Hebrew word “bazaz” meaning “to gather and utterly take away.” In other words, putting it in simple language it would be such:

“God has killed your enemy, which is now your prey; so take anything of value or of any good use that you want.”

Before we continue in Chapter 39, I want to pause and expose a so-called contradiction set forth by some who attempt to mock at God's Word out of ignorance. The following is their reasoning concerning their so-called contradiction. The Antichrist makes a "peace" covenant with the nation of Israel (Daniel 9:27); but, after 3½ years, breaks that covenant and seeks to destroy every Jew he can. So the Jews will only be able to burn the weapons of Russia and her allies for 3 ½ years; not 7 years, as they will be on the run for their lives the last 3 ½ years, as described in Matthew 24:15-21. "How contradictory the Bible is," say the atheists.

Will you notice on your map of Israel, pictured right, that after Solomon's death, the kingdom was divided. The Northern half was known as Israel and the Southern half was known as Judah.



20. Map of Israel as a Divided Kingdom

The dividing line of the two kingdoms is very important. The dividing line ran from about 10 miles north of the Dead Sea on the west side of the Jordan River. The division then went almost straight west to the Mediterranean Sea. Jerusalem, where the temple was, is located almost straight west from the north end of the Dead Sea.

Jerusalem is very important to the Antichrist, as the Jewish Temple is where he enters and declares to the world that he is God in human flesh. This takes place 3 ½ years after the Rapture.

Notice in 2 Thessalonians 2:4,

"Who opposeth and exalteth himself above all that is called God, or that is worshipped; so that he as God sitteth in the temple of God, shewing himself that he is God." (2 Thessalonians 2:4)

Now almost all the Jews living in Judah (Judaea) will be attacked and destroyed, if apprehended; unless they take the mark of the Beast. (Revelation 13:15-18). Matthew 24:15-21 confirms this.

"When ye therefore shall see the abomination of desolation, spoken of by Daniel the prophet, stand in the holy place, (whoso readeth, let him understand:) (15)

"Then let them which be in JUDAEA flee into the mountains: (16) Let him which is on the housetop not come down to take any thing out of his house: (17)

Neither let him which is in the field return back to take his clothes. (18)

And woe unto them that are with child, and to them that give suck in those days! (19)

But pray ye that your flight be not in the winter, neither on the sabbath day: (20)

For then shall be great tribulation, such as was not since the beginning of the world to this time, no, nor ever shall be." (Matthew 24:14-21)

Notice, and underline this in your Bible, the word JUDAEA.

"Then let them which be in JUDAEA flee into the mountains:" (Matthew 24:16)

Let us go back to Ezekiel 39:9, and see the distinction that God makes between Judaea and Israel.

"And they that dwell in the cities of Israel shall go forth, and shall set on fire and burn the weapons,..." (Ezekiel 39:9)

One may ask, Why would the Antichrist not attack and destroy the Northern Kingdom of Israel? Why would this world leader want to destroy Northern Israel at this time when he can use them to do his dirty work? That is, burying millions of dead horses and corpses, before they decompose and spread disease throughout the country.

Those in the North (Israel) no doubt have heard of the onslaught against their brethren in Judaea. Fear spreads north into Israel as the Antichrist claims to be God in human flesh (2 Thessalonians 2:4), in other words, Jesus Christ. Out of fear and deception, they will accept the false Messiah and receive his mark, 666. They now belong to the Antichrist, who as the "peace maker" will allow them to dwell in peace while cleaning the land.

"And with all deceivableness of unrighteousness in them that perish; because they received not the love of the truth, that they might be saved. (10)

And for this cause God shall send them strong delusion, that they should believe a lie: ("a lie" should be "THE LIE," as there is no Greek for the article "a.") (11)

That they all might be damned who believed not the truth, but had pleasure in unrighteousness." (2 Thessalonians 2:10-12)

Referring back to the so-called contradiction by atheists and others, we find that there is no

contradiction in God's Word. The contradiction is in the person who, through ignorance, thinks they are wiser than God.

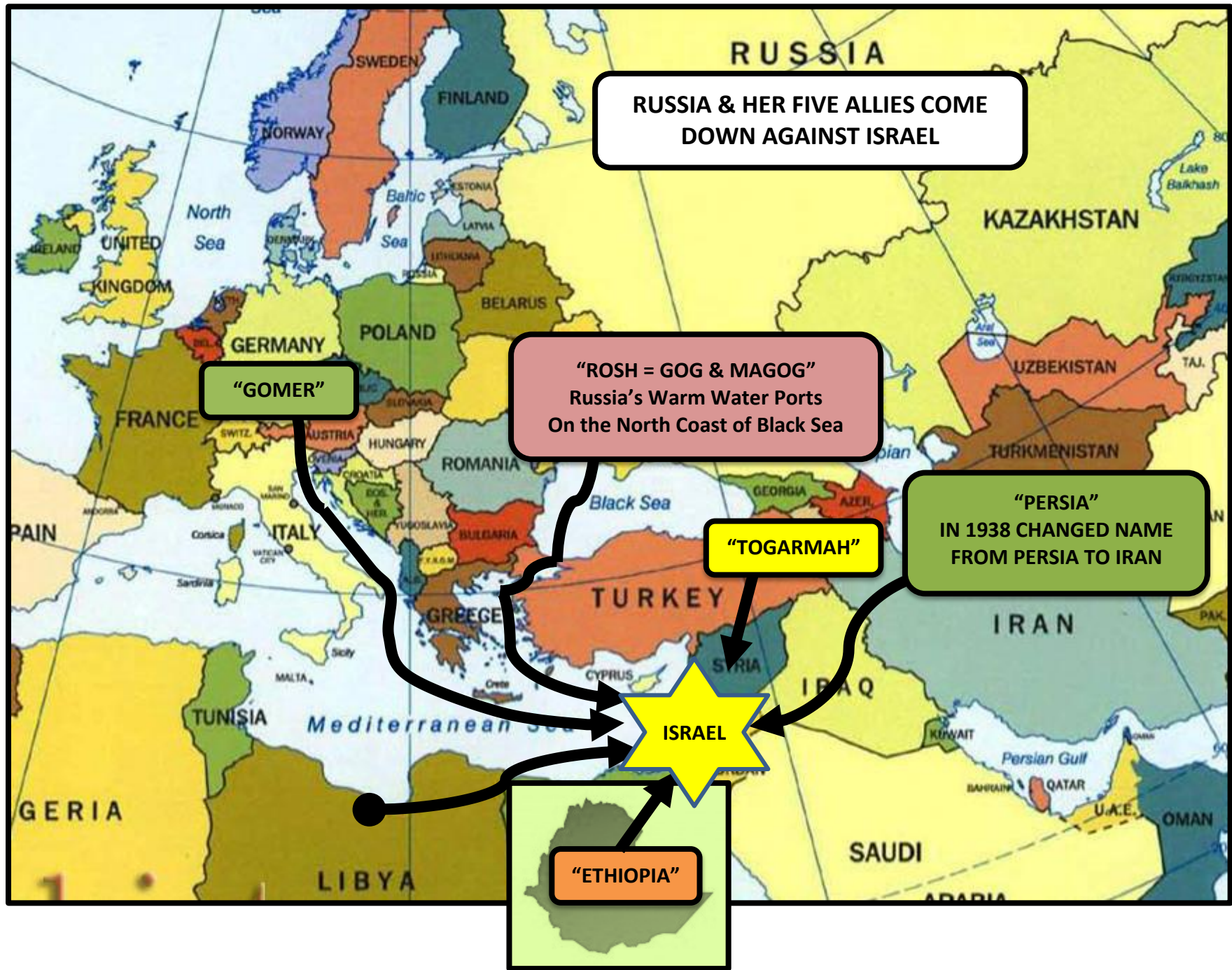
"But the natural man receiveth not the things of the Spirit of God: for they are foolishness unto him: neither can he know them, because they are spiritually discerned." (1 Corinthians 2:14)

Now, what are we to do until the Rapture?

"For the grace of God that bringeth salvation hath appeared to all men, (11)

Teaching us that, denying ungodliness and worldly lusts, we should live soberly, righteously, and godly, in this present world; (12)

Looking for that blessed hope, and the glorious appearing of the great God and our Saviour Jesus Christ; (13) Who gave himself for us, that he might redeem us from all iniquity, and purify unto himself a peculiar people, zealous of good works." (Titus 2:11-14)



RUSSIA & HER FIVE ALLIES COME DOWN AGAINST ISRAEL

"GOMER"

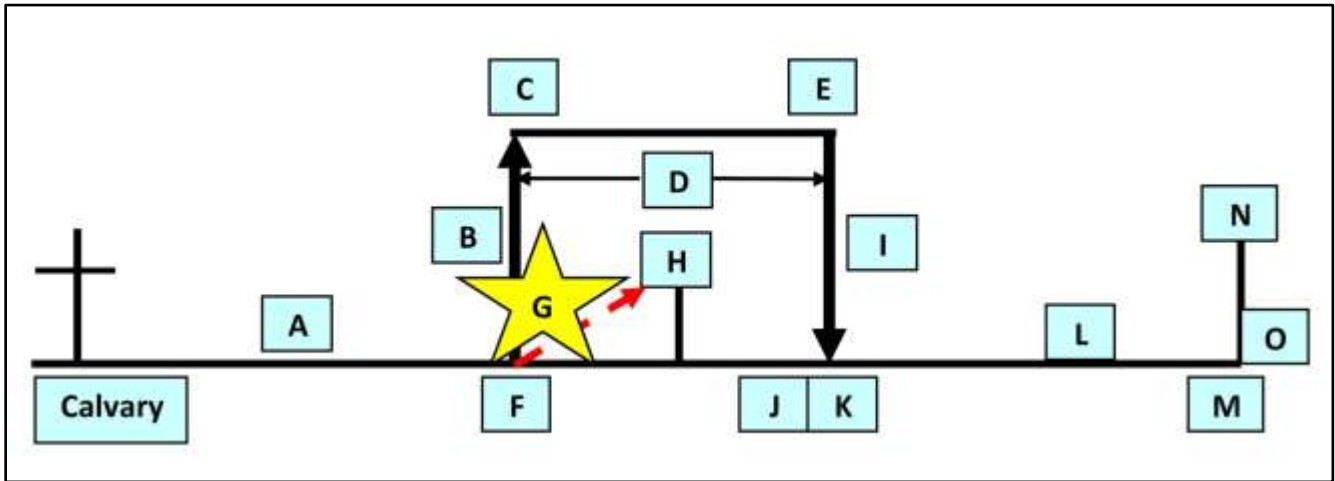
"ROSH = GOG & MAGOG"
Russia's Warm Water Ports
On the North Coast of Black Sea

"TOGARMAH"

"PERSIA"
IN 1938 CHANGED NAME
FROM PERSIA TO IRAN

"ETHIOPIA"

ISRAEL



THE ANTICHRIST RISES TO POWER: STAR "G"

I. THE ANTICHRIST IS ONLY A MAN; BUT, PERSONALLY INDWELT BY SATAN, HIMSELF.

A. How He Operates (2 Corinthians 11:4).

Before we go into the particularities of the Antichrist's activities during the Tribulation Period; it is important to know just who we are talking about. Antichrist and Satan are not the same person, NOW! But WHEN the Tribulation Period begins, the Antichrist will be a man Satan indwells. At that time, Satan becomes the Antichrist.

The one now called "Satan" (Adversary) is the "Lucifer" spoken of in Isaiah 14:12-18 and the "Anointed Cherub and the "King of Tyrus" in Ezekiel 28:12-19. We know him as the Devil.

Many picture him as a comical red figure, carrying a pitchfork, with the body of a man, horns like a goat, and a long tail. This is a totally inaccurate portrayal of Satan and just what he would like us to believe.



22. Satan In Disguise.



His favorite role is to masquerade as an "Angel of Light." (2 Corinthians 11:14)

"And no marvel; for Satan himself is transformed into an ANGEL OF LIGHT."

Or, "a minister of righteousness." (2 Corinthians 11:15)

"Therefore *it is* no great thing if his ministers also be transformed as the MINISTERS OF RIGHTEOUSNESS; whose end shall be according to their works. " (2 Corinthians 11:15)

He is a created "Son of God, and the most powerful angel in God's creation; however, **"greater is he than he that is in you, than he that is in the world."** (1 John 4:4)

23. "...A Minister of Righteousness..."

Satan's powers are limited by God. (Job, Chapters 1 and 2). None the less, he is so powerful that in Jude 9, when Satan tried to retrieve the body of Moses so the Jews would give it the worship due to God, the Archangel Michael dared not bring **"a railing accusation against him."**

"Yet Michael the archangel, when contending with the devil he disputed about the body of Moses, durst not bring against him a railing accusation, but said, The Lord rebuke thee." (Jude 9)

The Devil indwells the Antichrist and he will be the source of all the Antichrist's evil intelligence. He will take him over completely as shown by 2 Thessalonians 2:9.

"Even him, whose coming is after the WORKING of Satan with all power and signs and lying wonders,"

When the Antichrist appears out of the First Seal at the very beginning of the Tribulation Period as the Rider of the White Horse, he is indwelt by Satan. From that point, until the Antichrist (also known as the "Beast out of the Sea, Revelation 13:1), is cast bodily into the Lake of Fire (Revelation 19:20), Satan and the Antichrist are one.

B. The Antichrist, In His Flesh, Is Only a Man.

1. Revelation 13:18.

God reinforces the fact that the Antichrist is only a man in Revelation 13:18,

"Here is wisdom. Let him that hath understanding count the number of the beast: for it is the number of a man; and his number *is* Six hundred threescore *and* six."

God is saying three times, "He is a man, he is a man, he is only a man!" Numbers in the Bible most always have significance. "Six" is the number of man. Man was created on the Sixth Day of the Re-Creation. We find in 1 Chronicles 20:5-6, 8, that the descendants of Goliath had six toes and six fingers on their hands, showing imperfection.

"And there was war again with the Philistines; and Elhanan the son of Jair slew Lahmi the brother of Goliath the Gittite, whose spear staff was like a weaver's beam. (V.5)

And yet again there was war at Gath, where was a man of great stature, whose fingers and toes were four and twenty, six on each hand, and six on each foot: and he also was the son of the giant. (V.6)

These were born unto the giant in Gath; and they fell by the hand of David, and by the hand of his servants." (V.8)

2. "666" Only Adds Up to "He Is a Man!"

Many have tried to assign numbers to the names of various individuals, such as a pope, a president, a leader of a country; or, some prominent individual, in their attempt to identify the Antichrist. God is the only One who knows the identity of the man who will become the Antichrist. One has to remember in Job 1:8a, that God, knowing what Satan was thinking, was the one who suggested Job to him.

"And the Lord said unto Satan, Hast thou considered my servant Job,...?"

3. In His Flesh, He will be a Jewish Descendant of Abraham.

a. We know the Nation of Israel would make a treaty with ANYONE, they thought could guarantee them peace, even this Jewish Antichrist. We have to take our Savior's word for the Antichrist's nationality, as written by the inspired pen of the Beloved Apostle in John 5:43,

"I am come in my Father's name, and ye receive me not: if ANOTHER (allos) shall come in his own name, him ye will receive."

Please notice the word "another" in the above verse. It is the Greek word "allos" and means "another of the same kind." It is the same Greek word translated "another" in John 14:16 when the promise of the Holy Spirit's coming was given,

"And I will pray the Father, and he shall give you another (Greek "allos) Comforter, that he may abide with you for ever;"

God, the Holy Spirit is part of the Trinity. The Trinity is made up of God, the Father; God, the Son; and God, the Holy Spirit.

b. The Prophet Daniel gives added illumination as to the human ancestry of the Antichrist in Daniel 11:37 when he tells us he will not honor the "god of his fathers." That would be the

God of Abraham, Isaac, and Jacob and would make him acceptable to the Jewish nation as a “Messiah.” That is who he is imitating.

c. Ezekiel 21:25-27: After he is indwelt by Satan, and becomes the Antichrist, he is called the “Profane Prince of Israel.”

“And thou, PROFANE WICKED prince of Israel, whose day is come, when iniquity *shall have* an end, (V.25)

Thus saith the Lord GOD; Remove the diadem, AND TAKE OFF THE CROWN; this *shall not be* the same: exalt *him that is low*, and abase *him that is high*. (V.26)

I will overturn, overturn, overturn, it: and it shall be no *more*, UNTIL HE COME WHOSE RIGHT IT IS (CHRIST); AND I WILL GIVE IT *HIM*.” (V.27)

- (1) **Verse 25.** “Profane” is the Hebrew word, “halal,” meaning “to pollute, defile, profane, begin.” This is a perfect description of the one who goes into the Jewish Temple, desecrates it, sets up a throne, and declares himself to be God. (2 Thessalonians 2:4).
- (2). **Verse 25.** “Wicked,” is the Hebrew word, “rasha,” and means “so guilty he deserves death.” In this case, spiritual death in the Lake of Fire is his future. (Revelation 19:20)
- (3). **Verse 26.** The “crown,” does not really belong to him, as the Lord God declares in Verse 26,

“Thus saith the Lord GOD; Remove the diadem, and TAKE OFF THE CROWN:...”

- (4). **2 Thessalonians 2:4.** The “Profane Wicked Prince” is actually the Antichrist, indwelt by Satan.

“Who opposeth and exalteth himself above all that is called God, or that is worshipped; so that he as God sitteth in the temple of God, shewing himself that he is God..”

- (5). **Verse 27** reveals that the “crown” is going to be given to the One who has the right to wear it, King Jesus, when he comes to set up His Kingdom.
- (6). **When?** Verse 25 gives the answer “...**When iniquity shall have an end.**” The Beast and the False Prophet go bodily into the Lake of Fire at the end of the Tribulation Period! We find the end of his career in Revelation 19:20.

“And the beast (Antichrist) was taken, and with him the false prophet that wrought miracles before him, with which he deceived them that had received the mark of the beast, and them that

worshipped his image. These both were cast alive into a lake of fire burning with brimstone."

(7). God simply casts Satan out of the Antichrist like any other demon is removed, and chains him in the Bottomless Pit for a 1,000 years. (Revelation 20:1-3)

4. The Antichrist Is NOT Judas Reincarnated, As Some Have Stated.

This is actually heresy. There is no reincarnation. Man has to make his decisions before he dies; as there are no second chances after death! This the Apostle Paul clearly reveals, speaking by inspiration of the Holy Spirit in Hebrews 9:27,

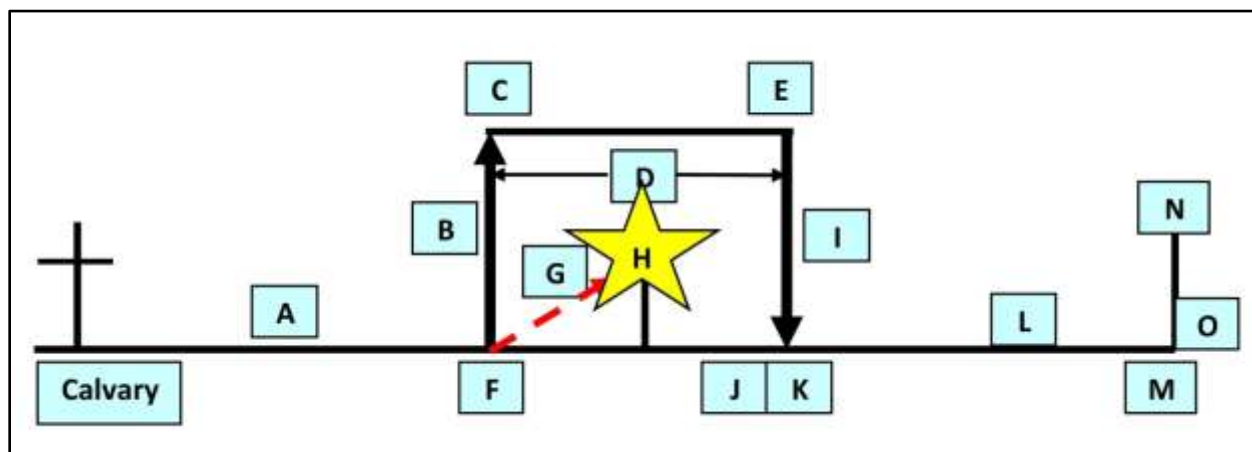
"And as it is appointed unto men once to die, but after this the judgment:"

II. CHARACTERISTICS OF THE ANTICHRIST AND FALSE PROPHET, THE COMING ONE-WORLD RULER

| | |
|--|--|
| <p>1. He will brainwash people. "Wear out is the Hebrew "bela" and means to wear out in a mental sense only.</p> | <p>"And he shall speak great words against the most High, and shall wear out the saints of the most High,... (Daniel 7:25a)</p> |
| <p>2. He will change times and laws.</p> | <p>"...and think to change times and laws: and they shall be given into his hand until a time and times and the dividing of time." (Daniel 7:25b)</p> |
| <p>3. He will make you obey, or be killed. These are killed in the first 3 1/2 years because they are Christians, the "Trouble-Makers." Just like those who disappeared at the Rapture.</p> | <p>"And I saw thrones, and they sat upon them, and judgment was given unto them: and <i>I saw</i> the souls of them that were beheaded for the witness of Jesus, and for the word of God, and which had not worshipped the beast, neither his image, neither had received <i>his</i> mark upon their foreheads, or in their hands; and they lived and reigned with Christ a thousand years." (Revelation 20:4)</p> |
| <p>4. He speaks great things against God, to brainwash the people.</p> | <p>"I considered the horns (men in power), and, behold, there came up among them another little horn, before whom there were three of the first horns plucked up by the roots: and, behold, in this horn (the Antichrist) <i>were</i> eyes like the eyes of man, and a mouth speaking great things."- Daniel 7:8</p> |
| <p>5. He will be a peacemaker.</p> | <p>"And in his estate shall stand up a vile person, to whom they shall not give the honour of the kingdom: but he shall come in peaceably, and obtain the kingdom by flatteries. (Daniel 11:21)</p> |
| <p>6. He will be an intellectual genius,</p> | <p>"And in the latter time of their kingdom, when the transgressors are come to the full, a king of fierce counte-</p> |

| | |
|--|--|
| <p>“understanding dark sentences.”</p> | <p>nance, and UNDERSTANDING DARK SENTENCES, shall stand up. (“Daniel 8:23)</p> |
| <p>7. He will be a miracle worker.</p> | <p><i>Even him, whose coming is after the working of Satan with all POWER AND SIGNS AND LYING WONDERS,”</i> (2 Thessalonians 2:3, 8-9)</p> |
| <p>8. Doing miracles.</p> | <p>“For they are the spirits of devils, <u>WORKING MIRACLES</u>, <i>which</i> go forth unto the kings of the earth and of the whole world, to gather them to the battle of that great day of God Almighty.” (Revelation 16:14)</p> |
| <p>9. He is a murderer and a liar.</p> | <p>“Ye are of <i>your</i> father the devil, and the lusts of your father ye will do. He was a murderer from the beginning, and abode not in the truth, because there is no truth in him. When he speaketh a lie, he speaketh of his own: for he is a liar, and the father of it.” (John 8:44)</p> |
| <p>10. He will be a Jew.</p> | <p>“I (Christ) am come in my Father's name, and ye receive me not: if ANOTHER (allos) shall come in his own name, him ye will receive.” (John 5:43) (“Allos” means “another of the same kind.”)</p> |
| <p>11. He will not be married.</p> | <p>“Neither shall he regard the God of his fathers, NOR THE DESIRE OF WOMEN, nor regard any god: for he shall magnify himself above all.” (Daniel 11:37)</p> |
| <p style="text-align: center;">The Antichrist Will Be a Single, Jewish Man (Daniel 11:37b).</p> <p>He will remain single for the same reason the 144,000 Jewish Witness of Revelation, Chapters 7 and 14 are single. The 144,000 are single as they want to completely devote their time to “follow the Lamb whithersoever he goeth.” (Rev. 14:4) The Antichrist remains single as he knows he has but a short time, and it will be devoted to the modus operandi revealed in 2 Thessalonians 2:4,</p> <p style="text-align: center;">“Who opposeth and exalteth himself above all that is called God, or that is worshipped; so that he as God sitteth in the temple of God, shewing himself that he is God.”</p> | |
| <p>12. He will be part of the Unholy Trinity. The Dragon is Satan; the Beast is the Antichrist; the False Prophet is the Unholy Spirit.</p> | <p>“And I saw three unclean spirits like frogs <i>come</i> out of the mouth of the dragon, and out of the mouth of the beast, and out of the mouth of the false prophet. (V.13) For they are the spirits of devils (Greek – “demons”), <u>WORKING MIRACLES</u>, <i>which</i> go forth unto the kings of the earth and of the whole world, to gather them to the battle of that great day of God Almighty.” (Revelation 16:13-14)</p> |
| <p>13. He will use flatteries and be an oratorical genius.</p> | <p>“...but he shall come in peaceably, and obtain the kingdom by flatteries.” (Daniel 11:21)</p> |

| | |
|---|---|
| <p>14. He will be a military genius.</p> | <p>"And I saw, and behold a white horse: and he that sat on him had a bow; and a crown was given unto him: and he WENT FORTH CONQUERING, AND TO CONQUER." (Revelation 6:2)</p> |
| <p>15.He will be a religious genius.</p> | <p>"Who opposeth and exalteth himself above all that is called God, or that is worshipped; so that HE AS GOD SITTETH IN THE TEMPLE OF GOD, SHEWING HIMSELF THAT HE IS GOD." (2 Thessalonians 2:4)</p> |
| <p>16.He is of fierce countenance.</p> | <p>"And in the latter time of their kingdom, when the transgressors are come to the full, a KING OF FIERCE COUNTENANCE, and understanding dark sentences, shall stand up. (V.23) And his power shall be mighty, but not by his own power: and he shall destroy wonderfully, and shall prosper, and practise, and SHALL DESTROY THE MIGHTY AND THE HOLY PEOPLE." (Daniel 8:23-24)</p> |
| <p>17. He will be a commercial genius.</p> | <p>"And that no man might buy or sell, save he that had the mark, or the name of the beast, or the number of his name." (Revelation 13:17)</p> |



THE ANTICHRIST BREAKS THE COVENANT: STAR "H"

A. The "Abomination of Desolation"

We do know that the Antichrist makes a covenant with Israel very soon after the Rapture. He assures them a perpetual peace to worship in their temple, offering the same sacrifices as they did under the old covenant. After 3 ½ years, the Antichrist breaks his covenant.

"And he shall confirm the covenant with many for one week: and in the midst of the week he shall cause the sacrifice and the oblation to cease, and for the overspreading of abominations he shall make it desolate, even until the consummation, and that determined shall be poured upon the desolate." (Daniel 9:27)

- a. The Abomination. This is when the Antichrist goes into the Jewish temple and declares himself to be God.

"Who opposeth and exalteth himself above all that is called God, or that is worshipped; so that he as God sitteth in the temple of God, shewing himself that he is God." (2 Thessalonians 2:4)

He then seeks to exterminate all Jews as described in Matthew 24:15-22.

"When ye therefore shall see the abomination of desolation, spoken of by Daniel the prophet, stand in the holy place, (whoso readeth, let him understand:) (V.15)

Then let them which be in Judaea flee into the mountains: (V.16)

Let him which is on the housetop not come down to take any thing out of his house: (V.17)

Neither let him which is in the field return back to take his clothes. (V.18)

And woe unto them that are with child, and to them that give suck in those days! (V.19)

But pray ye that your flight be not in the winter, neither on the sabbath day: (V.20)

For then shall be great tribulation, such as was not since the beginning of the world to this time, no, nor ever shall be. (V.21)

And except those days should be shortened, there should no flesh be saved: but for the elect's sake those days shall be shortened." (Matthew 24:15-22)

- b. The Desolation. This is when the Antichrist destroys the buildings of the temple completely as Christ foretold His disciples.

"And Jesus went out, and departed from the temple: and his disciples came to *him* for to shew him the buildings of the temple. (V.1)

And Jesus said unto them, See ye not all these things? verily I say unto you, There shall not be left here one stone upon another, that shall not be thrown down." (Matthew 24:1-2)

The Antichrist has his headquarters in Babylon. He is identified as the first beast in Revelation 13:12, who is the god of the one-world government. Verse 11 is another beast who is the head of the one-world church.

:And I beheld another beast coming up out of the earth; and he had two horns like a lamb, and he spake as a dragon. (V.11) And he exerciseth all the power of the first beast before him, and causeth the earth and them which dwell therein to worship the first beast, whose deadly wound was healed.: (Revelation 13:11-12)

Prior to the Rapture, Satan and his angels (demonic spirits) had access to the heavenly atmosphere above the Earth.

"Wherein in time past ye walked according to the course of this world, according to the prince of the power of the air, the spirit that now worketh in the children of disobedience:" (Ephesians 2:2)

"For we wrestle not against flesh and blood, but against principalities, against powers, against the rulers of the darkness of this world, against spiritual wickedness in high *places*." (Ephesians 6:12)

For example, Daniel had prayed to God for three weeks; but received no answer. The record is in Daniel, Chapter 10. Notice in Verses 11-14.

"And he said unto me, O Daniel, a man greatly beloved, understand the words that I speak unto thee, and stand upright: for unto thee am I

now sent. And when he had spoken this word unto me, I stood trembling. (V.11)

Then said he unto me, Fear not, Daniel: for from the first day that thou didst set thine heart to understand, and to chasten thyself before thy God, thy words were heard, and I am come for thy words. (V.12)

But the prince of the kingdom of Persia withstood me one and twenty days: but, lo, Michael, one of the chief princes, came to help me; and I remained there with the kings of Persia. (V.13)

Now I am come to make thee understand what shall befall thy people in the latter days: for yet the vision *is* for *many* days." ((Daniel 10:11-14)

God had sent an angel to answer Daniel's prayers; but, in going through the atmosphere where Satan and his angels (demons) roamed, he was detained. God had to send Michael, the Archangel, to help get his response to Daniel.

The "**prince of the kingdom of Persia**" is none other than a strong demon, who exemplifies Ephesians 6:12, and who does the oversight of principalities; i.e., of the various nations. (How could the earthly king withstand Gabriel in the Heavens?) The demon had spiritual power; as did the King, who had earthly power over his kingdom.

This liberty that God had extended to Satan and his demons to occupy as "the Prince of the Power of the Air," would end at the Rapture. During the Tribulation, Satan and his demons will be confined to the Earth; as the atmosphere will be off limits!

"And there was war in heaven: Michael and his angels fought against the dragon; and the dragon fought and his angels, (V.7)

And prevailed not; neither was their place found any more in heaven. (V.8)

And the great dragon was cast out, that old serpent, called the Devil, and Satan, which deceiveth the whole world: he was cast out into the earth, and his angels were cast out with him." (Revelation 12:7-9)

"Therefore rejoice, ye heavens, and ye that dwell in them. Woe to the inhabitants of the earth and of the sea! for the devil is come down unto you, having great wrath, BECAUSE HE KNOWETH THAT HE HATH BUT A SHORT TIME." (Revelation 12:12)

Notice in Verse 12b that Satan knows that Almighty God is in complete control. He knows for a fact "**that he hath but a short time.**" He knows that he will suffer defeat at the Battle of Armageddon when Christ returns; he knows he will be chained for 1,000 years with no access to God's creation; he knows he will be released for a "little season" for his army to suffer complete destruction at the Second Battle of Gog and Magog.

"And cast him into the bottomless pit, and shut him up, and set a seal upon him, that he should deceive the nations no more, till the thousand years should be fulfilled: and after that he must be loosed a little season." (Revelation 20:3)

He knows this is the last time he will ever see the daylight of God's creation again. He knows his eternity is in the Lake of Fire.

"And the devil that deceived them was cast into the lake of fire and brimstone, where the beast and the false prophet *are*, and shall be tormented day and night for ever and ever." (Revelation 20:10)

The only satisfaction Satan can experience is in deceiving as many of God's creation as he can into spending eternity in Torment with him.

Should one be able to see beyond their physical sight into the spiritual realm, they would envision all kinds of activity going on. At the death of every person you would see a heavenly angel transport that individual to Paradise, or Hell (Hades).

"And it came to pass, that the beggar died, and WAS CARRIED BY THE ANGELS into Abraham's bosom: the rich man also died, and was buried; (V.22)

And in hell he lift up his eyes, being in torments, and seeth Abraham afar off, and Lazarus in his bosom." (Luke 16:22-23)

With Satan and his demonic hordes being confined to the Earth, they will not be able to interfere with the angels of God as they are continually administering God's judgment on the earth.

B. God Enables the Antichrist to Do Supernatural Miracles.

"*Even him*, whose coming is after the working of Satan with all power and signs and lying wonders," (2 Thessalonians 2:9)

All supernatural miracles are from God or Satan. Demons also, as permitted. The reason God permits this is described, as the Holy Spirit inspired Paul to write in Verses 10,11,

"And with all deceivableness of unrighteousness in them that perish; because they received not the love of the truth, that they might be saved. (V.10)

And for this cause God shall send them strong delusion, that they should believe a lie:" (V.11)

All the saved were taken to Heaven at the Rapture, leaving only lost people to begin the Tribulation Period. They had all rejected Christ as their Savior, in spite of the myriads of miracles that he (Christ) had done as recorded in His Word, the Bible. He healed the sick completely; never a partial healing. He raised the dead, made the lame to walk, the blind to see; yet, they rejected Him.

"And many other signs (miracles) truly did Jesus in the presence of his disciples, which are not written in this book: (V.30)

But these are written, that ye might believe that Jesus (His Humanity) is the Christ (His Deity), the Son of God; and that believing ye might have life through his name." (John 20:30-31

Those unbelievers who were alive at the Rapture, and in the Tribulation, are now being warned about the False Christ by the Two Witnesses and the 144,000 Jewish witnesses. Many will be saved right after the Rapture, just as the Two Witnesses and the 144,000 Jews were. Those saved as a result of their ministry will also be warning others about the Antichrist. After 3 ½ years of being warned about the Antichrist and still remaining unsaved, they will believe Satan's lie that he is the true God, evidenced by the miracles that he is permitted to do. In 2 Thessalonians 2:10-12, God reveals why he permits the Antichrist this power.

"And with all deceivableness of unrighteousness in them that perish; because THEY RECEIVED NOT THE LOVE OF THE TRUTH, that they might be saved. (V.10

And for this cause God shall send them strong delusion, that they should believe a lie: (V.11)

That they all might be damned who believed not the truth, but had pleasure in unrighteousness. (V.12)

Notice in Verse 10, what stands out to me.

...they RECEIVED NOT the love of the truth..."

In other words, they had been witnessed to about Salvation; but, absolutely refused to believe it. That is, they had refused to accept the death and Resurrection of Jesus Christ as payment for their sins. The Lord gives the reason in Matthew 13:15.

"For this people's heart is waxed gross, and *their* ears are dull of hearing, and their eyes they have closed; lest at any time they should see with *their* eyes, and hear with *their* ears, and should understand with *their* heart, and should be converted, and I should heal them."

C. The Two "Beasts" of Revelation 13.

These two "beasts" have tremendous power to deceive. The first "beast" is the Antichrist; i.e., Satan indwelling a man who is declaring himself to be God, and ruling the whole world under his government. It is, therefore, a one-world government; not a revival of the Roman Empire, as some teach. (Note: In reality, the Roman Empire at its greatest extent only occupied 4.4% of the total land area of the world.) The second "beast" is the ruler over the one-world church.

The word "beast" is used in both cases; as it describes the character of these two men. Both are from the Greek, "therion," meaning "a wild and dangerous animal and/or a venomous ani-

mal,” such as a Komodo Dragon. In other words, their character is like that of a wild beast who injects their venom of lies into the minds of the people to deceive them. The Antichrist demands to be worshipped as the true and living God, ruling the whole world under his authority.

The second “beast,” who is over the One-World Church, will be recognized as the God of Religion. As we shall see later, the One-World Church, with its headquarters in Babylon, will be completely destroyed.

One of the miracles of the first “beast,” the Antichrist, will be a death and resurrection. This will be in mockery of Christ’s death and Resurrection. He will deceive the people into believing that Christ faked his death and Resurrection; therefore declaring himself to be the “true” God manifested in the flesh.

Can you not hear this great orator explaining the Rapture? He will be telling the people that they could never have had peace on this earth while these trouble makers, called Christians, originally known as “The Way” cult, were here. There was no such thing as the so-called Rapture; as I, myself, had to remove that cult religion of Christianity. All they wanted to do was fuss, fight, and argue. I wanted a peaceful world; so, I decided to remove them all at once, instead of a few at a time. I know how much this hurts, as many of these were your relatives. World peace is much more beneficial to the world than sadness at the loss of a few biological relatives. Revelation 13:5-8 describes the Antichrist’s rise to power.

And there was given unto him a mouth speaking great things and blasphemies; and power was given unto him to continue forty *and* two months. (V.5)

And he opened his mouth in blasphemy against God, to blaspheme his name, and his tabernacle, and them that dwell in heaven. (V.6)

And it was given unto him to make war with the saints, and to overcome them: and power was given him over all kindreds, and tongues, and nations. (V.7)

And all that dwell upon the earth shall worship him, whose names are not written in the book of life of the Lamb slain from the foundation of the world.” (V.8)

In Verses 3,4, Satan’s mock death and resurrection convinces the people that he is “the true and living god” and Jesus Christ was the imposter.

“And I saw one of his heads as it were wounded to death; and his deadly wound was healed: and all the world wondered after the beast. (V.3)

And they worshipped the dragon which gave power unto the beast: and they worshipped the beast, saying, Who *is* like unto the beast? who is able to make war with him?” (V.4)

In Verse 4, the “beast” and Satan (“dragon”) are one and the same person, known as the Antichrist. It is Satan indwelling a man, just as he did Judas (Luke 22:3). Satan exercises his power through the man he indwells, and is known as the Antichrist.

- a. The second “beast” of Revelation 13, that heads up the one-world church, is a man indwelt with a powerful satanic demon. He also performs miracles by the power of the demon who indwells him.

“And I beheld another beast coming up out of the earth; and he had two horns like a lamb, and he spake as a dragon. (V.11)

And he exerciseth all the power of the first beast before him, and causeth the earth and them which dwell therein to worship the first beast, whose deadly wound was healed.” (Revelation 13:11-12)



24. "Taking The Mark"

The second “beast” has the ability to deceive the world by the miracles he has the power to do. He is the False Prophet who now seems to mix government with religion. He uses all of his power and wisdom to seduce people to worship his father, Satan, the Antichrist. This False Prophet is indwelt with a powerful demon who followed Satan in his rebellion against God while residing on the Original Creation. Spiritually speaking, Satan is a father to all one-third of the angels that followed him; who are now disembodied demons.

“And he doeth great wonders, so that he maketh fire come down from heaven on the earth in the sight of men, (V.13)

And deceiveth them that dwell on the earth by *the means* of those miracles which he had power to do in the sight of the beast; saying to them that dwell on the earth, that they should make an image to the beast, which had the wound by a sword, and did live. (V.14)

And he had power to give life unto the image of the beast, that the image of the beast should both speak, and cause that as many as would not worship the image of the beast should be killed.” (Revelation 13:13-15)

As they view all these miracles, the majority of the world will be persuaded to take the mark of “666.” The 144,000 will be witnessing all over the world for seven years, warning people not to take the mark, along with the Two Witnesses in the first 3 ½ years before they are killed.

“And he causeth all, both small and great, rich and poor, free and bond, to receive a mark in their right hand, or in their foreheads: (V.16)

And that no man might buy or sell, save he that had the mark, or the name of the beast, or the number of his name. (V.17)

Here is wisdom. Let him that hath understanding count the number of the beast: for it is the number of a man; and his number is Six hundred threescore and six." Revelation 13:16-18

Humanity has never changed from the time of Christ, and on through the Church Age, the Tribulation Period, and the Millennium. Christ, Himself, stated there is only one way to Heaven in Matthew 7:13,14,

"Enter ye in at the strait gate: for wide *is* the gate, and broad *is* the way, that leadeth to destruction, and many there be which go in thereat: (V.13) Because strait *is* the gate, and narrow *is* the way, which leadeth unto life, and few there be that find it." (V.14)

The "narrow way" and the "strait gate" is the death and Resurrection of our Lord Jesus Christ, who paid for our sins on the Cross of Calvary. It is the only way to have eternal life; no matter what dispensation of time you are in.

"Jesus saith unto him, I am the way, the truth, and the life: no man cometh unto the Father, but by me." (John 14:6)

"For by grace are ye saved through faith; and that not of yourselves: *it is* the gift of God: (V.8) Not of works, lest any man should boast." (Ephesians 2:8-9)

b. The end of those who receive the mark "666" is recorded in Revelation 14:9-11.

"And the third angel followed them, saying with a loud voice, If any man worship the beast and his image, and receive *his* mark in his forehead, or in his hand, (V.9)

The same shall drink of the wine of the wrath of God, which is poured out without mixture into the cup of his indignation; and he shall be tormented with fire and brimstone in the presence of the holy angels, and in the presence of the Lamb: (V.10)

And the smoke of their torment ascendeth up for ever and ever: and they have no rest day nor night, who worship the beast and his image, and whosoever receiveth the mark of his name." (V.11)



25. "The First Two Seconds In Hell."

Those with the mark will be able to buy and sell, and live a fairly peaceful life, and be safe from the persecution of the Antichrist during the last 3½ years of the Tribulation. But they will have to survive the wrath of God's judgments falling on the Earth at that time. Their safety is only from the Antichrist, as they are one of his now! When Christ returns, personally, to judge the nations, at the end of the Tribulation; all of those with the mark "666" will not go to Hell ("Hades"); but, directly into the eternal Lake of Fire, as the picture illustrates.

"Then shall he say also unto them on the left hand, Depart from me, ye cursed, into everlasting fire, prepared for the devil and his angels:"
(Matthew 25:41)

D. What About the Seven Heads and Ten Horns?

"And I stood upon the sand of the sea, and saw a beast rise up out of the sea, having seven heads and ten horns, and upon his horns ten crowns, and upon his heads the name of blasphemy." (Revelation 13:1)

a. **Doctrinal Fact 1.** The "sea" is used to illustrate two doctrinal facts. The first is in reference to the one-world religion, except Judaism, during the first 3 ½ years after the Rapture.

"And he saith unto me, The waters which thou sawest, where the whore sitteth, are peoples, and multitudes, and nations, and tongues."
(Revelation 17:15)

It is also inclusive of the one-world government which controls all the people on Earth. Many of you may have stood on the shore of a large lake, or ocean, and you could not see the other side. The size of a sea (ocean) only illustrates the size of the one church and one government. Both will be world-wide.

b. **Doctrinal Fact 2.** The second doctrinal illustration is, the head of each organization will be a human being. Satan, himself, will indwell this beast; exercising his will and power through this man.

c. **The Seven Heads.** These seven men are in a power struggle for leadership. Men seem to always want to be in power. After the Rapture, every Christian will be gone from all over the world. Now, who is going to be the leader of the federation of nations? After some time, with no other details given; five men are no longer in the running, as five are fallen.

"And there are seven kings: five are fallen, and one is, *and* the other is not yet come; and when he cometh, he must continue a short space."
(Revelation 17:10)

As of this writing, several Republicans have entered the political arena to be the one to oppose the democratic incumbent for the Presidency of the United States. All have fallen out except four, and two of them appear to be standing on thin ice; which would leave but two. This illustrates what will happen in the first 3 ½ years after the Rapture.

Number Six steps up for a time as the middle of the Tribulation approaches. Then, Number Seven, who is the Antichrist and Satan incarnated arises, declaring himself to be God. Number Six is then "history" as far as his leadership of the federation of nations is concerned.

"Who opposeth and exalteth himself above all that is called God, or that is worshipped; so that he as God sitteth in the temple of God, shewing himself that he is God." (2 Thessalonians 2:4)

He then mocks the death and Resurrection of Jesus Christ.

THE POWER STRUGGLE OF THE FIRST 3 ½ YEARS OF THE TRIBULATION PERIOD; WHICH THE “BEAST” (ANTI-CHRIST) WINS.

“AND THERE (THESE) ARE SEVEN KINGS:...”

“FIVE ARE FALLEN...”

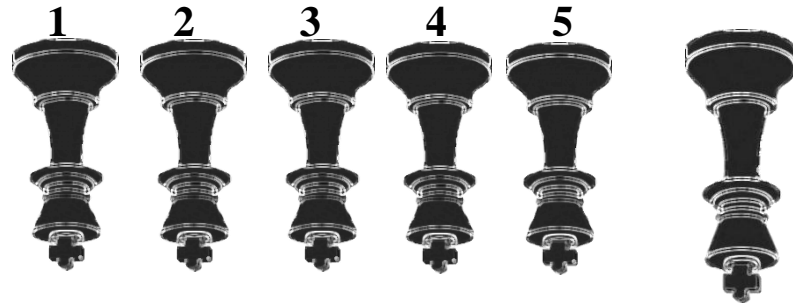
**ONE IS
(HE FALLS)**

**YET TO
COME**

**(IS HERE)
AND THE BEAST
THAT WAS**

**IS
NOT**

**EVEN HE
IS
THE 8TH”**



(ALIVE)

(DIED)

(RESURRECTED)

“And there (these) are seven kings: five are fallen, and one is, *and* the other is not yet come; and when he cometh, he must continue a short space. (V.10) And the beast that was, and is not, even he is the eighth, and is of the seven, and goeth into perdition.”- Revelation 17:10-11

“And I saw one of his heads as it were wounded to death; and his deadly wound was healed: and all the world wondered after the beast. (V.3)

And they worshipped the dragon which gave power unto the beast: and they worshipped the beast, saying, Who *is* like unto the beast? who is able to make war with him?” (Revelation 13:3-4)

In Revelation, Chapter 17, we find additional information about the Antichrist (the first “beast” of Revelation 13) concerning his resurrection.

“And here *is* the mind which hath wisdom. The seven heads are seven mountains, on which the woman sitteth.” (Revelation 17:9)

The woman is the one-world church, with her headquarters in Babylon during the first 3 ½ years of the Tribulation Period.

And upon her forehead *was* a name written, MYSTERY, BABYLON THE GREAT, THE MOTHER OF HARLOTS AND ABOMINATIONS OF THE EARTH. (V.5)

“And I saw the woman drunken with the blood of the saints, and with the blood of the martyrs of Jesus: and when I saw her, I wondered with great admiration.” (Revelation 17:5-6)

The Apostle John is addressed by an angel who will explain the “mystery” of the “woman,” the “seven heads,” and the “ten horns.” This is a perfect example of what the word “mystery” means in Scripture. It is not something hidden; but, is a “truth revealed at the proper time.”

“And the angel said unto me, Wherefore didst thou marvel? I WILL TELL THEE THE MYSTERY of the woman, and of the beast that carrieth her, which hath the seven heads and ten horns.” (Revelation 17:7)

“And there are seven kings: five are fallen, and one is, *and* the other is not yet come; and when he cometh, he must continue a short space. (V.10)

And the beast that was, and is not, even he is the eighth, and is of the seven, and goeth into perdition. (V.11)

And the ten horns which thou sawest are ten kings, which have received no kingdom as yet; but receive power as kings one hour with the beast. (V.12)

These have one mind, and shall give their power and strength unto the beast.” (Revelation 17:10-13)

(1). **Verse 10.** The word “THERE” in the phrase “**there are seven kings,**” should be translated as “THESE,” or “THEY” are seven kings. The reason is that the “**seven heads**” in Verse 9 are the same as the “**seven kings**” in Verse 10. “**Kings**” illustrates their authority and rule over the people. In Verse 9, “HEADS” is from the Greek “kephale,” meaning “these” seven heads were ruling in authority over the people. The same Greek word is used in reference to Christ being over the Church.

“And hath put all *things* under his (Christ’s) feet, and gave him (Christ) *to be* the HEAD over all *things* to the church,” (Ephesians 1:22)

Verse 9 illustrates very simply that, as the mountains are higher than the ground, the seven rulers are higher in authority in ruling over the people.

(2). **Verse 10 Continued.**

- “**...five are fallen...**”(out of contention as head of the federation of nations.
- “**...and one is...**” (This is Number Six).
- “**...and the other is not yet come...**” (This is Number Seven.)
- “**...and when he cometh, he must continue a short space.**” (After his death and resurrection, he will continue for 3 ½ years until the Battle of Armageddon.)

(3). **Verse 11.** Verse 11 describes his death and resurrection.

- “**And the beast...**” (the Anti-Messiah**).
- “**...that was...**” (alive).
- “**...and is not...**” (his death).
- “**...even he is the eighth...**” (his resurrection).
- “**...and is of the seven...**” (A reminder that this was a human being, indwelt by Satan, who literally died and had a resurrection!).
- “**...and goeth into PERDITION.**”

Note: “Perdition” is the Greek “apollumi.” “The idea is not extinction; but, ruin, loss, not of being, but of well-being. The loss of well-being in the case of the unsaved hereafter.” (Word)

“And the devil that deceived them was cast into the lake of fire and brimstone, where the beast and the false prophet *are*, and SHALL BE TORMENTED DAY AND NIGHT FOR EVER AND EVER.” (Revelation 20:10)

One cannot be “tormented day and night forever,” if you cease to exist! All human beings will someday exit their bodies and spend eternity in Heaven or Hell.)

Note: ** Anti-Messiah. This is simply another name for the Antichrist, and is used for the Jewish Nation. They rejected the real Messiah and have accepted many false ones since that time. The Antichrist will allow the Jews to rebuild their temple and resume their sacrifices, in order to convince them he is the “real” Messiah. The name “Antichrist” is for the world in general. Both names indicate the same individual, a man indwelt by Satan, and are used according to the context.

d. **Verse 12.** The Ten Horns.

“And the ten horns which thou sawest are ten kings, which have received no kingdom as yet; but receive power as kings one hour with the beast.” (Revelation 17:12)

We are now in the middle of the Tribulation Period. The Antichrist will appoint ten men and give them the power as kings, with the authority to rule the world under his leadership as the “God of this world.” “One hour” indicates this will not take long to accomplish.

Picture them all in a conference room as the Anti-Messiah reveals his plans to appoint each of the ten a kingdom over which to rule. Their responsibility will be to get everyone they can to take the mark of “666.” Those who refuse will not be able to buy or sell, use services of any kind; or, have any access to any needed medical treatment or medicine. If apprehended, they will be killed! Everything is now ready to move forward, as we shall see.

These have one mind, and shall give their power and strength unto the beast.” – Revelation 17:13

- (1). **Verse 14.** Here is a wave of truth into the future that reveals that these ten kings will follow the Antichrist into the Battle of Armageddon when Christ returns at the end of the Tribulation Period.

“These shall make war with the Lamb, and the Lamb shall overcome them: for he is Lord of lords, and King of kings: and they that are with him *are* called, and chosen, and faithful.” (Revelation 17:14)

PETRA, TRIBULATION REFUGE

A. The Tribulation Period

The Tribulation Period is a period of seven years from the Rapture to the Revelation, known as the 70th Week of Daniel (Daniel 9:27), and Jacob's Troubles (Jeremiah 30:6,7).

B. The Great Tribulation

This is the last 3 ½ years of the Tribulation Period when Israel will experience her greatest persecution. This is described in Matthew 24:15-22.

“When ye therefore shall see the abomination of desolation, spoken of by Daniel the prophet, stand in the holy place, (V. whoso readeth, let him understand:) (V. 15)

Then let them which be in Judaea flee into the mountains: (V. 16)
Let him which is on the housetop not come down to take any thing out of his house: (V.17)

Neither let him which is in the field return back to take his clothes. (V. 18) And woe unto them that are with child, and to them that give suck in those days! (V. 19)

But pray ye that your flight be not in the winter, neither on the sabbath day: (V. 20)

For then shall be great tribulation, such as was not since the beginning of the world to this time, no, nor ever shall be. (V. 21) And except those days should be shortened, there should no flesh be saved: but for the elect's sake those days shall be shortened.” (V. 22)

We also know from Isaiah 6:13 that 9 out of 10 Jews will die outside of Palestine. Zechariah 13:8,9 lets us know that 2/3 will be killed in the land.

If the Devil could exterminate Israel, he would prove the Word of God to be false; but, God protects His chosen people, Israel. His Word can never be broken. In the past he saved an ungrateful, rebellious Israel simply **“for His names sake”** (Psalm 106:8), which he had magnified above His name. (Psalm 138:2). In Matthew 24:35, Christ assures all humanity that,

“Heaven and earth shall pass away, but my words shall not pass away.” (Matthew 24:35)

In the middle of the Tribulation Period, the Antichrist breaks his covenant with Israel. He goes into the Jewish Temple and declares himself to be God.

Christians that witness for the Lord are the best friend a lost person has. God is trusting his children to be faithful to tell others that Heaven is a free gift.

“But as we were allowed of God to be put in trust with the gospel, even so we speak; not as pleasing men, but God, which trieth our hearts.” (1 Thessalonians 2:4)

His pursuit to kill the Jews is previously given in Matthew 24:15-22. For the Jews that are able to escape, God has a sanctuary for their protection for the last 3 ½ years until Christ returns. Revelation 12:6 explains,

“And the woman fled into the wilderness, where she hath a place prepared of God, that they should feed her there a thousand two hundred *and* threescore days.” (Revelation 12:6)

The woman is Israel (Jeremiah 3:6-10). The 1,260 days are the last 3 ½ years of the Tribulation Period, known as the Great Tribulation. Revelation 12:14-17 gives us some insight concerning their escape.

“And to the woman were given two wings of a great eagle, that she might fly into the wilderness, into her place, where she is nourished for a time, and times, and half a time, from the face of the serpent. (V.14)

And the serpent cast out of his mouth water as a flood after the woman, that he might cause her to be carried away of the flood. (V.15)

And the earth helped the woman, and the earth opened her mouth, and swallowed up the flood which the dragon cast out of his mouth. (V.16)

And the dragon was wroth with the woman, and went to make war with the remnant of her seed, which keep the commandments of God, and have the testimony of Jesus Christ.” (Revelation 12:14-17)

- a. **Verse 14: “...wings of a great eagle.”** God uses many things in nature to illustrate a Biblical truth. Here, He is using an eagle to illustrate His power, and “wings to fly” is illustrating the swiftness by which He takes those who have escaped from the Antichrist (Satan).
- b. **Verse 14: “that she might fly into the wilderness, into her place,”**

The area to which she (Israel) will flee will, undoubtedly, be south of Jerusalem in a great stretch of wilderness known as the land of Moab and Edom. It is in this region where the ancient city of Petra is located. Petra is almost 120 miles from Jerusalem. The prophecy of Daniel in 11:41 states that this land escapes the control of the Antichrist.

“He shall enter also into the glorious land, and many *countries* shall be overthrown: but these shall escape out of his hand, *even* EDOM, and Moab, and the chief of the children of Ammon.” (Daniel 11:41)

The rock city of Petra is a natural fortress of solid rock, which is almost invulnerable. The Moabites and Edomites dug out caves and carved temples centuries ago. These are now ready-made shelters for the Jews. There is only one entrance, and that is through a narrow gorge about one mile long. In some places it is not more than 10 to 12 feet wide. Once inside, one man could hold off an army. Many years ago, a Bible teacher by the name of Blackstone, realizing this prophecy; wrapped many Bibles in wax, waterproof coverings; and hid them in these caves. They were put there for the Jews to find when they arrived.

c. **Revelation 12:15:** Satan's army tries to overtake the fleeing Jews.

"And the serpent cast out of his mouth water as a flood after the woman, that he might cause her to be carried away of the flood."

"**And the serpent (Antichrist) cast out of his mouth.**" Satan gave the orders to some of his army, likened unto a flood to pursue and bring the Jews back for public execution. This same figure of speech was similar to that concerning the nation of Egypt. Notice in Jeremiah 46:7,8.

"Who *is* this *that* cometh up as a flood, whose waters are moved as the rivers? (V.7)

Egypt riseth up like a flood, and *his* waters are moved like the rivers; and he saith, I will go up, *and* will cover the earth; I will destroy the city and the inhabitants thereof." (Jeremiah 46:7-8)

d. **Revelation 12:16:** "**And the earth helped the woman, and the earth opened her mouth, and swallowed up the flood...**"

God had prepared a place of refuge, and it was to be used. I should say that Satan sent a division of his army after the Jews. He sent them on a death march! The Lord just ordered an earthquake. The earth just opened up and down went the whole division. This is nothing new to the Lord. In Numbers 16, "Korah" and his followers rebelled against two of God's servants, Moses and Aaron. God handled these rebellious ingrates as recorded in Numbers 16:32,33.

"And the earth opened her mouth, and swallowed them up, and their houses, and all the men that *appertained* unto Korah, and all *their* goods. (V.32)

They, and all that *appertained* to them, went down alive into the pit, and the earth closed upon them: and they perished from among the congregation." (Numbers 16:32-33)

"*It is* a fearful thing to fall into the hands of the living God." (Hebrews 10:31)

Now, back to Petra, of which we have inserted 4 pictures. We hope this will give you some idea of what this place looks like where some of the Jews will be kept safe until Christ returns.

We will be watching from the windows of Heaven for we will be with Christ when this takes place. Israel will no doubt be singing Psalm 124 after their deliverance.

"If it had not been the Lord who was on our side, now may Israel say; (1) If it had not been the Lord who was on our side, when men rose up against us: (2) Then they had swallowed us up quick, when their wrath was kindled against us: (3)

Then the waters had overwhelmed us, the stream had gone over our soul: (4) Then the proud waters had gone over our soul. (5)

Blessed be the Lord, who hath not given us as a prey to their teeth. (6) Our soul is escaped as a bird out of the snare of the fowlers: the snare is broken, and we are escaped. (7)

Our help is in the name of the Lord, who made heaven and earth. (Psalm 124:1-8)

No matter what dispensation of time we are living in, our help is certainly in the name of the Lord!

Revelation 12:17:

"And the dragon was wroth with the woman, and went to make war with the remnant of her seed, which keep the commandments of God, and have the testimony of Jesus Christ." (Revelation 12:17)

Satan hates Christ and his followers. In Matthew 4, Satan could not defeat Christ, so he directed his attention to His children. Christ defeated him by the Word of God, "as it is written." Satan could not destroy Christ, nor the Word of God, and neither can he defeat us if we read and obey what God says.

Just as God has sealed the 144,000, He has set His seal upon Israel. In Numbers 35, God appointed refuge cities for those who were guilty of manslaughter. Those guilty could flee to one of the cities.

Israel was also guilty of manslaughter; but God in His gracious mercy, many believe, has provided a refuge city for them called Petra. Israel was not responsible alone for the death of Christ. The whole world was, "**For all have sinned** (Romans 3:23) and God sent His Son to pay for the sins of the whole world (John 3:16). Just as God provided a refuge for Israel's physical safety; so also has he promised provision for our spiritual safety. Our refuge spiritually is in Christ.

C. Petra, "City of Refuge"

Petra, which in the Greek means "πέτρα" "rock; or fortress"; and in the Hebrew, "sela," which has a similar meaning. It is a historic city that has rock cut architecture and a water conduits system. It was established sometime around the 6th century BC as the capital city of the Nabataeans. It lies on the slope of Mount Hor in a basin among the mountains which form the eastern flank of Arabah (Wadi Araba), the large valley running from the Dead Sea to the Gulf of Aqaba. The site remained unknown to the Western world until 1812, when it was introduced by Swiss explorer Johann Ludwig Burckhardt. It was described as "a rose-red city half as old as time" in a prize-winning sonnet by John William Burgon.

Pliny the Elder and other writers identify Petra as the capital of the Nabataeans, the Aramaic-speaking Semites, and the center of their caravan trade. Enclosed

by towering rocks and watered by a perennial stream, Petra not only possessed the advantages of a fortress, but controlled the main commercial routes which passed through it to Bosra and Damascus in the north, to Aqaba and other locations on the Red Sea, and across the desert to the Persian Gulf.

Excavations have demonstrated that it was the ability of the Nabataeans to control the water supply that led to the rise of the desert city, creating an artificial oasis. The area is visited by flash floods and archaeological evidence demonstrates the Nabataeans controlled these floods by the use of dams, cisterns and water conduits. These innovations stored water for prolonged periods of drought, and enabled the city to prosper from its sale.

(Left) The narrow passage, called "The Siq" leads to Petra, looking toward "The Treasury."



27. Petra, City of Refuge #1



Petra is known as the Rose-Red City for the color of the rocks in which Petra is carved.

A little further from the Treasury (below), is a massive theatre, so placed as to bring the greatest number of tombs within view. At the point where the valley opens out into the plain, the site of the city is revealed with striking effect. The amphitheater has been cut into the hillside and into several of the tombs during its construction. Rectangular gaps in the seating are still visible. Almost enclosing it on three sides are rose-colored mountain walls, divided into groups by deep fissures, and lined with knobs cut from the rock in the form of towers.

Evidence suggests that settlements had begun in and around Petra about 1550-1292 BC. It is listed in Egyptian campaign accounts and the Amarna letters as Pel, Sela, or Seir. A sanctuary has existed there since very ancient times. This part of the country was biblically assigned to the Horites, the predecessors of the Edomites.

The habits of the original natives may have influenced the Nabataean custom of burying the dead and offering worship in half-excavated caves. 2 Kings 14:7 gives the meaning of "*Sela*, the rock-city of Idumæa :- rock, Sela (-h)." In the parallel passage in 2 Chronicles 25:11,12, however, "*Sela*" means "from an unused root meaning to be *lofty*; a craggy *rock*, literal or figurative (a *fortress*) :- (ragged) rock, stone (-ny), strong hold. " 2 Chronicles 25:12 calls it the "*Valley of Salt*," which recalls the salt caravans of ancient and modern History.



28. Petra, City of Refuge, Amphitheatre.

On the authority of Josephus (*Antiquities of the Jews* iv. 7, 1-4, 7) Eusebius and Jerome (*Onom. sacr.* 286, 71. 145, 9; 228, 55. 287, 94) assert that Rekem was the native name and *Rekem* appears in the Dead Sea scrolls as a prominent Edom site most closely describing Petra and associated with Mount Seir.

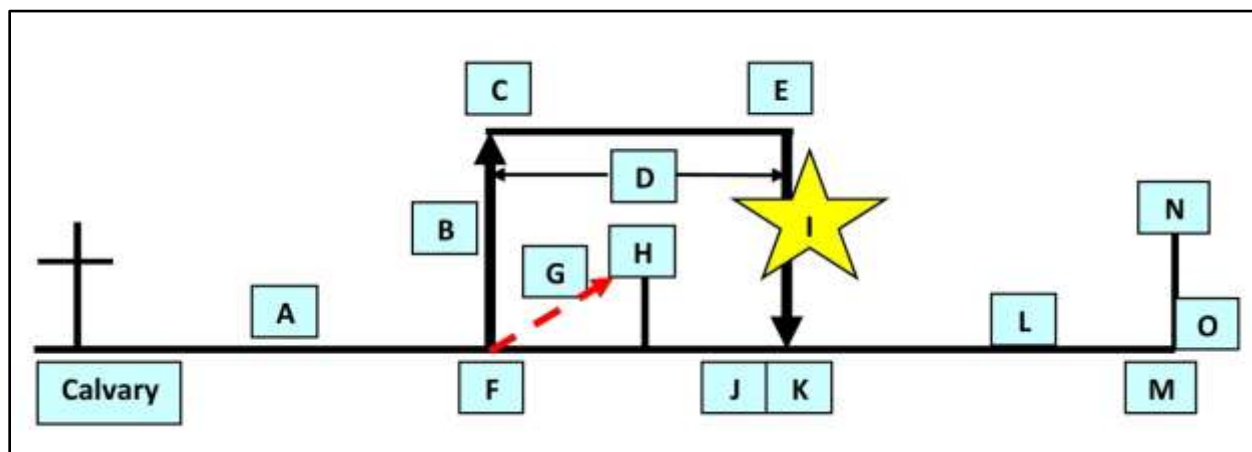
Under Roman rule, in 106 AD, that part of Arabia under the rule of Petra was absorbed into the Roman Empire as part of Arabia Petraea, becoming its capital. The native dynasty came to an end; but, the city continued to flourish. A century later, in the time of Alexander Severus, when the city was at the height of its splendor, the issue of coinage comes to an end. There is no more building of sumptuous tombs, owing apparently to some sudden catastrophe, such as an invasion by the Sassanid Persians.

Christianity found its way to Petra in the 4th century AD, nearly 500 years after the establishment of Petra as a trade center. Athanasius mentions a bishop of Petra. At least one of the tombs (the "tomb with the urn"?) was used as a church. An inscription in red paint records its consecration "in the time of the most holy bishop Jason" (447).

Petra declined rapidly under Roman rule, in large part due to the revision of sea-based trade routes. In 363 an earthquake destroyed many buildings, and crippled the vital water management system. The ruins of Petra were merely an object of curiosity in the Middle Ages, and the first European to describe them was Johann Ludwig Burckhardt in 1812. Because the structures weakened with age, many of the tombs became vulnerable to thieves, and many treasures were stolen.

Here is Dean John William Burgon's Poem *Petra*. He is referring to it as the inaccessible city which he had heard described; but had never seen.

"It seems no work of Man's creative hand,
By labour wrought as wavering fancy planned;
But from the rock as if by magic grown,
Eternal, silent, beautiful, alone!
Not virgin-white like that old Doric shrine,
Where erst Athena held her rites divine;
Not saintly-grey, like many a minster fane,
That crowns the hill and consecrates the plain;
But rose-red as if the blush of dawn,
That first beheld them were not yet withdrawn;
The hues of youth upon a brow of woe,
Which Man deemed old two thousand years ago,
Match me such marvel save in Eastern clime,
A rose-red city half as old as time."



THE SECOND COMING: STAR "I"

I. CHRIST RETURNS TO THE EARTH.

A. Location, the Mount of Olives.

"And his feet shall stand in that day upon the mount of Olives, which is before Jerusalem on the east, and the mount of Olives shall cleave in the midst thereof toward the east and toward the west, and there shall be a very great valley; and half of the mountain shall remove toward the north, and half of it toward the south." (Zechariah 14:4)

B. Saints of God Will Come With Christ.

"And Enoch also, the seventh from Adam, prophesied of these, saying, Behold, the Lord cometh with ten thousands of his saints," (Jude 1:14)

C. Christ Sits Upon His Throne.

"When the Son of man shall come in his glory, and all the holy angels with him, then shall he sit upon the throne of his glory:" (Matthew 25:31)

D. Purpose, To Judge The Nations.

"I charge thee therefore before God, and the Lord Jesus Christ, who shall judge the quick and the dead at his appearing and his kingdom;" (2 Timothy 4:1)

This is a brief overview of the difference between the Rapture and the Second Coming, or the Return of Christ to judge the nations. Therefore, I am using only limited verses that distin-

guish the difference between the two events, showing they are not one and the same.

The Revelation of Christ is when Christ comes back to the Earth to establish His Kingdom for 1,000 years. He judges the nations, defeats Satan and his army at the Battle of Armageddon, and chains Satan for a 1,000 years during the Kingdom rule and reign of Jesus Christ as King of Kings and Lord of Lords. (Revelation 20:1-3).

It should be acknowledged that in the gospels: Matthew, Mark, Luke, and John, that every reference to Christ's coming is NOT the Rapture; but, rather, the Revelation of Christ at the conclusion of the 7-Year Tribulation to judge the nations. The Old Testament prophets knew nothing of the Rapture, as it was a mystery until revealed unto the Apostle Paul. (Ephesians 3:1-10).

"For this cause I Paul, the prisoner of Jesus Christ for you Gentiles,
(V.1)

If ye have heard of the dispensation of the grace of God which is given me to you-ward: (V.2)

How that by revelation he made known unto me the mystery; (as I wrote afore in few words, (V.3)

Whereby, when ye read, ye may understand my knowledge in the mystery of Christ) (V.4)

Which in other ages was not made known unto the sons of men, as it is now revealed unto his holy apostles and prophets by the Spirit; (V.5)

That the Gentiles should be fellow-heirs, and of the same body, and partakers of his promise in Christ by the gospel: (V.6)

Whereof I was made a minister, according to the gift of the grace of God given unto me by the effectual working of his power. (V.7)

Unto me, who am less than the least of all saints, is this grace given, that I should preach among the Gentiles the unsearchable riches of Christ; (V.8)

And to make all *men* see what *is* the fellowship of the mystery, which from the beginning of the world hath been hid in God, who created all things by Jesus Christ: (V.9)

To the intent that now unto the principalities and powers in heavenly *places* might be known by the church the manifold wisdom of God," (Ephesians 3:1-10)

The Rapture and the Revelation are entirely two different events, separated by seven years. Notice carefully that, at the Rapture, the Christians are taken up and the lost are left. At the Revelation of Christ when He comes and judges the nations the opposite takes place. The lost are taken and thrown into the Lake of Fire.

"Then shall he say also unto them on the left hand, Depart from me, ye cursed, into everlasting fire, prepared for the devil and his angels:" (Matthew 25:41)

The saved are left to enter the Earthly Kingdom of Christ.

"Then shall the King say unto them on his right hand, Come, ye blessed of my Father, inherit the kingdom prepared for you from the foundation of the world:" (Matthew 25:34)

At the Rapture Christ does not come to the Earth; BUT, at the Revelation, he does. In other words, the Rapture begins the 7-Year Tribulation Period and the Judgment of the Nations ends the Tribulation Period; as the Millennial Reign of Christ has begun.

One must remember that when Matthew, Mark, Luke, or John speak of Christ's Return, it is always in reference to His Coming at the conclusion of the Tribulation and establishing of the Millennial Kingdom and the Judgment of the Nations; or, The Revelation.

Seven years prior to this event, we find Christ coming to Rapture His Church into Heaven; which initiates the start of the Tribulation.

A huge mistake that has caused much confusion among believers is that many pastors and Bible teachers apply these two comings to the same event. Allow me to illustrate what takes place in the Gospels concerning Christ's Return. This is exactly opposite of what takes place at the Rapture. For example, let us look in Matthew 24:39-41,

"And knew not until the flood came, and took them all away; so shall also the coming of the Son of man be." (V.39)

"Then shall two be in the field; the one shall be taken, and the other left. (40)"

"Two women shall be grinding at the mill; the one shall be taken, and the other left. (V.41)"

Additional information is given in Chapter 25:31-33,

"When the Son of man shall come in his glory, and all the holy angels with him, then shall he sit upon the throne of his glory: (V.31)."

"And before him shall be gathered all nations: and he shall separate them one from another, as a shepherd divideth his sheep from the goats: (V.32)."

"And he shall set the sheep on his right hand, but the goats on the left. V.(33)."

You will notice in Verse 31 that Christ comes in His glory to sit upon the throne of His glory. This is his return to the Earth to establish His Kingdom. In Verses 32 and 33, He judges the people of the world. The "sheep" are the saved and the "goats" are the unsaved. His King-

dom on Earth will be started with all saved people. Verse 34 describes the inheritance of the saved.

"Then shall the King say unto them on his right hand, Come, ye blessed of my Father, inherit the kingdom prepared for you from the foundation of the world:" (Matthew 25:34)

Now let us look at Verses 40, 41, once again,

"Then shall two be in the field; the one shall be taken, and the other left. (V.40) Two women shall be grinding at the mill; the one shall be taken, and the other left. (V.41)."

Notice carefully, that the ones that are taken are the lost that are cast into the everlasting fires of Hell. The ones that are left are the saved that enter Christ's Kingdom on Earth.

What takes place at the Rapture is OPPOSITE of what takes place at the Judgment of the Nations. These two comings of Christ are NOT the same event, as the two are separated by the space of seven years, known as the Seven-Year Tribulation period of time.

Now let us look at 1 Thessalonians 4:15-17,

"For this we say unto you by the word of the Lord, that we which are alive and remain unto the coming of the Lord shall not prevent them which are asleep. (V. 15)

For the Lord himself shall descend from heaven with a shout, with the voice of the archangel, and with the trump of God: and the dead in Christ shall rise first: (V. 16)

Then we which are alive and remain shall be caught up together with them in the clouds, to meet the Lord in the air: and so shall we ever be with the Lord. (V. 17)"

In Verse 15 the word "prevent" is the Greek word that means "precede." The word "asleep" is referring to the body; not, the soul and spirit. James 2:26 lets us know that,

"For as the body without the spirit is dead,..."

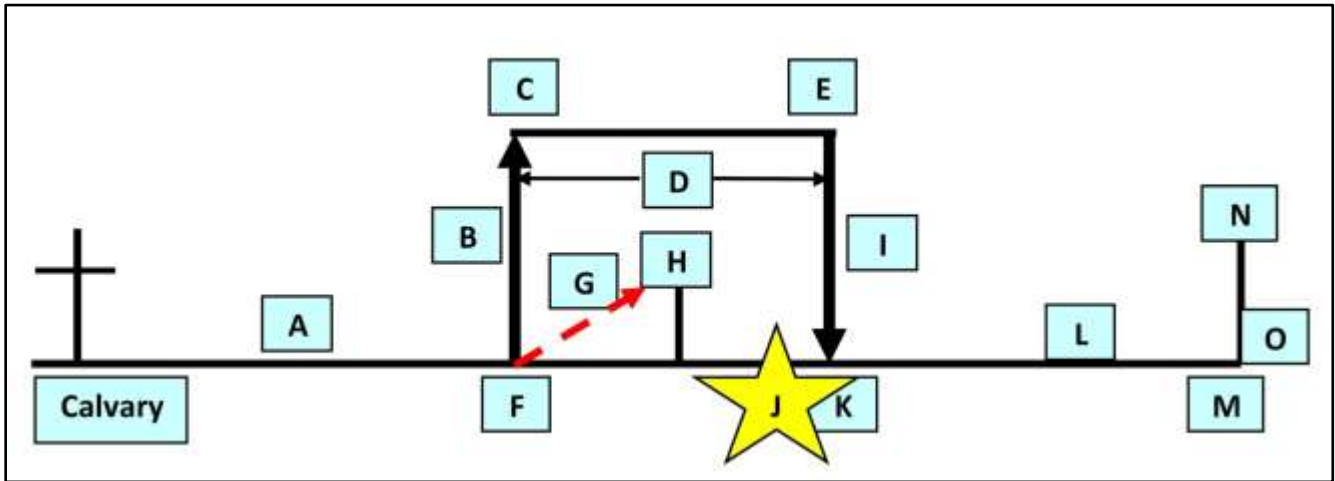
2 Corinthians 5:8 states that,

"We are confident, I say, and willing rather to be absent from the body, and to be present with the Lord."

F. COMPARISON OF THE RAPTURE & REVELATION

| <p style="text-align: center;">THE RAPTURE 1 Thessalonians 4:15-17</p> | <p style="text-align: center;">THE REVELATION Matthew 24:39-41, Matthew 25:31-34,40,41</p> |
|--|---|
| 1. Christ does not come to Earth | 1. Christ does come to the Earth. |
| 2. Christ's coming ends the Church Age, and starts the Tribulation. | 2. Christ coming ends the Tribulation and starts the Kingdom. |
| 3. Those taken are the saved. | 3. Those taken are the lost. |
| 4. Those taken go to Heaven. | 4. Those taken are cast into Hell. |
| 5. Those left are the lost. | 5. Those left are the saved that go into the Kingdom. |
| 6. The unsaved are left alive to enter the Tribulation. | 6. The unsaved are not left alive; but judged and cast into the everlasting fire. |
| 7. Christ does not come to set up the Kingdom. | 7. Christ does come to establish His Kingdom on Earth. |

There is no way a person can understand Bible Prophecy, unless they can distinguish what events and periods of time they are related to. A continuity time line of events prophetically given from the Rapture to the creation of the New Heaven and Earth has to be applied in a dispensational order. If not, you will end up with verses contradicting other verses, like a bowl full of spaghetti!



THE BATTLE OF ARMAGEDDON: STAR "J"

I. INTRODUCTION.

A. The Scriptures:

1. Revelation 16:12-16
2. Revelation 9:13, 16, 18
3. Joel 3:2,3; Joel 3:2, 9-14
4. Revelation 14:14-20
5. Revelation 19:19-21

This battle takes place at the end of the Tribulation Period, prior to the Judgment of the Nations and the establishment of Christ's earthly kingdom.

As it is with many prophecies given, the prophets only prophesied "in part." One prophet would supplement the other. In other words, what was partially revealed to one prophet was given added revelation to another. As we shall see, Joel, Zechariah, and the Apostle John all contribute information concerning this Battle of Armageddon

And the sixth angel poured out his vial upon the great river Euphrates; and the water thereof was dried up, that the way of the kings of the east might be prepared. (V.12)

And I saw three unclean spirits like frogs come out of the mouth of the dragon, and out of the mouth of the beast, and out of the mouth of the false prophet. (V.13)

For they are the spirits of devils, working miracles, which go forth unto the kings of the earth and of the whole world, to gather them to the battle of that great day of God Almighty. (V.14)

Behold, I come as a thief. Blessed is he that watcheth, and keepeth his garments, lest he walk naked, and they see his shame. (V.15)

And he gathered them together into a place called in the Hebrew tongue Armageddon." (Revelation 16:12-16)

B. Verse 12. The Drying-Up of the River Euphrates.

Clear back in Newsweek, February 11, 1974, they ran an article stating "rapid progress is being made on the High Euphrates Dam, which is being built with Soviet aid." Its purpose was for irrigating the land between the Tigris and Euphrates River with the anticipation of being able to feed some one billion people. This very well could be the means of drying up the river, making it possible for the "kings of the east" and their armies to cross over.

C. "Kings of the East."

This would include China, Japan, India, and etc. In Revelation 9:16,18 we find part of a wave of truth that extends clear to the end of the Tribulation Period, in reference to this great war of Armageddon.

"And the number of the army of the horsemen were two hundred thousand thousand: and I heard the number of them." (Revelation 9:16)

"By these three was the third part of men killed, by the fire, and by the smoke, and by the brimstone, which issued out of their mouths." (Revelation 9:18)

This is a two-hundred million man army, headed up by the Unholy Trinity: the Dragon (Satan), the Beast (Antichrist), and the False Prophet (Anti-Spirit).

"And I saw three unclean spirits like frogs come out of the mouth of the dragon, and out of the mouth of the beast, and out of the mouth of the false prophet." (Revelation 16:13)

The Unholy Trinity was referenced to frogs; because some people at that time, who considered others to be "quacks," labeled them as "frogs," and metaphorically associated with serpents (i.e., evil); just as some label people today.

For example:

- a. A man who is a woman-chaser is called a "wolf."
- b. A treacherous man – "a snake in the grass."
- c. A grouchy man – "a bear."
- d. A woman who quietly slips around – "catty."
- e. A shrewd business man – "foxy."

- f. A promiscuous woman – “a birdie”
- g. A coward – “chicken.”
- h. A dull person – “an ox.”
- i. A stubborn person – “a mule.”

In Revelation 6:8, you will recall that one-fourth of the population will have died in the first 3 ½ years of the Tribulation Period, besides the armies of Russia, Turkey, Germany, Iran, Libya, and Ethiopia. Excluding Russia and her allies, many were Christians.

“And when he had opened the fifth seal, I saw under the altar the souls of them that were slain for the word of God, and for the testimony which they held: (V.9)

And they cried with a loud voice, saying, How long, O Lord, holy and true, dost thou not judge and avenge our blood on them that dwell on the earth?” (Revelation 6:9-10)

D. Joel 3:2,3: Location of the Battle of Armageddon.

“I will also gather ALL NATIONS, and will bring them down into the valley of JEHOSHAPHAT, and will plead with them there for my people and for my heritage Israel, whom they have scattered among the nations, and parted my land. (V.2)

And they have cast lots for my people; and have given a boy for an harlot, and sold a girl for wine, that they might drink.” (Joel 3:2-3)

“Jehoshaphat” means “Jehovah Judgeth.” In Revelation 16:16, the location is named “Armageddon.”

“And he gathered them together into a place called in the Hebrew tongue Armageddon.” (Revelation 16:16)

The Greek is “ar-ma-ged-on” with English spelling “Armageddon. This Greek word is from the Hebrew for “Mount Megiddo (*Har-Megiddon*).” The Valley of Jezreel and the Plain of Esdraelon lie at the foot of Mt. Megiddo, where many battles have been fought in the past. The city of Megiddo was important as it guarded one of the main entrances to the valley.

E. Joel 3:2, 9-14: God Invites the Ungodly To Their Battle of Death.

“I will also GATHER ALL NATIONS, and will bring them down into the valley of Jehoshaphat, and will plead with them there for my people and for my heritage Israel, whom they have scattered among the nations, and parted my land.” (Joel 3:2)

“Proclaim ye this among the Gentiles; Prepare war, wake up the mighty men, let all the men of war draw near; let them come up: (V.9)

Beat your plowshares into swords, and your pruninghooks into spears: let the weak say, I am strong. (V.10)

Assemble yourselves, and come, ALL YE HEATHEN, and gather yourselves together round about: thither cause thy mighty ones to come down, O Lord. (V.11)

Let the heathen be wakened, and come up to the valley of Jehoshaphat: for there will I sit to judge all the heathen round about. (V.12)

Put ye in the sickle, for the harvest is ripe: come, get you down; for the press is full, the fats overflow; for their wickedness is great. (v.13)

MULTITUDES, MULTITUDES in the valley of decision: for the day of the Lord is near in the valley of decision." (Joel 3:9-14)

In Joel 3:2, the word "plead" is very misleading. We think in our English as begging, or pleading with someone to do something we want them to do; or to stop them from doing something they intended to do, etc. The Hebrew for "plead" is "shaphat," a prime root, and means: "to pronounce sentence against; avenge; condemn; and execute judgment." There is no pleading here, as judgment has already been pronounced and execution and victory will be immediate.

In Verses 9 to 11, the Lord invites his enemies from all nations to prepare and meet him at the designated location. The world federation of nations will know from the Word of God that Christ is coming back to set His Kingdom up for a 1,000 years. Satan is not going to allow this to happen. This is his world to rule, claiming to be the true God, as he will address the world when he takes over the Jewish Temple. Here is the record in 2 Thessalonians 2:4,

"Who opposeth and exalteth himself above all that is called God, or that is worshipped; so that he as God sitteth in the temple of God, shewing himself that he is God."

Now, notice in Joel 3:12, the word "judge." It is from the same Hebrew word, "shaphat," as the word "plead" in Joel 3:2. In other words, judgment has already been determined and their execution is forthcoming.

Verse 14 reveals that there will be many more from all over the world; in addition to the "kings of the east" in Revelation 16:12.

E. Revelation 14:14-20: At Armageddon, Death Is Instantaneous for Christ's Enemies.

"And I looked, and behold a white cloud, and upon the cloud one sat like unto the Son of man, having on his head a golden crown, and in his hand a sharp sickle. (V.14)

And another angel came out of the temple, crying with a loud voice to him that sat on the cloud, Thrust in thy sickle, and reap: for the time is come for thee to reap; for the harvest of the earth is ripe. (V.15)

And he that sat on the cloud thrust in his sickle on the earth; and the earth was reaped. (V.16)

And another angel came out of the temple which is in heaven, he also having a sharp sickle. (V.17)

And another angel came out from the altar, which had power over fire; and cried with a loud cry to him that had the sharp sickle, saying, Thrust in thy sharp sickle, and gather the clusters of the vine of the earth; for her grapes are fully ripe. (V.18)

And the angel thrust in his sickle into the earth, and gathered the vine of the earth, and cast it into the great winepress of the wrath of God. (v.19)

And the winepress was trodden without the city, and blood came out of the winepress, even unto the horse bridles, by the space of a thousand and six hundred furlongs." (Revelation 14:14-20)

This reveals the excitement of the heavenly angels who can hardly contain themselves until the wrath of Christ is rendered upon the ungodly. Verse 20 reveals that death is so immediate that their blood does not even have time to coagulate. Their blood will rise from the ground to the horses' bridles for a length of approximately 160 miles, or more. The distance is given at 1,600 furlongs. Five furlongs was considered a Sabbath-day's journey; about one-half a mile, or a little longer. Therefore, ten furlongs would equal one mile. 1,600 furlongs would equal approximately 160 miles, or a little more. It is a thrill to Christians to see in detail the future, pre-described, before it ever happens! It certainly fulfills what the Holy Spirit had Isaiah write in Chapter 42, Verses 8 and 9,

"I am the LORD: that is my name: and my glory will I not give to another, neither my praise to graven images. (V.8)

Behold, the former things are come to pass, and new things do I declare: before they spring forth I tell you of them." (Isaiah 42:8-9)

Here is a question that I have rarely been asked; but, nevertheless, I believe is a very good question. It is as follows. Since Christ kills these millions of men instantly and they just fall down dead, there would be no way the blood would get out of their bodies to cover the 160 miles to the depth of the horses' bridles. Good question, is it not? I believe Zechariah has the answer.

In studying the book of Zechariah, you will find it has myriads of future prophecies. In Chapters 12, 13, 14, there are many prophecies concerning the Tribulation Period and the things that take place therein; along with the Millennium. The answer lies in Zechariah 14:12,

"And this shall be the PLAGUE wherewith the Lord will smite all the people that have fought against Jerusalem; Their flesh shall consume away while they stand upon their feet, and their eyes shall consume away in their holes, and their tongue shall consume away in their mouth."

The word “PLAGUE” is the Hebrew “MAGGEPHAH,” and means “defeat by pestilence, a slaughter, a stroke, or hail, as described in Revelation 16:21. The Greek for “PLAGUE” has the same meaning as the Hebrew. Therefore, the type of defeat is usually described in the context.

At Armageddon, millions of men cover this great valley to defeat Christ; but, die in a moment of time! As their flesh falls from their bodies, blood from their arteries and veins will be emptied completely for the Earth to inherit. In other words, the Lord will have just slaughtered millions of His enemies by one stroke out of the breath of His mouth. Now, one may understand why the Holy Spirit inspired the writers to use a sword in illustrating the power of God’s Word.

“For the word of God is quick, and powerful, and sharper than any twoedged sword, piercing even to the dividing asunder of soul and spirit, and of the joints and marrow, and is a discerner of the thoughts and intents of the heart.” (Hebrews 4:12)

Hiroshima and Nagasaki, when the atomic bomb was dropped, may project a faint picture of what will take place at the Battle of Armageddon.

F. Revelation 19:19-21. Armageddon, the Beast, and the False Prophet

Revelation 19 also mentions Armageddon; along with the Beast (Antichrist), and the False Prophet.

“And I saw the beast, and the **KINGS OF THE EARTH**, and their armies, gathered together to make war against him that sat on the horse, and against his army. (V.19)

And the beast was taken, and with him the false prophet that wrought miracles before him, with which he deceived them that had received the mark of the beast, and them that worshipped his image. These both were cast alive into a lake of fire burning with brimstone. (V.20)

And the remnant were slain with the sword of him that sat upon the horse, which sword proceeded out of his mouth: and all the fowls were filled with their flesh.” (V.21)

Here we find that the Beast and the False Prophet, two of the Unholy Trinity, were not killed as those at Armageddon. They were cast **ALIVE** into the eternal Lake of Fire burning with brimstone.

1. Satan is chained for 1,000 literal years during Christ’s Millennial Kingdom.

“And I saw an angel come down from heaven, having the key of the bottomless pit and a great chain in his hand. (V.1)

And he laid hold on the dragon, that old serpent, which is the Devil, and Satan, and bound him a thousand years, (V.2)

And cast him into the bottomless pit, and shut him up, and set a seal upon him, that he should deceive the nations no more, till the thousand years should be fulfilled: and after that he must be loosed a little season." (Revelation 20:1-3)

II. CHRISTIANS IN HEAVEN DO HAVE KNOWLEDGE OF EARTHLY ACTIVITIES

A. Revelation 6:9-11.

"And when he had opened the fifth seal, I saw under the altar the souls of them that were slain for the word of God, and for the testimony which they held: (V.9)

And they cried with a loud voice, saying, How long, O Lord, holy and true, dost thou not judge and avenge our blood on them that dwell on the earth? (V.10)

And white robes were given unto every one of them; and it was said unto them, that they should rest yet for a little season, until their fellowservants also and their brethren, that should be killed as they were, should be fulfilled."

Here are a few things that stand out in these verses:

1. John SAW the souls of those who were killed during the first 3½ years of the Tribulation Period. The word "soul" is used many times to represent the whole person; body, soul, and spirit. This was their spiritual body, which could be seen in Heaven. They had a complete spiritual body, just as they had a complete earthly body.
2. They did not die a natural death, as they were killed for being a Christian. If they had not opposed the phony peace agenda of the Antichrist's federation of nations, they would probably not have been murdered. What people do not realize is that many people have heard about the Rapture, and have been witnessed to; but, did not respond. Then, after the Rapture which they have just witnessed and were left behind, they will realize that everything they had heard was true. Then, they will trust Christ as their Savior and begin warning and witnessing to others. The world government of the federation of nations will not tolerate this; so, it will cost them their lives. They were killed for their testimony.
3. They could talk and even cried with a LOUD voice. They had all the attributes in their spiritual bodies as they did in their earthly bodies; except the old sinful nature, which died with the body.
4. John saw them wearing white robes, which evidenced they were in Heaven because of the righteousness of Jesus Christ.

“For he hath made him to be sin for us, who knew no sin; that we might be made the righteousness of God in him.” (2 Corinthians 5:21)

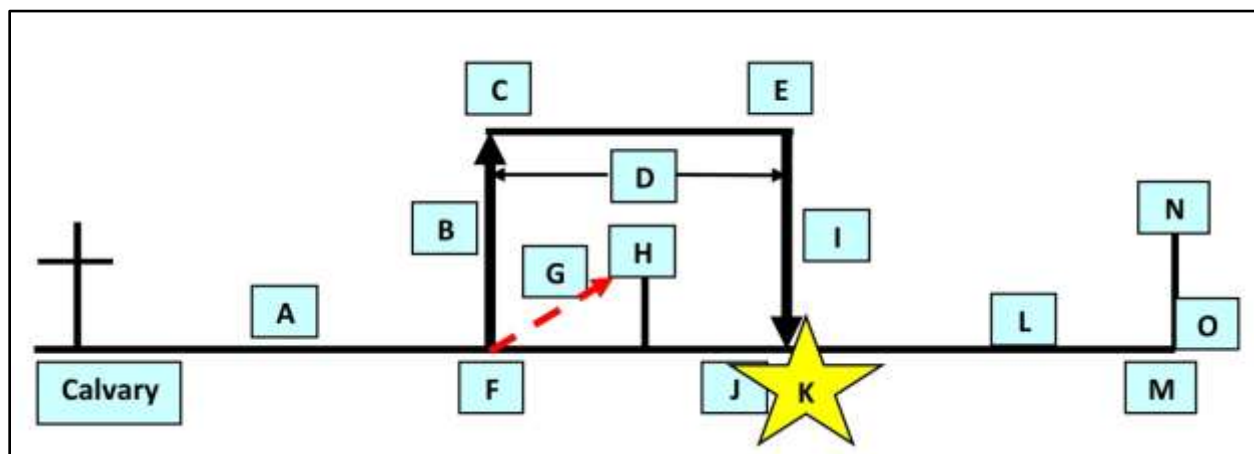
The Lord answers their request in Verse 11, “**that they should rest yet for a little season,**” and it is fulfilled in Revelation 20:4 as penned by the Apostle John, directed by the Holy Spirit.

“And I saw thrones, and they sat upon them, and judgment was given unto them: and I saw the souls of them that were beheaded for the witness of Jesus, and for the word of God, and which had not worshipped the beast, neither his image, neither had received his mark upon their foreheads, or in their hands; and they lived and reigned with Christ a thousand years.” (Revelation 20:4)

All the Tribulation Saints will be singing “Victory in Jesus,” those that sacrifice their lives and those that come out alive.

“I heard about a mansion
He has built for me in glory.
And I heard about the streets of gold
Beyond the crystal sea;
About the angels singing,
And the old redemption story,
And some sweet day I'll sing up there
The song of victory.
O victory in Jesus, My Savior, forever.
He sought me and bought me
With His redeeming blood;
He loved me ere I knew Him
And all my love is due Him,
He plunged me to victory,
Beneath the cleansing flood.”

By Eugene Bartlett (1939)



THE JUDGMENT OF THE NATIONS: STAR "K"

A. Matthew 24:38-44; Matthew 25:31-46.

The Judgment of the Nations occurs during the first 45 days of the Millennium. (For further details on this, please see "Section D, The Tribulation Period, III. The "Days" of Daniel 12:11,12, The Tribulation Shortened.")

Some think that Matthew 25:31-46 endorses good works for eternal life in Heaven. In other words, "If you do good towards your fellow man, will the Lord just let you on in."

B. The Passage In Question: Matthew 25:31-46.

"When the Son of man shall come in his glory, and all the holy angels with him, then shall he sit upon the throne of his glory: (V.31)

And before him shall be gathered all nations: and he shall separate them one from another, as a shepherd divideth his sheep from the goats: (V.32)

And he shall set the sheep on his right hand, but the goats on the left. (V.33)

Then shall the King say unto them on his right hand, Come, ye blessed of my Father, inherit the kingdom prepared for you from the foundation of the world: (V.34)

For I was an hungred, and ye gave me meat: I was thirsty, and ye gave me drink: I was a stranger, and ye took me in: (V.35)

Naked, and ye clothed me: I was sick, and ye visited me: I was in prison, and ye came unto me. (V.36)

Then shall the righteous answer him, saying, Lord, when saw we thee an hungred, and fed thee? or thirsty, and gave thee drink? (V.37)

When saw we thee a stranger, and took thee in? or naked, and clothed thee? (V.38)

Or when saw we thee sick, or in prison, and came unto thee? (V.39)

And the King shall answer and say unto them, Verily I say unto you, Inasmuch as ye have done it unto one of the least of these my BRETHREN, ye have done it unto me. (V.40)

Then shall he say also unto them on the left hand, Depart from me, ye cursed, into everlasting fire, prepared for the devil and his angels: (41) For I was an hungred, and ye gave me no meat: I was thirsty, and ye gave me no drink: (V.42)

I was a stranger, and ye took me not in: naked, and ye clothed me not: sick, and in prison, and ye visited me not. (V.43)

Then shall they also answer him, saying, Lord, when saw we thee an hungred, or athirst, or a stranger, or naked, or sick, or in prison, and did not minister unto thee? (V.44)

Then shall he answer them, saying, Verily I say unto you, Inasmuch as ye did it not to one of the least of these, ye did it not to me. (V.45)

And these shall go away into everlasting punishment: but the righteous into life eternal." (Matthew 25:31-46)

C. The Doctrinal Truth of Matthew 25:31-46.

Does Matthew 25:31-46 endorse good works for eternal life in Heaven, as many try to teach? First, it should be noted that no one has ever been saved by their good works.

"For by grace are ye saved through faith; and that not of yourselves: it is the gift of God: (8) Not of works, lest any man should boast." (Ephesians 2:8-9)

If anyone could go to Heaven on their own good works, then Christ would not have had to pay for the sins of all humanity on the Cross. In the verses quoted below, you have the same kind of people from the beginning of Creation as you have today; the saved and the lost. The sinner who believes God's Word.

"For all have sinned, and come short of the glory of God;" (Romans 3:23)

"For what saith the scripture? Abraham believed God, and it was counted unto him for righteousness. (3)

Now to him that worketh is the reward not reckoned of grace, but of debt. (4)

But to him that worketh not, but believeth on him that justifieth the ungodly, his faith is counted for righteousness." (Romans 4:3-5)

Then you have the sinner who, through his pride and self-righteousness, rejects Christ as his Savior.

"And the Pharisees also, who were covetous, heard all these things: and they derided him. (14)

And he said unto them, Ye are they which justify yourselves before men; but God knoweth your hearts: for that which is highly esteemed among men is abomination in the sight of God." (Luke 16:14-15)

"And he spake this parable unto certain which trusted in themselves that they were righteous, and despised others:" - Luke 18:9

"The Pharisee stood and prayed thus with himself, God, I thank thee, that I am not as other men are, extortioners, unjust, adulterers, or even as this publican." (Luke 18:11)

The key to these verses in Matthew 25 is the word "**BRETHREN**" in Verse 40. The brethren are those believers in Christ who are spiritually related to Christ by their faith. In John we are told:

"But as many as received him, to them gave he power to become the sons of God, even to them that believe on his name:" (John 1:12)

By our faith in Christ as our Savior, we are spiritually related to Him as a son; or, sometimes referred to as "brethren." This is clearly brought out by Hebrews 2:9,11:

"But we see Jesus, who was made a little lower than the angels for the suffering of death, crowned with glory and honour; that he by the grace of God should taste death for every man." (9)

"For both he that sanctifieth and they who are sanctified are all of one: for which cause HE IS NOT ASHAMED TO CALL THEM BRETHREN," (11)

In Matthew 12:46-50 we have the contrast between the physical brethren and the spiritual brethren:

"While he yet talked to the people, behold, his mother and his brethren stood without, desiring to speak with him. (46) Then one said unto him, Behold, thy mother and thy brethren stand without, desiring to speak with thee. (47)

But he answered and said unto him that told him, Who is my mother? and who are my brethren? (48)

And he stretched forth his hand toward his disciples, and said, Behold my mother and my brethren! (49)

For whosoever shall do the will of my Father which is in heaven, the same is my brother, and sister, and mother." (Matthew 12:46-50)

Notice in Verse 50. What is doing the will of the Father? It cannot be good works, as works do not make you a biological relative to another who does good works, any more than standing inside a garage makes you a car! This is speaking of a spiritual relationship of yourself to another, as a man, woman, mother or brother, who also believes in Christ as their Savior. So, let us see what the will of the Father is, according to the Word of God in John 6:39, 40,

"And this is the Father's will_which hath sent me, that of all which he hath given me I should lose nothing, but should raise it up again at the last day. (39)

And this is the will of him that sent me, that every one which seeth the Son, and believeth on him, may have everlasting life: and I will raise him up at the last day."(40).

One can easily see that the will of God is for a person to believe in Jesus Christ as their Savior.

"He that BELIEVETH on the Son hath everlasting life: and he that believeth not the Son shall not see life; but the wrath of God abideth on him." (John 3:36)

In Matthew 7:21-23, we find some using God and His Word as a counterfeit of Christianity, projecting to and deceiving the people by their hypocrisy and self-righteousness. Their end was eternal damnation for trusting good works for self-glory.

"Not every one that saith unto me, Lord, Lord, shall enter into the kingdom of heaven; but he that doeth the will of my Father which is in heaven. (V. 21)

Many will say to me in that day, Lord, Lord, have we not prophesied in thy name? and in thy name have cast out devils? and in thy name done many wonderful works? (V. 22)

And then will I profess unto them, I never knew you: depart from me, ye that work iniquity." (V.23)

NOW THE SAVED, with this preamble, let us go back to Matthew 25, Verses 31-40.

"When the Son of man shall come in his glory, and all the holy angels with him, then shall he sit upon the throne of his glory: (31)

And before him shall be gathered all nations: and he shall separate them one from another, as a shepherd divideth his sheep from the goats: (32)

And he shall set the sheep on his right hand, but the goats on the left. (33)

Then shall the King say unto them on his right hand, Come, ye blessed of my Father, inherit the kingdom prepared for you from the foundation of the world: (34)

For I was an hungred, and ye gave me meat: I was thirsty, and ye gave me drink: I was a stranger, and ye took me in: (35)

Naked, and ye clothed me: I was sick, and ye visited me: I was in prison, and ye came unto me. (36)

Then shall the righteous answer him, saying, Lord, when saw we thee an hungred, and fed thee? or thirsty, and gave thee drink? (37)

When saw we thee a stranger, and took thee in? or naked, and clothed thee? (38)

Or when saw we thee sick, or in prison, and came unto thee? (39)

And the King shall answer and say unto them, Verily I say unto you, Inasmuch as ye have done it unto one of the least of these my BRETHREN, ye have done it unto me. (Matthew 25:31-40)

These were the saved, helping their Christian **BRETHREN** that had a need. They were not trusting their good works; but, doing so because of their love for Jesus Christ who loved them and paid for their sins on Calvary. Christ would never have greeted them with these words from Verse 34, if they had been trusting their good works for salvation.

“Then shall the King say unto them on his right hand, Come, ye blessed of my Father, inherit the kingdom prepared for you from the foundation of the world:” (Matthew 25:34)

NOW THE LOST, as described in Verses 41-46...

Then shall he say also unto them on the left hand, Depart from me, ye cursed, into everlasting fire, prepared for the devil and his angels: (41)

For I was an hungred, and ye gave me no meat: I was thirsty, and ye gave me no drink: (42)

I was a stranger, and ye took me not in: naked, and ye clothed me not: sick, and in prison, and ye visited me not. (43)

Then shall they also answer him, saying, Lord, when saw we thee an hungred, or athirst, or a stranger, or naked, or sick, or in prison, and did not minister unto thee? (44)

Then shall he answer them, saying, Verily I say unto you, Inasmuch as ye did it not to one of the least of these, ye did it not to me. (45)

And these shall go away into everlasting punishment: but the righteous into life eternal.” (Matthew 25:41-46)

These were the lost, who had no concern for Christ or anyone else who was a Christian. When a person is full of self, there is no room for Christ to be involved. One thing that Christ CANNOT do, and that is send a believer to Hell. They have to choose to go there, even though their sin payment is paid in full! These were the unsaved who did not believe John 5:24.

"Verily, verily, I say unto you, He that heareth my word, and BELIEVETH on him that sent me, hath everlasting life, and SHALL NOT COME INTO CONDEMNATION; but is passed from death unto life."

One must remember that Christ sees inside of a person's mind and thoughts, although we cannot. Christ is...

"...a discerner of the thoughts and intents of the heart. (12) Neither is there any creature that is not manifest in his sight: but all things are naked and opened unto the eyes of him (Christ) with whom we have to do." (Hebrews 4:12-13)

Ezekiel 11:5 proclaims the same omniscience of God concerning Israel...

"...for I know the things that come into your mind, every one of them."

Christ knew their wicked hearts, which were evidenced by their outward disregard for the Christians who were the children of God, bought with the sacrifice Christ paid on the Cross. Christ, the Righteous Judge, renders their just verdict:

"...and these shall go away into everlasting punishment." (V. 46a)

Christ also knew the hearts of the saved; which evidenced their faith, and which Christ described in Verses 34-36, 40.

"Then shall the King say unto them on his right hand, Come, ye blessed of my Father, inherit the kingdom prepared for you from the foundation of the world: (V.34)

For I was an hungred, and ye gave me meat: I was thirsty, and ye gave me drink: I was a stranger, and ye took me in: (V.35)

Naked, and ye clothed me: I was sick, and ye visited me: I was in prison, and ye came unto me. (V.36)

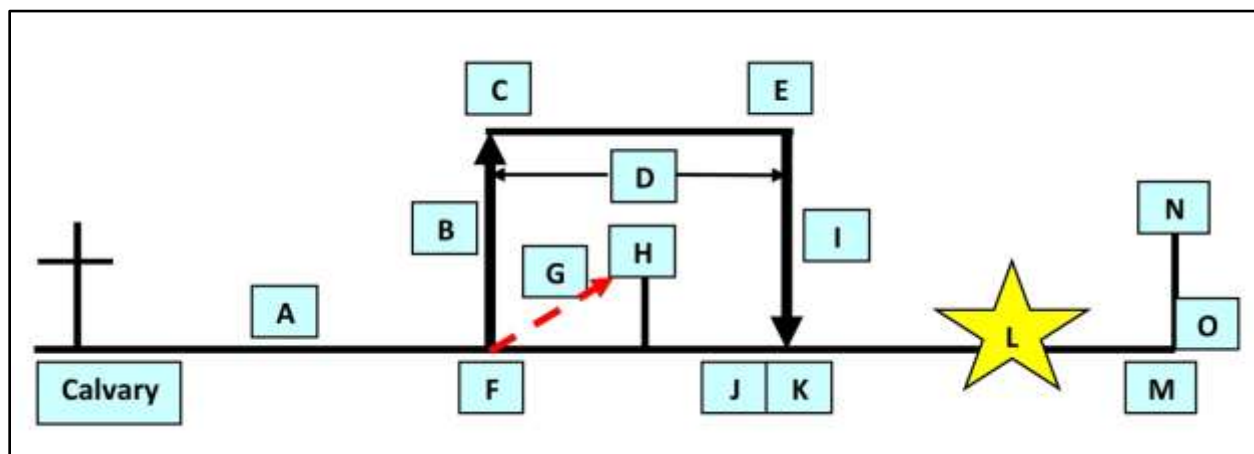
And the King shall answer and say unto them, Verily I say unto you, Inasmuch as ye have done it unto one of the least of these my BRETHREN, ye have done it unto me." (Matthew 25:34-36,40)

Always remember, salvation is a free gift.

"For by grace are ye saved through faith; and that not of yourselves: it is the gift of God: (8) Not of works, lest any man should boast." (Ephesians 2:8-9)

"Knowing that a man is not justified by the works of the law, but by the faith of Jesus Christ, even we have BELIEVED in Jesus Christ, that we might be justified by the faith of Christ, and not by the works of the law: for by the works of the law shall no flesh be justified." (Galatians 2:16)

"But to him that worketh not, but BELIEVETH on him that justifieth the ungodly, his faith is counted for righteousness." (Romans 4:5)



KINGDOM REIGN OF CHRIST ON EARTH: STAR "L"

A. Events of The First 45 Days.

1. Chaining of Satan. Satan will be chained at the bottomless pit for 1,000 years.

"And I saw an angel come down from heaven, having the key of the bottomless pit and a great chain in his hand. (1)

And he laid hold on the dragon, that old serpent, which is the Devil, and Satan, and bound him a thousand years," (Revelation 20:1-2)

2. Judgment of Nations (Matthew 24:30, 40, 41; Matthew 25:31-34, 41; 2 Timothy 4:1).
3. Battle of Armageddon (Revelation 14:14-20; Revelation 16:10-16; Joel 3:1-4, 9-16).
4. Resurrected Bodies (Daniel 12:2; John 6:39, 40; Revelation 20:4, 6).
5. Feast of Trumpets (Re-gather Israel). Israel Was to Sound the Trumpets: Leviticus 23:23-25).
6. Feast of Atonement—Israel's sins forgiven (Romans 11:26, 27; Leviticus 23:27).
7. Feast of Tabernacles (Booths) The Millennium (Leviticus 23:33-44; Zech. 14:16-19).

Note: For a complete exposition on these 45 days, please see Section D, VIII. "The days of the Tribulation will be Shortened. (Daniel 12:11, 12)", on Page 175.

B. Israel's Promised Land Will Be Restored In the Millennium, All of It!

1. Genesis 17:7, 8. The Title Deed to the Land of Israel.

The problem of the Israeli-Arab conflict has consumed more time in the United Nations and the Security Council than almost any other issue. Who owns the land of Palestine? The Jews or the Arabs? Both "brothers" claim title to the land by virtue of being the sons of Abraham; but, having different mothers. They are: Isaac, (father of the nation of Israel) and Ishmael

(father of the Arab nations).

God has given the land to Abraham and his seed. We have the record in Genesis 17:7, 8,

And I will establish my covenant between me and thee (Abraham) and THY SEED after thee in their generations for an EVERLASTING COVENANT...And I will give unto thee, and to THY SEED after thee, the LAND wherein thou art a stranger, ALL THE LAND OF CANAAN, for an EVERLASTING possession, and I will be their God."

2. Genesis 15:18-21 Marks the Boundaries.

In Genesis 15:18-21, God gives the exact boundaries of this land now called Israel.

In the same day the Lord made a covenant with Abram, saying, Unto thy seed have I given this land, from the river of Egypt (the Nile) unto the great river, the river Euphrates: (V.18)

The Kenites, and the Kenizzites, and the Kadmonites, (V.19)

And the Hittites, and the Perizzites, and the Rephaims, (V.20)

And the Amorites, and the Canaanites, and the Girgashites, and the Jebusites. (V.21)

The Promised Land extended from the river of Egypt, northward, for hundreds of miles to the River Euphrates. The Hebrew word "river" is used three times in Verse 18. In all three cases it is the Hebrew word "nahar" and means "'river; stream; canal; current." --The word appears about 120 times in biblical Hebrew and in all periods. First, this word usually refers to permanent natural watercourses. (Vine's Expository Dictionary of Old Testament and New Testament Words.) The fact that these rivers are given in the Hebrew as a "permanent natural watercourse" defeats those who, even in the Millennium want to take land from Israel by saying that the "river of Egypt" is the "wadi of Egypt," (Hebrew "nahal") meaning "a dry valley in which water runs only during the rainy season." (Ibid.) Thus making the southern border of the Promised Land extend only a few miles south of today's Gaza Strip.

It was bordered on the west by the Mediterranean Sea. It included most of the Sinai Peninsula, the Middle East, Edom, Transjordan, Syria, and generally the areas occupied by the Arabian nations. The entire area covered approximately 255,000 square miles. Israel today occupies only a portion of this land.

There was no problem until Israel moved back into the land, after being recognized by the United Nations as a sovereign state in May 14, 1948. There has been trouble and fighting ever since.

3. Genesis 17:8. The Land Is An Everlasting Possession of Israel; Not the Arabs.

A long list of prophetic predictions concerning Israel began a little over 4,000 years ago, when God told Abraham in Genesis 17:8,

"And I will give unto thee (Abraham), and to THY SEED after thee...all the land of Canaan (Palestine) for an EVERLASTING possession, and I will be their God." (Genesis 17:8)

God's covenant was with Abraham and **"thy seed;"** but, which of **"thy children"**? Ishmael was the first-born in the family of Abraham. Upon the suggestion of Sarah (Genesis 16:1,2), Ishmael was born of an Egyptian slave woman, named Hagar. It was the custom that the first-born would be the heir to Abraham. After Ishmael was born, God told Abraham that Sarah was going to have a son and Abraham strongly objected and cried out in Genesis 17:18,

"...O that Ishmael might live before thee."

Ishmael, the father of the Arab nations, was Abraham's choice, but not God's. God's choice is now revealed unto Abraham in Genesis 17:21,

"But my covenant will I establish WITH ISAAC, which Sarah shall bare unto thee at this set time in the next year."

God's word is clear and unmistakable that Ishmael has NO CLAIM to the promised land. For 13 years, or so, Ishmael was Abraham's only son and there was no trouble UNTIL Isaac came along. Then the warfare began. We have the record in Genesis 21:9,10,

"And Sarah saw the son of Hagar the Egyptian (Ishmael), ...mocking (Isaac). Wherefore she (Sarah) said unto Abraham, CAST OUT this bondswoman and her son: for the son (Ishmael)...shall NOT BE HEIR with my son, even with Isaac."

The matter had come to a head, and Sarah demands Ishmael to be expelled from Abraham's tent. In Genesis 21:11 we have Abraham's reaction,

"And the thing (Sarah's demand) was VERY grievous in Abraham's sight because of his son."

In Verse 12 God again instructs Abraham concerning who is to be heir of the land,

"...in all that Sarah hath said unto thee, harken unto her voice; FOR IN ISAAC SHALL THY SEED BE CALLED."

As it was then, so it is now. God gave all the land of Israel, some 255,000 square miles, only to the nation of Israel (the **"seed of Isaac"**). The Arabs (the **"seed of Ishmael"**) have no claim to the land whatsoever. As long as both are in the land, there will be no peace, only war.

Let us recapitulate: In Genesis 17:7,8, God had given all the land of Canaan to Abraham and his seed. (Hebrews 11:9). In Genesis 21:12, we find "the seed" would be Isaac (Israel), and not Ishmael (Arabs). Genesis 15:18-21 gives the boundaries of the land, encompassing approximately 255,000 square miles.

In the process of time, Israel had been in bondage to the Egyptian nation for 430 years. (Exodus 12:40). It was Moses who led them out of Egypt and Joshua who took them into the

promised land of Canaan. God's warning and instructions to Israel are recorded in Leviticus 26 and Deuteronomy 28.

4. Blessings and Cursings.

In Deuteronomy 28:1-14, God promises these blessings if they will obey the Lord. Beginning with Verse 15 to 68, God gives the curses they will bring on themselves, should they disobey the Lord. In Deuteronomy 28:15 we read,

"But it shall come to pass if thou wilt not harken unto the voice of the Lord thy God; to observe to do all his commandments and his statutes which I command thee this day; then ALL THESE CURSES SHALL COME UPON THEE, and overtake thee."

Notice in Verses 64, 65,

"And the Lord shall scatter thee among all people, from one end of the earth even unto the other...And among these nations shalt thou find no ease, neither shall the sole of thy foot have rest: but the Lord shall give thee there a trembling heart, and failing of eyes, and sorrow of mind: And thy life shall hang in doubt before thee."

5. Disobedience Brought Judgment and Captivity (Jeremiah 25:11; 29:10).

After living in the promised land for over 800 years, God brought judgment upon them because of their sins. In 721 B.C., Assyria took captive the 10 northern tribes, known as Israel. In 606 B.C., the Babylonians, under Nebuchadnezzar invaded the two southern tribes, Judah and Benjamin, taking them captive.

God told Jeremiah to tell the people that the captivity would last 70 years. Jeremiah 25:11 is the record,

"And this whole land shall be a desolation, and an astonishment; and these nations shall serve the king of Babylon seventy (70) years."

In Jeremiah 29:10, God says He will cause them to return to their land after the captivity. There were only about 50,000 Jews that returned. (Ezra, Chapter 2). Ezra records the rebuilding of the Temple and Nehemiah records the rebuilding of the walls and city of Jerusalem. Most of the Jewish people remained scattered throughout the world under the Persian, Grecian, and Roman Empires.

Then in 70 A.D., Titus, the Roman general, finally destroyed Jerusalem and the remnant dispersed among the nations of the world. Thus, literally fulfilling Moses' prophecy in Deuteronomy 28.

6. The Modern Day "Give-Away!"

The Jewish people today occupy less than 5% of the land God gave to Israel. A review of History of the 20th Century will explain the conflict now taking place.

One of the greatest factors in Israel's return was the Balfour Declaration of November 2, 1917. Toward the end of World War I, when the Allies were fighting with their backs to the wall, victory for Germany seemed inevitable. Then a Jewish chemist, named Chaim Weizman, a British subject, offered to his homeland a newly discovered explosive, TNT, the most powerful known to man at this time. It is believed that this turned the tide of the war, resulting in Germany's defeat.

Partly in return for this favor, Lord Balfour proposed that in the event of victory, the land of Palestine be set aside and declared a homeland for Israel. After the war, the Balfour Declaration was signed on November 2, 1917, largely through the influence and suggestion of Chaim Weizman. He later became the first president of the Republic of Israel, from 1921 to 1929. (Encyclopedia Americana, Volume 29).

This declaration greatly increased the tempo of Jewish people immigrating to Palestine. At the conclusion of Britain's Mandate over Palestine, in 1948, Israel was recognized by the United Nations as a sovereign state; but, A BIG MISTAKE was made. It was the dividing of the land of Palestine. The Balfour Declaration had not carried out the full purpose of its original drafters. Instead of giving the land of Palestine as a homeland for Israel, they were only given a PART of the land.

For political reasons, or fear of war between Israel and the Arabs, it was proposed to divide the land between the two. A line was drawn through Palestine, bisecting Jerusalem, giving part to the Arabs and part to Israel. It was hoped this would pacify both sides. The opposite occurred and has resulted in continual fighting and wars. This has become the "trigger spot" of the world, even to this present time.

It is the "trouble in Abraham's tent" all over again. Ishmael (the Arabs) and Isaac (the Jews) cannot share the same premises that God gave ONLY to Israel. Putting up a "fence" through the middle of Abraham's tent could not solve the problem of keeping Isaac (Israel) on one side and Ishmael (the Arabs) on the other.

There will never be peace while the Arabs occupy land that God mandated only to Israel. Israel is in the land, today, under a false peace and facing future destruction.

They will be driven out of the land once again and persecuted by the one-world ruler, the Antichrist. Israel in the land today is not the complete fulfillment of any of the Old Testament prophecies concerning Israel. The complete fulfillment of all the hundreds of promises made to Israel will not be accomplished until the Prince of Peace, the Lord Jesus Christ, returns to the Earth and establishes His Kingdom for a thousand years. Then—and only then—will Israel inherit all the land God had promised to them, some 255,000 square miles of real estate. Only then will there be perfect peace throughout the world.

7. The Tribulation Period Precedes the Kingdom Reign of Christ.

To understand what is prophesied concerning Israel's future, it is important to know the next prophetic event which will shock the entire world. That event is described as the Rapture, when Jesus Christ comes in the clouds and every Christian is gone from the Earth, **“in a moment, in the twinkling of an eye.”** (1 Corinthians 15:50-52). 1 Thessalonians 4:16,17 describes the event,

“For the Lord himself shall descend from heaven with a shout, with the voice of the archangel, and with the Trump of God: and the dead in Christ shall rise first: Then we which are ALIVE and remain shall be caught up together with them in the CLOUDS to meet the Lord IN THE AIR: and so shall we ever be with the Lord.”

As we have said, at this point, the world will be in a condition of mass chaos. This event opens the door for the one-world leader (the Antichrist) and the one-world church which God calls, **The great mother of Harlots, and abominations of the earth.**” (Revelation 17:5). The Antichrist makes a covenant with Israel; but, after three and a half years breaks the covenant (Daniel 9:27); and then seeks to exterminate every Jew. Hitler will seem like a “Sunday school teacher” (although he slaughtered six million Jews) as compared to the Antichrist.

Matthew, Chapter 24, describes this same period of time, known as The 7-Year Tribulation Period. There has never been anything happen on this Earth like what is yet to come. Christ, Himself, states in Verse 21,

“For then shall be great tribulation, such as was not since the beginning of the world to this time, no, nor ever shall be. ...And except those days should be shortened, there shall no flesh be saved: but for the elects sake (i.e., the Jews that have received Christ as their Messiah during that time.), those days shall be shortened.”

In Israel, alone, only one-third of the Jewish people will survive. Zechariah 13:8,9,

“And it shall come to pass that in all the land, saith the LORD, two (2) parts therein shall be cut off and DIE; but the third part shall be left therein. (V.8)

And I will bring the third part through the fire, and will refine them as silver is refined, and will try them as gold is tried: they shall call on my name, and I will hear them: I will say, It *is* my people: and they shall say, The Lord *is* my God. (V.9)

C. The Millennial Reign of Christ Is Israel's Restoration After the Tribulation.

Immediately following the Rapture begins the 7-Year Tribulation upon the Earth. This includes Jews and Gentiles. Isaiah, prophesied of Israel that only one out of 10 Jews will survive in the world outside of Israel. (Isaiah 6:11,13)

"Then said I (Isaiah), Lord how long? And he answered, Until the cities be wasted without inhabitant, and the houses without man, and the land be utterly desolate...(V.11)

But yet in it, shall be a tenth, and it shall return (to Palestine) and shall be eaten; as a teil tree, and as an oak, whose substance is in them, when they cast their leaves, so the holy seed (Jews that are saved) shall be the substance thereof." (Isaiah 6:11,13)

Little did the Jews know what the consequences would be, when they told Pilate (referring to Christ), **"His blood be on us and on our children."** (Matthew 27:24,25) And so it has been—for over 2,000 years. The great Diaspora began when Titus, the Roman general, besieged Jerusalem and the Jews were scattered throughout the world. The great historian, Josephus, tells us that over 1,000,000 Jews were killed in this siege alone.

Then, is there any hope for Israel in the future. The answer is most definitely, "Yes"! After the 7 years of tribulation on the Earth, Christ returns to establish His kingdom and fulfill His promises to Israel. Ezekiel speaks of this in Chapter 36:24,26-28.

"For I will take you from among the heathen, and gather you out of all countries, and will bring you into your own land... (V.24) A new heart also will I give you; and a new spirit will I put within you:... (V.26) and cause you to walk in my statutes, and ye shall keep my judgments and do them... (V.27) And ye shall dwell in the land (Palestine, approximately 255,000 square miles, that I gave to your fathers; fulfilling Genesis 15:18-21 & 17:7 ,8)."

When Christ returns to establish His kingdom, then and only then, will Israel inherit ALL of her land, along with the peace, protection and prosperity that God has promised her.

1. Israel Will Never Be Scattered Again. (Amos 9:15).

And I will plant them upon their land, and they shall no more be plucked up out of their land, which I have given them, saith the Lord thy God."

The "Land Grant" which God promised Abraham, Isaac, and Jacob will be given them, as God had promised. (Genesis 13:14-17;17:7,8)

The measurements given in Genesis 15:18-21 amount to over 255,000 square miles.

"From the wilderness and this Lebanon even unto the great river, the river Euphrates, all the land of the Hittites, and unto the great sea toward the going down of the sun, shall be your coast." (Joshua 1:4)

The Jews now only have about 4 or 5% of it. A small strip of land from the Jordan River to the Mediterranean Sea, and from Dan, north of the Sea of Galilee to Beer-sheba, south to the end of the Dead Sea, and between the Mediterranean Sea. 10,000 square miles. Even though they keep sacrificing "land for peace," one day they will have the whole thing.

2. The Land Will Be Blessed For Israel. (Isaiah 35:1)

“The wilderness and the solitary place shall be glad for them (Israel); and the desert shall rejoice, and blossom as the rose.”

Ezekiel 36:34, 35 also describes this blessing,

“And the desolate land shall be tilled...And they shall say, This land that was desolate is become like the garden of Eden; and the waste and desolate and ruined cities, are become fences, and are inhabited.”

All of Earth's resources will be available for enjoyment. All industry will be manufacturing articles of a peaceable luxury, and, no doubt, no unemployment! No hospitals, doctors or nurses. All medicines will be worthless & uncalled for. There will be no poverty and children will never get sick. Violence & crime will be unknown. No waste lands--the desert shall blossom again. No storms, hurricanes, tornadoes, etc. (No crop failures or the natural disaster of floods. Wild animals will be tame and harmless.

3. Peace At Last, Not Only For Israel, But For the Whole World. (Micah 4:3)

The prophet Micah 4:3 tells us,

“And he (Christ) shall judge among many people, and rebuke strong nations afar off; and they shall beat their swords into plowshares, and their spears into pruninghooks: nation shall not lift up a sword against nation, neither shall they learn war any more.”

No more war and no more need for armament plants; no soldier, sailor, marine in uniform; all nations will be at perfect peace with each other. There will be no military plants; and, not one penny spent for defense!

4. No More Sickness or Disease. (Isaiah 35:5,6; 60:22; Psalm 127:3-5)

There will be no need for emergency wards, hospitals, doctors, etc.(Isaiah 35:5,6a)

“Then (i.e. during the millennial reign of Christ on this earth), the eyes of the blind shall be opened, and the ears of the deaf shall be unstopped (V.5)

Then shall the lame man leap as an hart, and the tongue of the dumb sing;...”

“Dumb” does not mean illiterate, only that one is unable to talk. Isaiah 60:22 lets us know there will be no birth defects or complications in giving birth. This will fulfill Psalm 127:3-5. The blind will see, deaf will hear, lame will walk, and those that could not talk will sing. (Isaiah 35:5,6)

5. No Ferocious Animals To Attack Man (Isaiah 11:6; Romans 8:19-22).

During the 7 years of the Tribulation, just prior to the Millennium, one-fourth of the population will die from the sword, hunger, wild beasts, etc. (Revelation 6:8) But, during the Millennium, there will be no ferocious animals to attack mankind. Isaiah 11:6 tells us that,

"The wolf also shall dwell with the lamb, and the leopard shall lie down with the kid; and the calf and the young lion and the fatling together; and a little child shall lead them...and the cow and the bear shall feed; their young ones shall lie down together."

6. There Will Be No Need to Steal, People Will Have All They Need.

There will be no need for stealing; as everyone will be taught the Lord's ways; and He will rule from Jerusalem. They shall sit under their own vine and fig tree; meaning they will have their portion of the Land Grant promised to Israel by God. They can plant, and build without fear, for **"he (the Lord) shall break in pieces the oppressor."** (Psalm 72:4b) **"Righteousness shall flourish."** (Psalm 72:7a)

They shall not hurt nor destroy in all my holy mountain: for the earth shall be full of the knowledge of the Lord, as the waters cover the sea." (Isaiah 11:6-9)

And many nations shall come, and say, Come, and let us go up to the mountain of the Lord, and to the house of the God of Jacob; and he will teach us of his ways, and we will walk in his paths: for the law shall go forth of Zion, and the word of the Lord from Jerusalem. Micah 4:2

"And they shall build houses, and inhabit *them*; and they shall plant vineyards, and eat the fruit of them. (V.21)

They shall not build, and another inhabit; they shall not plant, and another eat: for as the days of a tree *are* the days of my people, and mine elect shall long enjoy the work of their hands." (Isaiah 65:21-22)

This is a great promise for the Jews, and Gentiles, to look forward to, considering the poverty conditions many exist in today.

7. The Lord Will Be King Over All The Earth (Zechariah 14:9; Jeremiah 23:5,6).

"And the Lord shall be king over all the earth: in that day shall there be one Lord, and his name one." (Zechariah 14:9)

"Behold, the days come, saith the Lord, that I will raise unto David a righteous Branch, and a King shall reign and prosper, and shall execute judgment and justice in the earth. (5)

In his days Judah shall be saved, and Israel shall dwell safely: and this is his name whereby he shall be called, THE Lord OUR RIGHTEOUSNESS (Jehovah Tsidkenu). (Jeremiah 23:5-6)

8. The Desert Shall Blossom As a Rose....(Isaiah 35:1,2).

"The wilderness and the solitary place shall be glad for them; and the desert shall rejoice, and blossom as the rose. (V.1)

It shall blossom abundantly, and rejoice even with joy and singing: the glory of Lebanon shall be given unto it, the excellency of Carmel and Sharon, they shall see the glory of the Lord, *and* the excellency of our God." (V.2)

9. There Will Be a Highway to Jerusalem To Worship.

"And an highway shall be there, and a way, and it shall be called The way of holiness; the unclean shall not pass over it; but it *shall be* for those: the wayfaring men, though fools, shall not err *therein*. (V.8)

No lion shall be there, nor *any* ravenous beast shall go up thereon, it shall not be found there; but the redeemed shall walk *there*: (V.9)

And the ransomed of the Lord shall return, and come to Zion with songs and everlasting joy upon their heads: they shall obtain joy and gladness, and sorrow and sighing shall flee away." (Isaiah 35:8-10)

There is now no need to fear the ferocious beasts of the Tribulation. Those that come out of the Tribulation alive remember the wild beasts killing people (Revelation 6:8). They remember.

10. An Abundance of Harvest, Times Are Good!

There will be an abundance of harvest. (Amos 9:13,14) Abundant rainfall at the right time. (Isaiah 35:7) Food and cattle will be in good supply. (Isaiah 30:23,24)

"Then shall he give the rain of thy seed, that thou shalt sow the ground withal; and bread of the increase of the earth, and it shall be fat and plenteous: in that day shall thy cattle feed in large pastures. (V.23)

The oxen likewise and the young asses that ear the ground shall eat clean provender, which hath been winnowed with the shovel and with the fan." (Isaiah 30:23-24)

11. A Change In the Atmosphere And the Solar Spectrum.

"The sun shall be no more thy light by day; neither for brightness shall the moon give light unto thee: but the Lord shall be unto thee an everlasting light, and thy God thy glory. (V.19)

Thy sun shall no more go down; neither shall thy moon withdraw itself: for the Lord shall be thine everlasting light, and the days of thy mourning shall be ended." (Isaiah 60:19-20)

12. Geological Changes.

Zechariah 14:10,11. Many geological changes will take place. (Zechariah 14:4) The Mount of Olives is just one of the myriads of changes involved in the entire land of Israel. Verse 10 will encompass all the topographical changes to elevate Jerusalem above the surrounding territory, to suit the Millennial conditions. This will accommodate the new Millennial Temple of Ezekiel, which would not fit Israel in its present form.

"All the land shall be turned as a plain from Geba to Rimmon south of Jerusalem: and it shall be lifted up, and inhabited in her place, from Benjamin's gate unto the place of the first gate, unto the corner gate, and *from* the tower of Hananeel unto the king's winepresses. "
(Zechariah 14:10)

"Geba" is the North border of Judah in Benjamin. "Rimmon" is the South border of Judah in Simian. All the mountainous country now around Jerusalem would keep the waters from flowing from Jerusalem to the Dead Sea. This will all change. Ezekiel 47:1-12 describes an eastward flow into the Dead Sea. Verse 11 speaks of salt pits. Many Arabs use them today for their flocks and personal use.

13. Topographical Changes.

The Dead Sea will become alive again. A river, over a mile wide, will flow out of the sanctuary (Ezekiel 47:8,9). Jerusalem will be exalted and the mountains and hills will be made low. (Isaiah 2:1-3 same as Micah 4:1,2, and Isaiah 40:4,5).

The Dead Sea will be healed. Zechariah, along with Ezekiel give the details as to how this will take place.

- a. Jerusalem will be lifted up, and the surrounding area will become a plain.

"All the land shall be turned as a plain from Geba to Rimmon south of Jerusalem: and it shall be lifted up, and inhabited in her place, from Benjamin's gate unto the place of the first gate, unto the corner gate, and *from* the tower of Hananeel unto the king's winepresses."
(Zechariah 14:10)

- b. Water comes out from under the Temple as described in Zechariah 14:8,

"And it shall be in that day, *that* living waters shall go out from Jerusalem; half of them toward the former sea, and half of them toward the hinder sea: in summer and in winter shall it be."

This fountain of living water is then divided into two rivers. One river goes down to the "former sea," which is the eastern, i.e., the Dead Sea. The other, which is the western, flows toward the "hinder sea," that being the Mediterranean Sea. The water going towards the Dead Sea starts small and progresses to a large river, as described in Ezekiel 47:1-5.

"Afterward he brought me again unto the door of the house; and, behold, waters issued out from under the threshold of the house eastward: for the forefront of the house *stood toward* the east, and the waters came down from under from the right side of the house, at the south *side* of the altar. (V.1)

Then brought he me out of the way of the gate northward, and led me about the way without unto the utter gate by the way that looketh eastward; and, behold, there ran out waters on the right side. (V.2)

And when the man that had the line in his hand went forth eastward, he measured a thousand cubits, and he brought me through the waters; the waters *were* to the ankles. (V.3)

Again he measured a thousand, and brought me through the waters; the waters *were* to the knees. Again he measured a thousand, and brought me through; the waters *were* to the loins. (V.4)

Afterward he measured a thousand; *and it was* a river that I could not pass over: for the waters were risen, waters to swim in, a river that could not be passed over." (Ezekiel 47:1-5)

A cubit is 18 inches; therefore, 4,000 cubits equals 6,000 feet. There are 5,280 feet in a mile. As it flows, it gets deeper and widens to over a mile wide as it enters the Dead Sea. Nothing could live in this sea of salt; but, now, in the Millennium, it has been healed and flourishes with life.

"Then said he unto me, These waters issue out toward the east country, and go down into the desert, and go into the sea: *which being* brought forth into the sea, the waters shall be healed. (V.8)

And it shall come to pass, *that* every thing that liveth, which moveth, whithersoever the rivers shall come, shall live: and there shall be a very great multitude of fish, because these waters shall come thither: for they shall be healed; and every thing shall live whither the river cometh. (V.9)

And it shall come to pass, *that* the fishers shall stand upon it from Engedi even unto Eneglaim; they shall be a *place* to spread forth nets; their fish shall be according to their kinds, as the fish of the great sea, exceeding many." (Ezekiel 47:8-10)

God will preserve a section to retain salt for the people's use, just as they had prior to the Millennium.

"But the miry places thereof and the marshes thereof shall not be healed; they shall be given to salt." (Ezekiel 47:11)

The healing of this river and the Dead Sea, and the surrounding area adjacent to the river, is described as being productive on both sides.

'And by the river upon the bank thereof, on this side and on that side, shall grow all trees for meat, whose leaf shall not fade, neither shall the fruit thereof be consumed: it shall bring forth new fruit according to his months, because their waters they issued out of the sanctuary: and the fruit thereof shall be for meat, and the leaf thereof for medicine." (Ezekiel 47:12)

The same is described in Revelation 22:1,2,

"And he shewed me a pure river of water of life, clear as crystal, proceeding out of the throne of God and of the Lamb. (V.1)

In the midst of the street of it, and on either side of the river, *was there* the tree of life, which bare twelve *manner of* fruits, *and* yielded her fruit every month: and the leaves of the tree *were* for the healing of the nations." (Revelation 22:1-2)

I am aware that some believe this Tree of Life is after the Millennium, and in the New Heavens and New Earth. I believe this eating of the Tree of Life is during the Millennium for several reasons. Here is just one.

"Blessed *are* they that do his commandments, that they may have right to the tree of life, and may enter in through the gates into the city." (Revelation 22:14)

During the Millennium there will be lost people, among Christians, who will not be keeping the Feast of Passover; or, the Feast of Tabernacles. (Zechariah 14:16-19) If a person lives to be a 100 years old, and has never accepted Christ as their Savior, they will be killed and spend Eternity in Hell. (Isaiah 65:20) No unbeliever will be permitted to eat of this wonderful Tree of Life. If this tree were in the New Heavens and Earth, there would be no unbelievers to restrain!

Now, back to the Tree of Life in Revelation 22:2 and the word "healing."

"In the midst of the street of it, and on either side of the river, *was there* the tree of life, which bare twelve *manner of* fruits, *and* yielded her fruit every month: and the leaves of the tree *were* for the HEALING of the nations." (Revelation 22:2)

Healing is from the Greek "therapeia" meaning "health and enjoyment." It does not give health in the sense of healing a person from becoming sick. Our spiritual and/or resurrected bodies will never get sick or die. (Revelation 21:4) It will be healthy in the sense of feeling good as a result of enjoying all of those fresh fruits we will have the privilege of eating.

I am sure there will be an avocado tree. They are one of my favorites. Christ also ate in His resurrected body.

"And they gave him a piece of a broiled fish, and of an honeycomb. (V.42) And he took *it*, and did eat before them." (Luke 24:42-43)

14. The Gates of Jerusalem Will Be Named After Each Tribe.

And the gates of the city shall be after the names of the tribes of Israel: three gates northward; one gate of Reuben, one gate of Judah, one gate of Levi. (V.31)

And at the east side four thousand and five hundred: and three gates; and one gate of Joseph, one gate of Benjamin, one gate of Dan. (V.32)

And at the south side four thousand and five hundred measures: and three gates; one gate of Simeon, one gate of Issachar, one gate of Zebulun. (V.33)

At the west side four thousand and five hundred, with their three gates; one gate of Gad, one gate of Asher, one gate of Naphtali. (V.34)

It was round about eighteen thousand measures: and the name of the city from that day shall be, The Lord is there." (Ezekiel 48:31-35)

15. The Earth Will Be Filled With The Knowledge of the Lord.

"They shall not hurt nor destroy in all my holy mountain: for the earth shall be full of the knowledge of the Lord, as the waters cover the sea." (Isaiah 11:9)

"But this *shall be* the covenant that I will make with the house of Israel; After those days, saith the Lord, I will put my law in their inward parts, and write it in their hearts; and will be their God, and they shall be my people. (V.33)

And they shall teach no more every man his neighbour, and every man his brother, saying, Know the Lord: for they shall all know me, from the least of them unto the greatest of them, saith the Lord: for I will forgive their iniquity, and I will remember their sin no more." (Jeremiah 31:33-34)

16. No Anti-Semitism.

"Thus saith the Lord of hosts; *It shall yet come to pass*, that there shall come people, and the inhabitants of many cities: (V.20)

And the inhabitants of one *city* shall go to another, saying, Let us go speedily to pray before the Lord, and to seek the Lord of hosts: I will go also. (V.21)

Yea, many people and strong nations shall come to seek the Lord of hosts in Jerusalem, and to pray before the Lord. (V.22)

Thus saith the Lord of hosts; In those days *it shall come to pass*, that ten men shall take hold out of all languages of the nations, even shall take hold of the skirt of him that is a Jew, saying, WE WILL GO WITH

YOU: FOR WE HAVE HEARD *THAT GOD IS WITH YOU.*" (Zechariah 8:20-23)

17. The Saved Will Live Through The Millennium With No Death Recorded.

"There shall be no more thence an infant of days, nor an old man that hath not filled his days: for the child shall die an hundred years old; but the sinner being an hundred years old shall be accursed."
(Isaiah 65:20)

Those that start the Kingdom will live in their physical bodies for 1,000 years to the end of the Kingdom.

18. The Saints Will Judge The Angels & The World.

Saints will judge, convict, and execute righteous judgment. We will have compassion for the victim, and not for the criminal. In fact, we are told in 1 Corinthians 6:3 that we shall judge angels.

"Know ye not that we shall judge angels? how much more things that pertain to this life?"

These are the most wicked angels that brought about the flood. (Genesis 6). Peter describes them in 2 Peter 2:4,

"For if God spared not the angels that sinned, but cast them down to hell, and delivered them into chains of darkness, to be reserved unto judgment;"

19. All Nations Must Come Up To the Feast of Tabernacles.

Those who do not come to Jerusalem for the Feast of Tabernacles will have no rain.

"And it shall come to pass, *that* every one that is left of all the nations which came against Jerusalem shall even go up from year to year to worship the King, the Lord of hosts, and to keep the feast of tabernacles. (V.16)

And it shall be, *that* whoso will not come up of *all* the families of the earth unto Jerusalem to worship the King, the Lord of hosts, even upon them shall be no rain. (V.17)

And if the family of Egypt go not up, and come not, that *have* no *rain*, there shall be the plague, wherewith the Lord will smite the heathen that come not up to keep the feast of tabernacles. (V.18)

This shall be the punishment of Egypt, and the punishment of all nations that come not up to keep the feast of tabernacles." (Zechariah 14:16-19)

God controls the weather.

"By the breath of God frost is given: and the breadth of the waters is straitened. (V.10)

Also by watering he wearieth the thick cloud: he scattereth his bright cloud: (V.11)

And it is turned round about by his counsels: that they may do whatsoever he commandeth them upon the face of the world in the earth. (V.12)

He causeth it to come, whether for correction, or for his land, or for mercy. (Job 37:5-13)

Unfortunately, even in the time of God's perfect peace on Earth, there will be a negative side. Demons and unclean spirits will still be free on the Earth; while, at the beginning of the Millennium, Satan will be chained; the Beast, False Prophet will be cast into the Lake of Fire; and, the most Wicked Angels are still imprisoned in Tartarus. The remainder of the 1/3 of angels which followed Satan are still free. Many people will be possessed. (Matthew 8:16 and Luke 4:33,41) But, the Great White Throne awaits these wicked angels who followed Satan, **"from the beginning,"** and they will then be cast into the everlasting fire.

"Then shall he say also unto them on the left hand, Depart from me, ye cursed, into everlasting fire, prepared for the devil and his angels:" (Matthew 25:41)

D. The World During The Millennium

The Millennial Reign of Christ starts with all saved and there will be children born to them.

"There shall be no more thence an infant of days, nor an old man that hath not filled his days: for the child shall die (Hebrew, "put to, worthy of, death") an hundred years old; but the sinner being an hundred years old shall be accursed. (Isaiah 65:20)

Some will trust Christ, and some will not. Long ages will again be instituted and if a son or daughter has not trusted the Lord by age 100, they will be "put to death," and cast into "Hades," i.e., Hell.

The lost will have the old nature, and may become hostile, doing anything to disturb the peace that the saved are enjoying; even thinking of murder. (John 16:1,2). This will not be tolerated (Isaiah 2:4; 11:4) and they will be killed before murder can be accomplished.

Others will be obedient out of fear of judgment; BUT, not out of love for the Lord. (Psalm 37:11-15; Psalm 2; Psalm 11; Revelation 20:7-9)

Therefore, they have 100 years of Grace to trust Christ as their Savior. Therefore no infant death of any kind. The minimum span of life will be a 100 years.

NOTE In 2 Peter 3:8, "a thousand years is as a day with the Lord" God told Adam that the "**day that thou eatest of the tree of knowledge of good & evil thou shalt surely die.**" (Gen.2:17). Because of sin, not one person of the antediluvian world lived to reach a 1,000 years of age.

- a. Methuselah 969 (Genesis 5:27)
- b. Noah 950 (Genesis 9:29)
- c. Jared 962 (Genesis 5:20)
- d. Enos 905 (Genesis 5:11)
- e. Adam 930 (Genesis 5:5)
- f. Seth 912 (Genesis 5:8).

Therefore, the saved that enter the Millennium in their physical bodies will live through it, and will be 1,000-plus years old at the end.

1. The Twelve Apostles Will Judge the Twelve Tribes of Israel: (Matthew 19:27,28).

"Then answered Peter and said unto him, Behold, we have forsaken all, and followed thee; what shall we have therefore? (27)

And Jesus said unto them, Verily I say unto you, That ye which have followed me, in the regeneration when the Son of man shall sit in the throne of his glory, ye also shall sit upon twelve thrones, judging the twelve tribes of Israel." – (V.28)

2. Christians Will Be Kings and Priests During the Millennial Reign.

"And hath made us kings and priests unto God and his Father; to him be glory and dominion for ever and ever. Amen." (Revelation 1:6)

"And hast made us unto our God kings and priests: and we shall reign on the earth." (Revelation 5:10)

"Blessed and holy is he that hath part in the first resurrection: on such the second death hath no power, but they shall be priests of God and of Christ, and shall reign with him a thousand years." (Revelation 20:6)

Saints will reign as Kings and Priests. (Revelation 1:6; 5:10; 20:6) (Also see Ezekiel 45:8,9.) Princes "**will execute judgment; justice.**" (Luke 19:12-27; Matthew 25:14- 23; 19:28, 29) How dedicated we are in this life determines our usefulness in the Kingdom.

"Moreover it is required in stewards, that a man be found faithful." (1 Corinthians 4:2)

3. There Will Be Righteous Government During the Kingdom.

- a. Jesus Christ Will Be "King of Kings; Lord of Lords."

"And he hath on his vesture and on his thigh a name written, KING OF KINGS, AND LORD OF LORDS." (Revelation 19:16)

"But with righteousness shall he judge the poor, and reprove with equity for the meek of the earth: and he shall smite the earth with the rod of his mouth, and with the breath of his lips shall he slay the wicked." (Isaiah 11:4)

b. David Will Also Reign As a King: (Ezekiel 37:24-25).

"And David my servant shall be king over them; and they all shall have one shepherd: they shall also walk in my judgments, and observe my statutes, and do them. (24)

And they shall dwell in the land that I have given unto Jacob my servant, wherein your fathers have dwelt; and they shall dwell therein, even they, and their children, and their children's children for ever: and my servant David shall be their prince for ever." (V.25)

"Behold, a king shall reign in righteousness, and princes shall rule in judgment." (Isaiah 32:1)

David will reign in his resurrected body, and have a variety of responsibilities during the Millennium.

E. The Millennial Temple and Priests.

The following is a brief overview from the Tabernacle to the Millennial Temple. For about 490 years, the Tabernacle was in eight different places. David brought it back from Jerusalem and gathered silver and gold, and a lot of money for Solomon, his son, to build the Temple. It stood for approximately 400 years. Then it took Herod 46 years in building his Temple. It stood 30 years more until 70 A.D. when Titus, the Roman general, destroyed the Sanctuary; but, not the site.

Very soon after the Rapture, the Antichrist allows the Jews to erect their Temple, probably a prefabricated structure. After 3 ½ years, the Antichrist breaks his covenant with Israel. He then destroys the buildings of the Temple and Jerusalem proper; so that not one stone would be left upon another. Therefore, fulfilling Christ's prophecy 2,000 years before. (Matthew 24:1-3).

1. The Feasts On Earth.

"But I say unto you, I will not drink henceforth of this fruit of the vine, until that day when I drink it new with you in my Father's kingdom." (Matthew 26:29)

Passover: Christ drank the Cup of Sanctification; the Cup of Blessing; and the Cup of Judgment with the disciples at the Last Supper. He will drink the Cup of Communion with us in the Kingdom. The Old Testament Saints now in Heaven will be the Bride's guests, and feast with the Church at the Marriage Supper of the Lamb in Heaven. They will return with Christ,

receive their resurrected bodies; and feast with Christ at the Feast of Passover and Unleavened Bread every year throughout the Millennium. (Matthew 8:11; Luke 22:30; Ezekiel 45:21)

"In the first *month*, in the fourteenth day of the month, ye shall have the passover, a feast of seven days; unleavened bread shall be eaten." (Ezekiel 45:21)

The Feast of Tabernacles is also required.

"And it shall come to pass, *that* every one that is left of all the nations which came against Jerusalem shall even go up from year to year to worship the King, the Lord of hosts, and to keep the feast of tabernacles." (Zechariah 14:16)

2. The Marriage Supper of The Lamb.

"Let us be glad and rejoice, and give honour to him: for the marriage of the Lamb is come, and his wife hath made herself ready. (7)

And to her was granted that she should be arrayed in fine linen, clean and white: for the fine linen is the righteousness of saints. (8)

And he saith unto me, Write, Blessed are they which are called unto the marriage supper of the Lamb. And he saith unto me, These are the true sayings of God." (Revelation 19:7-9)

3. Who Will Build the Millennial Temple?

The Jews and the Gentiles will build **IN** the Temple.

"And **THEY THAT ARE FAR OFF** (Gentiles) shall come and build **IN** the temple of the Lord, and ye shall know that the Lord of hosts hath sent me unto you. And *this* shall come to pass, if ye will diligently obey the voice of the Lord your God." (Zechariah 6:15)

(Also see Zechariah 6:11-15; and Ezekiel, Chapter 44.) The measurements of the Temple are given in Ezekiel 45:7,16,17,22. These measurements are with a cubit of 21-1/2 inches.

But the **LORD** will build the Temple proper.

"And speak unto him, saying, Thus speaketh the Lord of hosts, saying, Behold the man whose name *is* The **BRANCH**; and he shall grow up out of his place, and he shall build the temple of the Lord: (V.12)

Even he shall build the temple of the Lord; and he shall bear the glory, and shall sit and rule upon his throne; and he shall be a priest upon his throne: and the counsel of peace shall be between them both." (Zechariah 6:12-13)

4. The Feast of Tabernacles.

Someone will be appointed over Egypt and all nations that do not keep the Feast of Tabernacles once a year, as they are required to do.

“And it shall come to pass, that every one that is left of all the nations which came against Jerusalem shall even go up from year to year to worship the King, the Lord of hosts, and to keep the feast of tabernacles.(16)

And it shall be, that whoso will not come up of all the families of the earth unto Jerusalem to worship the King, the Lord of hosts, even upon them shall be no rain.(17)

And if the family of Egypt go not up, and come not, that have no rain; there shall be the plague, wherewith the Lord will smite the heathen that come not up to keep the feast of tabernacles. (V:18)

This shall be the punishment of Egypt, and the punishment of all nations that come not up to keep the feast of tabernacles. (Zechariah 14:16-19)

5. Where Is the Ark of the Covenant?

Sorry, Indiana Jones. There is no Ark of The Covenant. It was carried to Babylon and never seen after that.

“And it shall come to pass, when ye be multiplied and increased in the land, in those days, saith the Lord, they shall say no more, The ark of the covenant of the Lord: neither shall it come to mind: neither shall they remember it; neither shall they visit *it*; neither shall *that* be done any more.” (Jeremiah 3:16)

6. The Eastern Gate; or the Golden Gate?

Some claim that this gate has been sealed for almost 900 years and will not be opened until Christ comes to enter through it. Not so! (Matthew 24:2). It was completely destroyed by Titus and the Roman Army. Ezekiel is referring the Millennial Gate to the city.

7. The Temple Priests. (Ezekiel, Chapter 44).

Ezekiel 44:6-8. Israel was rebuked in Ezekiel's time for not caring for the things of the Temple. This will not happen in the Millennial Temple.

“And thou shalt say to the rebellious, *even* to the house of Israel, Thus saith the Lord GOD; O ye house of Israel, let it suffice you of all your abominations, (V.6)

In that ye have brought *into my sanctuary* strangers, uncircumcised in heart, and uncircumcised in flesh, to be in my sanctuary, to pollute

it, *even* my house, when ye offer my bread, the fat and the blood, and they have broken my covenant because of all your abominations. (V.7)

And ye have not kept the charge of mine holy things: but ye have set keepers of my charge in my sanctuary for yourselves." (Ezekiel 44:6-8)

In Verses 9-14, we find that the descendants of the Aaronic, Levitical Priesthood will not serve; but, keep charge of the gates, house, and slay the animal sacrifices.

The reason is found in Verses 15,16. Zadok was faithful to David at the time of Absalom's rebellion. His descendants shall serve before the Lord.

"But the priests the Levites, the sons of Zadok, that kept the charge of my sanctuary when the children of Israel went astray from me, they shall come near to me to minister unto me, and they shall stand before me to offer unto me the fat and the blood, saith the Lord GOD: (V.15)

They shall enter into my sanctuary, and they shall come near to my table, to minister unto me, and they shall keep my charge." (Ezekiel 44:15-16)

A practical lesson is given in 1 Corinthians 9:24-27 and 10:5.

"Know ye not that they which run in a race run all, but one receiveth the prize? So run, that ye may obtain. (24)

And every man that striveth for the mastery is temperate in all things. Now they do it to obtain a corruptible crown; but we an incorruptible. (25)

I therefore so run, not as uncertainly; so fight I, not as one that beateth the air: (26)

But I keep under my body, and bring it into subjection: lest that by any means, when I have preached to others, I myself should be a castaway. (1 Corinthians 9:24-27)

"But with many of them God was not well pleased: for they were overthrown in the wilderness." (1 Corinthians 10:5)

8. The Tribe of Dan Will Receive Their Portion of Land.

The warning is given in Deuteronomy 9:24-27. Their sin is revealed in Judges 18:30-31.

"And the children of Dan set up the graven image: and Jonathan, the son of Gershom, the son of Manasseh, he and his sons were priests to the tribe of Dan until the day of the captivity of the land. (30)

And they set them up Micah's graven image, which he made, all the time that the house of God was in Shiloh." (31)

Their tribe is not listed as part of the 144,000 in Revelation. They do have an eternal possession in the land, and eternal life. God keeps His promises!

"Now these are the names of the tribes. From the north end to the coast of the way of Hethlon, as one goeth to Hamath, Hazarenan, the border of Damascus northward, to the coast of Hamath; for these are his sides east and west; A PORTION FOR DAN." (Ezekiel 48:1)

"If any man's work abide which he hath built thereupon, he shall receive a reward. (14)

If any man's work shall be burned, he shall suffer loss: but HE HIMSELF SHALL BE SAVED; YET SO AS BY FIRE." (1 Corinthians 3:14-15)

a. The Heart of a Lost Man Will Still Be the Same.

The Prophet Jeremiah, speaking by the inspiration of God, tells us in Jeremiah 17:9 that,

"The heart *is* deceitful above all *things*, and desperately wicked: who can know it?"

b. Only Satan Is Chained. (Revelation 20:1-3)

The Beast and the False Prophet are already in the Lake of Fire (Revelation 19:20) The rest of his demonic hordes are still free until after the Great White Throne Judgment.

"Then shall he say also unto them on the left hand, Depart from me, ye cursed, into everlasting fire, prepared for the devil and his angels:" (Matthew 25:41)

c. Satan Will Be Freed to Deceive Again.

After a 1,000 years without war, Satan will be loosed for a "short season" to stir up war again. He knows his end is near, and he has but a short time. It is his mission to deceive as many as he can and take them to the Lake of Fire with him. As we have said, it is hardly a battle and no offensive action is recorded from the enemy for Satan's army, as revealed by Revelation 20:9,10,

"And they (Satan and his army) went up on the breadth of the earth, and compassed the camp of the saints about, and the beloved city (Jerusalem): and FIRE CAME DOWN FROM GOD OUT OF HEAVEN, AND DEVoured THEM. (V.9)

And the devil that deceived them was cast into the lake of fire and brimstone, where the beast and the false prophet *are*, and shall be tormented day and night for ever and ever." (Revelation 20:9-10)

The tormenter of mankind will finally be gone!

There will be no world peace until Jesus Christ, the Prince of Peace, returns at the end of the Tribulation Period to set up the Kingdom; but, any person can experience peace with the Lord, knowing they will never perish but have everlasting life.

“He that believeth on the Son (Jesus Christ) hath everlasting life: and he that believeth not the Son shall not see life; but the wrath of God abideth on him.” (John 3:36)

F. Egypt, Assyria, and Israel. Three Nations Resurrected In a Day.

1. They Are Continually In The News.

These three nations are in the news continually. We would have no idea if all three will be destroyed by warfare, captured by another nation; or, be a nation maintaining its identity on this Earth until the Lord creates the New Heavens and New Earth. The world leaders cannot convey to us the assurance of what is going to happen tomorrow; let alone the future! Only God, who has created this Earth and given it to his creation as a dwelling place, can write the future with absolute accuracy.

“The heaven, *even* the heavens, *are* the Lord'S: but the earth hath he given to the children of men.” (Psalm 115:16)

The Lord makes it perfectly clear to mankind that He writes the History before it ever comes to pass, and it is contained in His Book, the Bible.

“I have declared the former things from the beginning; and they went forth out of my mouth, and I shewed them; I did *them* suddenly, and they came to pass. (V.3)

Because I knew that thou *art* obstinate, and thy neck *is* an iron sinew, and thy brow brass; (V.4)

I have even from the beginning declared *it* to thee; before it came to pass I shewed *it* thee: lest thou shouldest say, Mine idol hath done them, and my graven image, and my molten image, hath commanded them. (V.5)

Thou hast heard, see all this; and will not ye declare *it?* I have shewed thee new things from this time, even hidden things, and thou didst not know them. (V.6)

They are created now, and not from the beginning; even before the day when thou heardest them not; lest thou shouldest say, Behold, I knew them.” (Isaiah 48:3-7)

These verses can be summed up in one verse, Isaiah 42:9.

“Behold, the former things are come to pass, and new things do I declare: before they spring forth I tell you of them.” Isaiah 42:9

In the following we are only dealing with Egypt and Assyria from the Rapture into the Tribulation Period and the Millennium.

"In that day shall Israel be the third with Egypt and with Assyria, *even* a blessing in the midst of the land: (V.24)

Whom the Lord of hosts shall bless, saying, Blessed *be* Egypt my people, and Assyria the work of my hands, and Israel mine inheritance." (Isaiah 19:24-25)

2. Assyria. "...I will bless them that bless thee (Israel), and curse them that curseth thee." (Genesis 12:1-3).

Old Assyria was composed of Iraq and Syria. In 721 B.C., Assyria captured Samaria, and took the ten northern tribes of Israel into captivity. Sargon II took the best and most prosperous into exile and treated them kindly. They had homes, businesses, trades, and lived a very good life. These were replaced in Israel by colonists from the provinces; which, also, lived a very good life.

Assyria was known as being ruthless and extremely cruel to their enemies when captured. For whatever reason, it was not so with Israel. This is only a guess; but, maybe Assyria thought that, should they ever be attacked by one of their enemies, the Jews would aid in their defense in return for the kindness they had received.

God never forgets to keep His promises. God, in speaking to Abraham, the progenitor of the Nation of Israel, made a promise to anyone and everyone who is kind in blessing Israel. This blessing is promised in Genesis 12:3.

"And I will bless them that bless thee, and curse him that curseth thee: and in thee shall all families of the earth be blessed."

God has never forgotten how Assyria treated Israel while in captivity for approximately 100 years. Assyria kept them alive and treated them well. They will be known as "Assyria" and reign with Christ during His earthly kingdom. There will be a highway between Assyria and Egypt that will be heavily traveled. All families will be required to go up to Jerusalem once a year to keep the Feast of Tabernacles.

"And it shall come to pass, *that* every one that is left of all the nations which came against Jerusalem shall even go up from year to year to worship the King, the Lord of hosts, and to keep the feast of tabernacles." (Zechariah 14:16)

Israel, Egypt, and Assyria, will worship together at this great feast of our Wonderful Savior, the Lord Jesus Christ. There will be love, instead of hate; and peace, instead of war!

"In that day shall there be a highway out of Egypt to Assyria, and the Assyrian shall come into Egypt, and the Egyptian into Assyria, and the Egyptians shall serve with the Assyrians. (V.23)

In that day shall Israel be the third with Egypt and with Assyria, even a blessing in the midst of the land:" (Isaiah 19:23-24)

Note: "That day" is the Kingdom Reign of Christ.

Note: Remember, Assyria was made up of Iraq and Syria. Whether they unite politically as one before the Rapture; or, in the Tribulation Period, no one knows. But, in the Millennium, they will be known as Assyria.

3. Egypt. "...I will bless them that bless thee (Israel), and curse them that curseth thee."

The Lord lets us know about Egypt some things that will transpire during the Tribulation Period. In the middle of the Tribulation Period; when, the Antichrist declares himself to be God and is attempting to take over all the nation of the world, Egypt is one of these nations; as described in Isaiah 19:4.

"And the Egyptians will I give over into the hand of a cruel lord; and a fierce king shall rule over them, saith the Lord, the Lord of hosts."

The Prophet, Daniel, also describes this in Chapter 11, Verse 25.

"And he shall stir up his power and his courage against the king of the south (Egypt) with a great army; and the king of the south shall be stirred up to battle with a very great and mighty army; but he shall not stand: for they shall forecast devices against him."

The "**king of the south**" is Egypt. Egypt's army is totally decimated in defeat as described in Verse 26 of the same chapter.

"Yea, they that feed of the portion of his meat shall destroy him, ... (V.26a)

...and his army shall overflow: and many shall fall down slain." (V.2b)

- a. **Verse 26a:** Those who Egypt thought were her friends and would help her; instead, turned against her.
- b. **Verse 26b:** This describes Egypt's army in defeat. As a figure of speech, "shall overflow" describes the fact that so many of their soldiers were killed that they were falling dead on top of each other. Egypt then, after defeat, seeks advice from their false gods, instead of the Lord.

"And the spirit of Egypt shall fail in the midst thereof; and I will destroy the counsel thereof: and they shall seek to the idols, and to the charmers, and to them that have familiar spirits, and to the wizards." (Isaiah 19:3)

The whole nation is in total disarray and turns to fighting each other.

"And I will set the Egyptians against the Egyptians: and they shall fight every one against his brother, and every one against his neighbour; city against city, *and* kingdom against kingdom." (Isaiah 19:2)

In Isaiah 19:5-9, 15,16, the Lord sends a drought. There is a depression, no work, Egypt is bankrupt! Is this happening to America? Our Supreme Court has allowed women to legally kill their babies, promoted homosexuals and lesbians, same-sex marriages; and, don't even mention Jesus Christ publically, EXCEPT to swear!

Recently I have seen on television, heard on radio, and witnessed on the streets that our president is anti-American, Antichristian, anti-Constitution, and anti-Truth! I am not expressing my opinion, only what I am beginning to hear, that I have never heard about any previous president. It makes one wonder. Has God withdrawn His blessings from what once was a nation that I could be proud of?

4. Egypt Has No Where To Turn; But, the Lord (Isaiah 19:19-21).

"In that day shall there be an altar to the Lord in the midst of the land of Egypt, and a pillar at the border thereof to the Lord. (V.19)

And it shall be for a sign and for a witness unto the Lord of hosts in the land of Egypt: for they shall cry unto the Lord because of the oppressors, and he shall send them a saviour, and a great one, and he shall deliver them. (V.20)

And the Lord shall be known to Egypt, and the Egyptians shall know the Lord in that day, and shall do sacrifice and oblation; yea, they shall vow a vow unto the Lord, and perform *it*." (V.21)

Egypt will remain Egypt throughout the Tribulation Period and on through the Millennium. Egypt, Assyria, and Israel will be loving each other in thanksgiving for such a Wonderful Savior, the Lord Jesus Christ, who never gave up on them.

- a. God had never forgotten what Egypt did in blessing Israel. Yes, they persecuted Israel for 400 years; BUT, they kept God's people alive! Notice how Israel came out from Egypt, as revealed in Exodus 12:31-35.

"And he called for Moses and Aaron by night, and said, Rise up, *and* get you forth from among my people, both ye and the children of Israel; and go, serve the Lord, as ye have said. (V.31)

Also take your flocks and your herds, as ye have said, and be gone; and bless me also. (V.32)

And the Egyptians were urgent upon the people, that they might send them out of the land in haste; for they said, We *be* all dead *men*. (V.33)

And the people took their dough before it was leavened, their kneadingtroughs being bound up in their clothes upon their shoulders. (V.34)

And the children of Israel did according to the word of Moses; and they borrowed of the Egyptians jewels of silver, and jewels of gold, and raiment:" (Exodus 12:31-35)

In Verse 35, the word "borrowed" should have been translated "ASK." In Verse 36, "lent" is the same Hebrew word as "borrowed." The Hebrew is "shael," a prime root which is used according to the context; therefore, "lent" should be translated "gave." Psalm 105:37 adds that "there was not one feeble person among their tribes," when they left Egypt.

b.Egypt provided refuge for Jesus when, as a child, Herod wanted to kill him.

"And when they were departed, behold, the angel of the Lord appeareth to Joseph in a dream, saying, Arise, and take the young child and his mother, and flee into Egypt, and be thou there until I bring thee word: for Herod will seek the young child to destroy him. (V.13)

When he arose, he took the young child and his mother by night, and departed into Egypt: (V.14)

And was there until the death of Herod: that it might be fulfilled which was spoken of the Lord by the prophet, saying, Out of Egypt have I called my son." (Matthew 2:13-15)

God always keeps His promises.

"And I will bless them that bless thee, and curse him that curseth thee: and in thee shall all families of the earth be blessed." (Genesis 12:3)

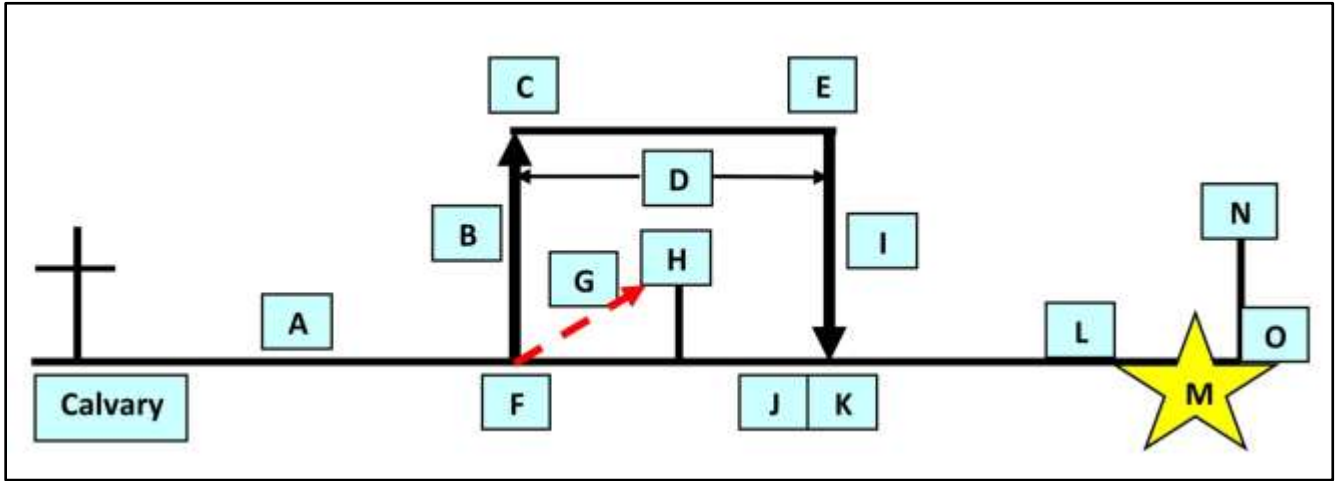
Proof is given in the prophecy of Isaiah, Chapter 19.

"In that day shall there be a highway out of Egypt to Assyria, and the Assyrian shall come into Egypt, and the Egyptian into Assyria, and the Egyptians shall serve with the Assyrians. (V.23)

In that day shall Israel be the third with Egypt and with Assyria, *even* a blessing in the midst of the land: (V.24)

Whom the Lord of hosts shall bless, saying, Blessed *be* Egypt my people, and Assyria the work of my hands, and Israel mine inheritance." (Isaiah 19:23-25)

In this chapter of "The Kingdom Reign of Christ, I have only touched the surface in giving an overview of the 1,000 year Kingdom. It would take a book, or books, to cover everything in detail. I only hope what is given will give the reader some idea of what the Millennium will be like and encourage a more detailed study of their own.



SECOND BATTLE OF GOG AND MAGOG: STAR "M"

A. Introduction.

There are two great battles that are identified as "Gog and Magog."

1. The first is found in Ezekiel, Chapters 38 and 39, where Russia and her five allies march against Israel, and are completely annihilated. The word "Gog" appears ten times from the same Hebrew word "magowg." One time, it is the name of an Israelite (1 Chronicles 5:4). The other nine times it is found in Ezekiel, Chapters 38, and 39, and is in reference to a "northern nation." From the context it is clear that this nation is Russia.

2. The word "Gog" appears one other time in Revelation 20:8.

"And shall go out to deceive the nations which are in the four quarters of the earth, Gog and Magog, to gather them together to battle: the number of whom *is* as the sand of the sea."

Here it is used in reference to Satan and his last attack against Christ's Millennial Kingdom. This is known as the Second Battle of Gog and Magog, which occurs before Satan is cast into the Lake of Fire for eternity.

B. Satan Chained.

Satan is chained in the Bottomless Pit for one-thousand years during Christ's Kingdom Reign. (Revelation 20:1-3)

"And I saw an angel come down from heaven, having the key of the bottomless pit and a great chain in his hand. (V.1)

And he laid hold on the dragon, that old serpent, which is the Devil, and Satan, and bound him a thousand years, (V.2)

And cast him into the bottomless pit, and shut him up, and set a seal upon him, that he should deceive the nations no more, till the thousand years should be fulfilled: and after that he must be loosed a little season." (Revelation 20:1-3)

Previously, God had permitted Satan freedom to attempt to deceive and mislead believers from serving the Lord; or, winning others to Christ.

"Casting all your care upon him; for he (God) careth for you. (V.7)

Be sober, be vigilant; because your adversary the devil, as a roaring lion, walketh about, seeking whom he may DEVOUR: (V.8)

Whom (you) resist stedfast in the faith, knowing that the same afflictions are accomplished in your brethren that are in the world." (1 Peter 5:7-9)

Notice the word "devour" in Verse 8, above. It is the Greek "katapino," from "kata," meaning "down," and "pinto," meaning "drink;" therefore the Devil seeks to swallow you up with his demonic influence. Christ puts a halt to this and chains him for a thousand years.

1. Revelation 20:4.

"And I saw thrones, and they sat upon them, and judgment was given unto them: and *I saw* the souls of them that were beheaded for the witness of Jesus, and for the word of God, and which had not worshipped the beast, neither his image, neither had received *his* mark upon their foreheads, or in their hands; and they lived and reigned with Christ a thousand years."

Many times we have heard that these Christians were saved in the last 3 ½ years, and beheaded for refusing the Antichrist's mark of 666. In reality, they could have been saved any time after the Rapture; but, only apprehended in the last 3 ½ years. The Antichrist does not enforce his mark of "666" until the middle of the Tribulation Period, when he declares he is the one true God. (Daniel 9:27; Revelation 13:15) They will receive their resurrected bodies, along with all of the Old Testament Saints. They will receive a Martyr's Crown and reign with Christ all through the Millennium.

2. Revelation 20:5.

"But the rest of the dead lived not again until the thousand years were finished. This *is* the first resurrection."

This is all the lost from Creation to the last sinner at the conclusion of the Millennium. All of these will be in Hell (Gr. "Hades, ref. Luke 16:19-31). More will be covered when we ex-

amine the Great White Throne Judgment. (Section N)

C. Satan's Activities – Revelation 20:7-10.

“And when the thousand years are expired, Satan shall be loosed out of his prison, (V.7)

And shall go out to deceive the nations which are in the four quarters of the earth, Gog and Magog, to gather them together to battle: the number of whom *is* as the sand of the sea. (V.8)

And they went up on the breadth of the earth, and compassed the camp of the saints about, and the beloved city: and fire came down from God out of heaven, and devoured them. (V.9)

And the devil that deceived them was cast into the lake of fire and brimstone, where the beast and the false prophet *are*, and shall be tormented day and night for ever and ever.” (V.10)

1. Revelation 20:7:

As Christians, we are always on the winning side. This illustrates the Lord's omnipotent power over Satan and all of His followers. In Verse Three, Satan was put into the Bottomless Pit (“very deep pit); and in Verse 7, Christ is the only one who can free him. The time Satan is free is very short, as Verse Three states, “**loosed a LITTLE season.**”

2. Revelation 20:8.

“And shall go out to deceive the NATIONS which are in the four quarters of the earth, Gog and Magog, to gather them together to battle: the number of whom *is* as the sand of the sea.” (Revelation 20:8)

As we read this verse, there is a lot more depth in it than appears from a casual reading. I would like to bring out each item that I feel will be of help in understanding the context.

- a. “**Nations**” is the Greek “ethnos,” which is in the plural. “Originally a multitude, denotes a nation or people of the same nature or genus. It is used in the singular of Jews. In the plural of “nations” (Hebrew, “goiim”), other than Israel.” (Vine's Expository Dictionary of New Testament Words)
- b. The saved Gentiles, of such a multitude that could not be numbered, come out of the Tribulation Period alive. (Revelation 7:9)

“After this I beheld, and, lo, a great multitude, which no man could number, of all NATIONS, and kindreds, and people, and tongues, stood before the throne, and before the Lamb, clothed with white robes, and palms in their hands;” (Revelation 7:9)

“And one of the elders answered, saying unto me, What are these

which are arrayed in white robes? and whence came they? (V.13)

And I said unto him, Sir, thou knowest. And he said to me, These are they which came out of great tribulation, and have washed their robes, and made them white in the blood of the Lamb." (Revelation 7:13-14)

Notice the word "**nations**" in Revelation 20:8 (above). It is the Greek "ethnos" in the plural (i.e., Gentiles). This lets us know that there are hundreds of thousands that enter the earthly kingdom, in their earthly bodies, to reign with Christ. These will have children during the Millennium, which will be born to Christian parents. Just because they are born of Christian parents does not make them a Christian. They must accept Christ, individually, as their Savior.

"But as many as received him, to them gave he power to become the sons of God, *even* to them that believe on his name: (V.12)

Which were born, not of blood, nor of the will of the flesh, nor of the will of man, but of God." (John 1:12-13)

Notice in Verse 13:

- (1). "**...not of blood...**"--Their biological birth does not make them a Christian.
- (2). "**...nor of the will of the flesh...**"—No amount of good works will ever merit one eternal life.
- (3). "...nor of the will of man..."

"They that trust in their wealth, and boast themselves in the multitude of their riches; (V.6)

None *of them* can by any means redeem his brother, nor give to God a ransom for him:" (Psalm 49:6-7)

You cannot buy someone into Heaven by bribing God with your money! I am going to speak the truth as a bulkhead against a satanic lie, perpetrated by the Roman Catholic organization. One of the biggest money rip-offs ever put forth by organized religion is that of Purgatory. This leads people to believe they can get a loved one out of a place with their money, that never existed.

- c. Longevity will exist in the Millennium, as it was prior to the Flood. Children will have 100 years to accept Christ. If they do not, they will be cut off (die) and be sent to Hell (Gr. "Hades).

"There shall be no more thence an infant of days, nor an old man that hath not filled his days: for the child shall die an hundred years old; but the sinner *being* an hundred years old shall be accursed." (Isaiah 65:20)

Those that are cut off at 100 years old are all lost people who have had children during their life. These children are raised in a non-Christian home and the majority will not be saved; but, end up with their parents in Hell. This does not mean that ALL their offspring will be lost; but, only a few will be saved.

“Enter ye in at the strait gate: for wide *is* the gate, and broad *is* the way, that leadeth to destruction, and many there be which go in thereat: (V.13)

Because strait *is* the gate, and narrow *is* the way, which leadeth unto life, and FEW there be that find it.”(Matthew 7:13-14)

The majority of the Gentiles born during the Millennium will tolerate the Lord; but, will not accept Christ as their Savior. At the end of the Millennium, those Gentiles who have not reached the age of 100 will make up Satan’s army, which will be so large that it is not numbered specifically; but, illustrated as **“the number of whom *is* as the sand of the sea.”**

d. What About the Jews?

Revelation 20:8a states concerning the Antichrist’s getting his tremendous army from all over the world to defeat his Arch-enemy, the Lord Jesus Christ,

“And shall go out to deceive the NATIONS which are in the four quarters of the earth,…”

As previously stated, “nations” here is “ethnos” in the plural; as it includes all people and nations that are not Jewish; but, Gentiles. When in the singular, it is referring to the Jewish people; or, their nation.

Note: Did you ever wonder why God did not have John write the following?

“And go out to deceive the nation (singular-Jews) and nations (plural-Gentiles).” (paraphrased)

It then would have included Jews and Gentiles in the army of the Antichrist. The following could give us the answer. There will be Jews saved all through the Tribulation Period. Some will die and some will go into the Millennium in their physical bodies to reign with Christ. (Romans 11:26,27).

“And so all Israel shall be saved: as it is written, There shall come out of Sion the Deliverer, and shall turn away ungodliness from Jacob: (V.26)

For this *is* my covenant unto them, when I shall take away their sins.” (Romans 11:26,27)

When Verse 26 states, **“...all Israel shall be saved...,”** this is not every Jew; but, ALL who are alive when Christ returns, and have not taken the Antichrist’s number, 666. There will

be a great slaughter of the Jewish people in the last 3 ½ years of the Tribulation Period, after the Antichrist breaks his “peace” covenant with Israel.

- (1). Nine out of 10 Jews will be killed in the world, outside of Israel, during the last half of the Tribulation Period. (Isaiah 6:11-13).

“Then said I, Lord, how long? And he answered, Until the cities be wasted without inhabitant, and the houses without man, and the land be utterly desolate, (V.11)

And the Lord have removed men far away, and *there be* a great forsaking in the midst of the land. (V.12)

But yet in it *shall be* a tenth, and *it* shall return, and shall be eaten: as a teil tree, and as an oak, whose substance *is* in them, when they cast *their leaves*: so the holy seed *shall be* the substance thereof.”
Isaiah (V.13)

- (a). In Verse 11, the word “LAND” would better be translated “COUNTRY,” as it is in reference to Israel’s homeland. The word “LAND” in Verse 12 is a different Hebrew word, and is better translated, “WORLD.” In other words, there will be a great forsaking of the Jewish people who have fled to all parts of the world, outside of their homeland in Israel, to escape death.
- (b). In Verse 13, “**But yet in it..**” (the world outside of Israel); “**a tenth shall return** (to their land).”
- (c). God uses two trees to illustrate a spiritual truth. “**Their leaves**” is italicized as there is no Hebrew word for this in the Majority Text. The “**holy seed;**” that is 1/10 of the Jews outside of their homeland, will be the “**substance**” that will return alive to enter the Kingdom.
- (d). The oak tree which cast its seed, the acorn, would illustrate this; as very few acorns grow to produce trees. Bears, pigs, and other animals eat them before they can take root. Only one out of ten Jews will be alive to be “harvested” into the Kingdom.

- (2). Two-thirds of the Jewish people will die in their land.

“And it shall come to pass, *that* in all the land, saith the LORD, two parts therein shall be cut off *and* die; but the third shall be left therein. (V.8)

And I will bring the third part through the fire, and will refine them as silver is refined, and will try them as gold is tried: they shall call on my name, and I will hear them: I will say, It *is* my people: and they shall say, The LORD *is* my God.” (Zechariah 13:8,9)

In the Gospel of Matthew, Chapter 24, Verses 15 to 22 give the prophecy of what will take place in the last 3 ½ years of the Great Tribulation, prior to Christ's earthly Kingdom. This is the same time period as Zechariah.

"When ye therefore shall see the abomination of desolation, spoken of by Daniel the prophet, stand in the holy place, (whoso readeth, let him understand:) (V.15)

Then let them which be in Judaea flee into the mountains: (V.16)

Let him which is on the housetop not come down to take any thing out of his house: (V.17)

Neither let him which is in the field return back to take his clothes. (V.18)

And woe unto them that are with child, and to them that give suck in those days! (V.19)

But pray ye that your flight be not in the winter, neither on the sabbath day: (V.20)

For then shall be great tribulation, such as was not since the beginning of the world to this time, no, nor ever shall be. (V.21)

And except those days should be shortened, there should no flesh be saved: but for the elect's sake those days shall be shortened." (Matthew 24:15-22)

a. **Verse 15.** This fulfills 2 Thessalonians 2:4. The "abomination" is when the Antichrist breaks his "peace" covenant and takes over the Jewish Temple, declaring himself to be God. The "desolation" is when he destroys the temple and headquarters himself completely in Babylon. Unfortunately, when Satan is loosed from his prison at the end of the Millennium, God has completely destroyed Babylon. There is not a trace of Satan's beautiful Babylon to be found!

b. **Verses 16-20.** These verses describe how quickly his attack will begin.

c. **Verse 21.** Some have tried to say these Scriptures have already been fulfilled; therefore, they are not for the future. This is easily disproved as Matthew penned his Gospel between 60 and 70 A.D., and Christ has not returned as yet to set up the Kingdom. Notice in Verse 29 of the same chapter, "**Immediately after the tribulation of those days...**" and in Verse 30,

"And then shall appear the sign of the Son of man in heaven: and then shall all the tribes of the earth mourn, and they shall see the Son of man coming in the clouds of heaven with power and great glory." (Matthew 24:30)

This has never happened yet, proof that it is still future.

D. Conclusion As To Why Satan's Army Will Be Composed of All Gentiles.

1. Satan **“shall go out to deceive the nations...”** (Gentiles) (Revelation 20:8).
2. Satan will **“gather them (Gentiles) together to battle.”** (20:8).
3. The size of Satan's army, **“...the number of whom is as the sand of the sea.”** (20:8).
4. There will be **“a great multitude, which no man could number, of all nations...(plural, Gentiles),” “which came out (not killed, but alive) of great tribulation...”** (Revelation 7:9,14).
5. The 144,000 Jews are saved. Satan cannot use them in his army. (Revelation, Chapters 7 and 14).
6. 9/10 of all the Jews in the world, outside of Israel, will be killed during the Tribulation. (Isaiah 6:11-13).
7. 2/3 of all the Jews in Israel will die. (Zechariah 13:8,9).
8. The Jews that are alive and go into the Millennium are saved; so, Satan cannot induct them into his army. It is true that they will have children during the Millennium. These Jewish people that come out of the Tribulation alive will, by comparison, be a hand-full compared to the Gentiles of such **“a great multitude which no man could number.”**
9. The Gentile population of the world at the time of this writing is estimated at 6 Billion, 995 Million, 505 Thousand, Nine-Hundred and Thirty-two. That is 6,995,505,932.

The world population of Jews is 13.3 Million, and there are 5.4 Million living in Israel. We do not have any idea how many of either that are saved and will go at the Rapture. The basic difference between the population of Jews and Gentiles would be similar in the Tribulation, and on through the Millennium to the end. This would indicate why Satan's army would be composed of Gentiles, due to the difference in the volume of people.

E. The “Battle” and Satan's End (Revelation 20:9, 10).

“And they went up on the breadth of the earth, and compassed the camp of the saints about, and the beloved city: and fire came down from God out of heaven, and devoured them.” (Revelation 20:9)

The battle is swift and short! One could hardly call it a battle. No offense is recorded from the enemy. God just brings fire down from Heaven! It will be over within a minute. Fighting against the Lord would be like trying to break down a brick wall with a wet noodle.

The end of Satan as ever having anything to do with the Lord's Creation is finished—forever!

"And the devil that deceived them was cast into the lake of fire and brimstone, where the beast and the false prophet *are*, and shall be tormented day and night for ever and ever." (Revelation 20:10)

We have seen the end of Satan as just described. I have decided to insert a brief overview of his evil career from his existence to his end. This is in no way a full exposition, only a very brief summary.

1. God created Satan. (Ezekiel 28:15).

"Thou *wast* perfect in thy ways from the day that thou wast created, till iniquity was found in thee."

a. **"Perfect"** is the Hebrew "tamim." Notice all the synonyms that could be used for **"perfect,"** (integrity, truth, upright, undefiled, without blemish and etc.).

b. Satan was created as "Lucifer." Isaiah 14:12 states,

"How art thou fallen from heaven, O Lucifer, son of the morning!..."

After his rebellion against God, he is called "Satan," which means "adversary, the arch-enemy of good."

c. He was created with a free will as **"iniquity was found in thee."**

2. Satan will be at war against the Lord from God's Creation until he is cast into the Lake of Fire. (Genesis 3:15).

"And I will put enmity between thee and the woman, and between thy seed and her seed; it shall bruise thy head, and thou shalt bruise his heel."

a. **"Enmity"** is Hebrew for "hostility and warfare."

b. **"It (Christ) shall bruise thy (Satan) head, and thou (Satan) shall bruise his (Christ's) heel."**

(1).The **"seed of the woman"** is the first prophecy of Christ. Progressive Prophetic Revelation will substantiate this. The blood sacrifices from Adam and Eve to the Cross point to His blood shed for the remission of sins.

(2).**"Bruise."** The word here means "to snap at, overwhelm, bruise, or cover." This

word is used in reference to Christ bruising the head of Satan, and Satan bruising the heel of Christ. This is a figure of speech illustrating, mentally, the defeat Satan experiences every time he attacks the Lord's people and is defeated. Just a couple of examples:

- (a). Egypt's attempts to destroy Israel. The whole army died in the Red Sea. (Exodus 14).
- (b). Herod tried to kill Christ, and Herod died a horrible death. (Matthew 2).

As you read through God's Word, have a notebook handy and record each time Satan's plans are defeated. As a figure of speech, Christ's heel will be bruised from stepping on Satan's many attempts to block God's plans. As Genesis 3:14 reveals, Satan, that Old Serpent, will "bite the dust" every time!

3. The word "**bruise**" as connected with Satan, is used again in Romans 16:20.

"And the God of peace shall bruise Satan under your feet shortly.
The grace of our Lord Jesus Christ *be* with you. Amen."

Here the word "**bruise**" in the Greek has an entirely different meaning. The Greek word for "**bruise**" in this verse is "syntribo" and means: "break in pieces, crushing." In other words, "**bruise**" should have been translated "crush," since it is referring to Satan's death of any association with God's Creation; whereas, he is cast into the Lake of Fire and Brimstone for all eternity. This is attested to by Revelation 20:10.

"And the devil that deceived them was cast into the lake of fire and brimstone, where the beast and the false prophet *are*, and shall be tormented day and night for ever and ever."

4. Since Hell was created for the Devil and his angels, he knew his demise was inevitable. He has seen all the prophecies come true, thousands of them, without one exception. Christ's birth, death, and Resurrection, the Rapture, the Judgment of the Nations; with Satan, himself, being chained for 1,000 years; and, Christ ruling the Earth in peace as King of Kings and Lord of Lords.

His release after the 1,000 years is his last opportunity to masquerade as the "Angel of Light," in assembling this enormous army to defeat the One he has accused of being a dictator, the Lord Jesus Christ. He leads them to their physical death and spiritual death; as they all become "absent from the body and present" with their Deceiver in the Lake of Fire for all eternity.

5. Would you like to know just one little thought of those in Hell regarding the one they followed to get there? Isaiah reveals in Chapter 14, Verses 15-17, what the Holy Spirit directed his mind to write concerning this.

"Yet thou shalt be brought down to hell, to the sides of the pit.
(V.15)

They that see thee shall narrowly look upon thee, *and* consider thee, *saying*, *Is* this the man that made the earth to tremble, that did shake kingdoms; (V.16)

That made the world as a wilderness, and destroyed the cities thereof; *that* opened not the house of his prisoners?" (Isaiah 14:15-17)

Notice Verse 16b as I will paraphrase this literally, and in street language.

"Is this the PUNY LITTLE RUNT, that made the earth to tremble, that did shake kingdoms?" (And deceived me into Hell?)

Had all of those in Hell taken God's advice in Psalms 118:8, they would be with the Lord enjoying perfect peace and happiness; instead of where they are.

"It is better to trust in the Lord than to put confidence in man."
(Psalm 118:8)

What about you that are reading this book on prophecy. Do you know that your future is also prophesied? Notice John 3:16,17,

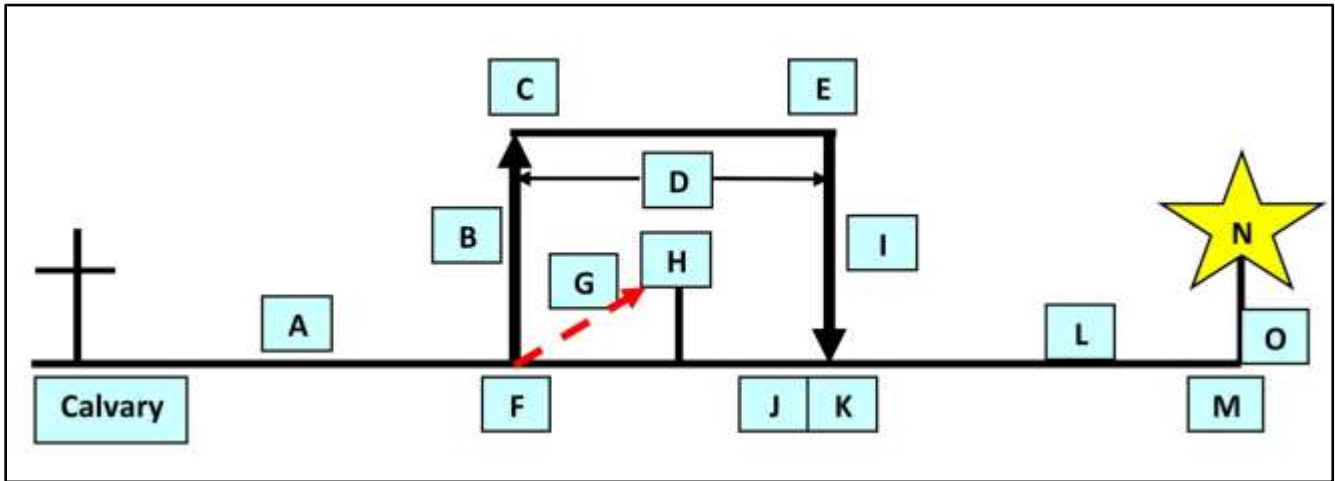
"For God so loved the world, that he gave his only begotten Son, that whosoever believeth in him should not perish, but have everlasting life. (V.16)

For God sent not his Son into the world to condemn the world; but that the world through him might be saved (i.e., from Hell)."

If you will simply believe that Christ shed His blood on that Cross over 2,000 years ago for you; you can then trust His promise that you will never perish; BUT, have everlasting life. It is predestinated; therefore, you can "take it to the bank," as one may term it.

BUT...should you, for some reason of your own, reject God's love for you, He has predestinated that you would be under the wrath and condemnation of Almighty God! You have a free will to accept Jesus Christ; or, to reject His payment for you on the Cross. You can reject Christ; BUT, you cannot reject Hell, your eternal destination.

"He that believeth on the Son hath everlasting life: and he that believeth not the Son shall not see life; but the wrath of God abideth on him." (John 3:36)



THE GREAT WHITE THRONE JUDGMENT: STAR "N"

Revelation 20:11-15.

A. The Final Judgment: All The Lost.

This is the judgment of all the lost that have ever lived on this Earth. All the lost went to their temporary abode, identified as "Hades" in the Greek, and translated "Hell" in the English. The Lord gave a literal account of Hades. It had two compartments, separated by a great gulf. One was for the saved and the other for the lost. It was located in the center of the Earth.

When Christ went back to Heaven after His Ascension, He emptied paradise, and they are now in Heaven. (Ephesians 4:8,9). The account of the lost is given in Luke 16:19-36. In Verses 23,24, this lost man will describe what it is like being in "Hades," or Hell.

"And in hell he lift up his eyes, being in torments, and seeth Abraham afar off, and Lazarus in his bosom. (V.23)

And he cried and said, Father Abraham, have mercy on me, and send Lazarus, that he may dip the tip of his finger in water, and cool my tongue; for I am tormented in this flame. (V.24)

B. The Final Sentence.

All those in "Hades" will be there until they are brought up to the Great White Throne Judgment. This final judgment is described in Revelation 20:11-15.

"And I saw a great white throne, and him that sat on it, from whose face the earth and the heaven fled away; and there was found no place for them. (V.11)

And I saw the dead, small and great, stand before God; and the books were opened: and another book was opened, which is the book

of life: and the dead were judged out of those things which were written in the books, according to their works. (12)

And the sea gave up the dead which were in it; and death and hell delivered up the dead which were in them: and they were judged every man according to their works. (13)

And death and hell were cast into the lake of fire. This is the second death. (14)

And whosoever was not found written in the book of life was cast into the lake of fire." (Revelation 20:11-15)

1. Revelation 20:11.

Here we see Christ on the throne judging the ungodly sinners. Christ came the first time to go to the Cross as the Sinless Lamb of God, with grace and mercy offered to everyone. Here are a few verses that describe those who mocked Him and thought themselves to be little gods, themselves.

"For there are certain men crept in unawares, who were before of old ordained to this condemnation, ungodly men, turning the grace of our God into lasciviousness, and denying the only Lord God, and our Lord Jesus Christ." (Jude 4)

"Likewise also these *filthy* dreamers defile the flesh, despise dominion, and speak evil of dignities." (Jude 8)

"But these speak evil of those things which they know not: but what they know naturally, as brute beasts, in those things they corrupt themselves." (Jude 10)

"And Enoch also, the seventh from Adam, prophesied of these, saying, Behold, the Lord cometh with ten thousands of his saints, (V.14) To execute judgment upon all, and to convince all that are ungodly among them of all their ungodly deeds which they have ungodly committed, and of all their hard *speeches* which ungodly sinners have spoken against him." (Jude 14-15)

"Knowing this first, that there shall come in the last days scoffers, walking after their own lusts, (V.3)

And saying, Where is the promise of his coming? for since the fathers fell asleep, all things continue as *they were* from the beginning of the creation. (V.4)

For this they willingly are ignorant of, that by the word of God the heavens were of old, and the earth standing out of the water and in the water:" (2 Peter 3:3-5)

Here they stand before Christ, "The Lion of the Tribe of Judah" (Revelation 5:5); the "King of Kings and LORD of LORDS." (Revelation 19:16). All of these fulfill Proverbs 14:12.

"There is a way which seemeth right unto a man, but the end thereof *are* the ways of death."

Concerning the last phrase of Verse 11, "**the earth and the heaven fled away.**" This was Satan's domain, as he was "**the prince of the power of the air AND the spirit that now worketh in the children of disobedience.**" (Ephesians 4:2). Satan has had a field day for over 6,000 years deceiving people into Hell.

"In whom the god of this world hath blinded the minds of them which believe not, lest the light of the glorious gospel of Christ, who is the image of God, should shine unto them." (2 Corinthians 4:4)

This old Earth and the atmosphere above it will be cleansed by fire, and renovated as created new.

"For, behold, I create new heavens and a new earth: and the former shall not be remembered, nor come into mind." (Isaiah 65:17)

a. **The Lost.** Something to keep in mind: ALL the lost that ever lived on this Earth are now in "Hades," or the Lake of Fire.

The lost have been suffering in the flames of Torment all these thousands of years. Now they are hauled up to stand before the Great White Throne. Perhaps rumors of false hope, perpetrated by Satan's lies, flash through the multitude standing there awaiting their final judgment. "Are we getting a second chance?" "Maybe there is a Purgatory after all." Soon they realize, they should have accepted Christ while they were living. Now, it is forever too late, as they realize, there is no Purgatory!

b. **The Saved.** All of the saved have their resurrected bodies and possess no old sinful nature. The 144,000 witnesses, along with all the saved that were born during the Millennium, along with the others that entered from the Tribulation Period, will still be in their physical bodies. They will, at this time, be given a new, resurrected body, without the old sin nature, to enjoy the New Heavens and New Earth. The reason is described in 1 Corinthians 15:50.

"Now this I say, brethren, that flesh and blood cannot inherit the kingdom of God; neither doth corruption inherit incorruption." (1 Corinthians 15:50)

2. Revelation 20:12.

"**The dead, small and great, stood before God.**" Your achievements on Earth, whether president of a nation, senator, congressman, state governor, mayor, president of a bank or company, etc., were for your benefit only. You are here at this judgment because you rejected Jesus Christ as your Savior.

a. **The Books.** (Plural) These books have everything you have ever thought; or done with your life while on Earth. God knows everything about every person.

“...and is a discerner of the thoughts and intents of the heart.”
(Hebrews 4:12b)

“Neither is there any creature that is not manifest in his sight: but all things *are* naked and opened unto the eyes of him with whom we have to do.” (Hebrews 4:13)

“...for I know the things that come into your mind, every one of them.” (Ezekiel 11:5b)

b. **They “were judged out of those things which were written in the books according to their works.”** These books are not recorded for God’s memory; but for yours, to resurrect things you have forgotten. The time and date of every act and thought, including every time a Christian loved you enough to witness to you about Christ; but, you continually rejected their witness. This judgment is to determine what degree of punishment you suffer in the Lake of Fire and Brimstone for all eternity.

c. **The Book of Life.** The Book of Life has the name of every person ever born in it, from the time of conception. It does not deal with your works; but, only the opportunities you had to be saved. You had rejected them until you died. At that moment, your name was blotted out of the Lamb’s Book of Life, and that is the reason you are here at the Great White Throne Judgment.

“Add iniquity unto their iniquity: and let them not come into thy righteousness. (V.27)

Let them be blotted out of the book of the living, and not be written with the righteous.” (Psalm 69:27-28)

The saved will never have their names removed.

“He that overcometh, the same shall be clothed in white raiment; and I will not blot out his name out of the book of life, but I will confess his name before my Father, and before his angels.” (Revelation 3:5)

Satan has instilled into the minds of many people that, if their good works outweigh their sins, they will be saved. “Overcome” makes Satan and his ministers liars in 1 John 5:4,5.

“For whatsoever is born of God overcometh the world: and this is the victory that overcometh the world, *even* our faith. (V.4 Who is he that overcometh the world, but he that believeth that Jesus is the Son of God?” (V.5)

3. Revelation 20:13.

There is a resurrection of the bodies of the lost, as well as the saved.

"And have hope toward God, which they themselves also allow, that there shall be a resurrection of the dead, both of the just (saved) and unjust (unsaved)." (Acts 24:15)

a. **"...The sea gave up the dead..."** This is in reference to their bodies, not their true being; i.e., the soul and spirit.

"For as the body without the spirit is dead,..." (James 2:26a)

Remember, all of these are the unbelievers, the lost that had gone to "Hades" (Hell), and were very much alive in their spiritual bodies. "The sea" lets us know that is where their bodies are, whether cremated; embalmed, killed in war and never found, etc. They will have a resurrected body at this judgment which will never burn up and die from the flames of Hell. Therefore, they will suffer their torment for all eternity.

I recall when I was on the Police Department, I was called to investigate a young boy who was burned over three-fourths of his body and did not have long to live. At the hospital, I went in to see the boy and the nurse advised me that he will let out a scream of pain now and then. His screams sent chills down my spine! He died shortly thereafter, and there was no more pain or screams. This is unlike those in Hell, as the pain will never stop and the resurrected body will never die.

b. **"...Death and Hell ("Hades") delivered up the dead..."**

Death. This is physical and spiritual death. They had to die physically in order to go to "Hades;" because they were spiritually dead by rejecting Christ as their Savior. "Hades" is the temporary abode of all the lost from Creation to the Millennium; until they are brought up to the Great White Throne Judgment. Here, their works are judged for degrees of punishment.

4. Revelation 20:14.

"And death and hell were cast into the lake of fire. This is the second death." (Revelation 20:14)

This death is two-in-one, by the same person. This person died physically and spiritually without Christ. Hebrews 9:27 tells us that a person only dies once; and, then the judgment as to where they go; Heaven, or Hell ("Hades").

"And as it is appointed unto men once to die, but after this the judgment:"

Therefore, you can only die once as a lost person. Now, since Hell ("Hades") the temporary abode of the lost is cast into the Lake of Fire, it has now become non-existent.

A person cannot die twice, spiritually; therefore, one cannot ever redeem themselves out of the Lake of Fire and Brimstone for a second chance, as some people and preachers claim.

5. Revelation 20:15.

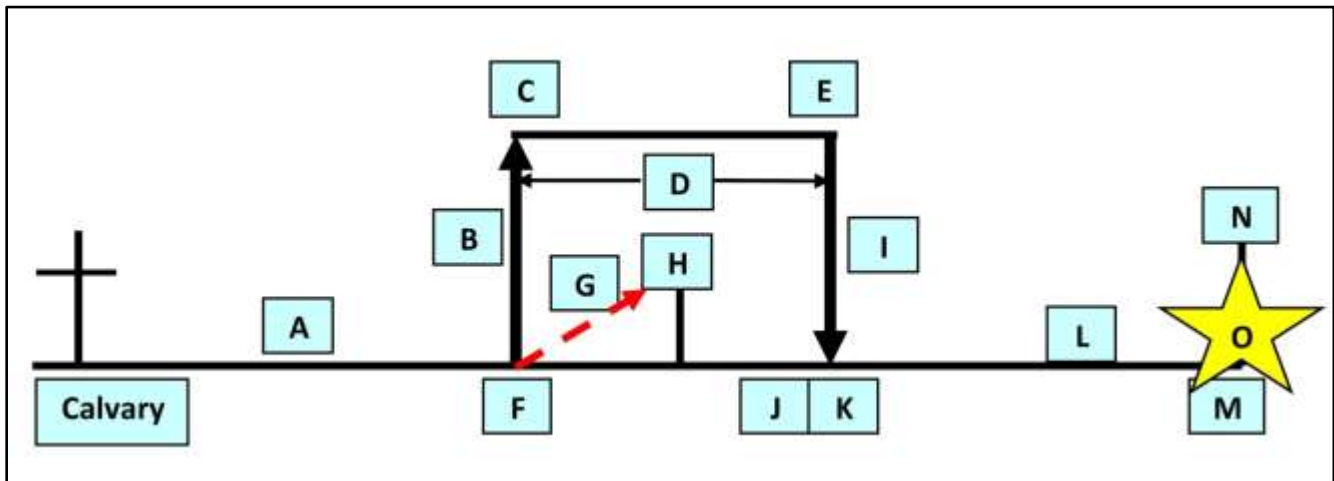
Their names were in the Book of Life until they died without accepting Christ as their Savior. Their names are not re-registered a second time for a second chance. At death their destiny is sealed, forever!

“Then shall he say also unto them on the left hand, Depart from me, ye cursed, into everlasting fire, prepared for the devil and his angels:”
(Matthew 25:41)

This is the end of Satan’s children (unbelievers) ever associating with God’s children again. This is a welcome sight to every Christian as their desire is realized. All Christians will be praising the Lord’s judgment; as, their resurrected body does not contain the old nature with its faulty thinking!

“Let the sinners be consumed out of the earth, and let the wicked be no more. Bless thou the Lord, O my soul. Praise ye the Lord.” (Psalm 104:35)

We are now ready to move on to the New Heavens and the New Earth.



THE NEW HEAVENS AND THE NEW EARTH: STAR “O”

The Scriptures: Revelation 21:1; 2 Peter 3:13.

“And I saw a new heaven and a new earth: for the first heaven and the first earth were passed away; and there was no more sea.”
(Revelation 21:1)

“Nevertheless we, according to his promise, look for new heavens and a new earth, wherein dwelleth righteousness.” (2 Peter 3:13)

A. Is This Present Earth Going to Be Renovated or Annihilated?

Notice the last part of Matthew 28:20.

“...and, lo, I am with you alway, even unto the END OF THE WORLD.”

It is important to acknowledge the three Greek words translated “world” in our English language and their meanings.

1. **Greek, “KOSMOS.”** The primary meaning is, “adornment, embellishment, etc., and refers to God’s beautiful creation. We get our English word, cosmetics, from this Greek word. In 1 Peter 3:3 concerning women, the Greek “KOSMOS” is appropriately translated “adorning.”

“Whose adorning (kosmos) let it not be that outward adorning of the plaiting of hair, and of wearing of gold, or of putting on of apparel.”

Notice 2 Peter 3:6 reference the Flood.

“Whereby the world (Gr. kosmos) that then was, being overflowed with water, perished.”

The word “**perish**” in this verse is also translated “**destroy**” in other places. The Greek word is “apollumi,” and is not referring to extinction; BUT, rather, ruin, loss—not of being, but of well-being—whether applying to Planet Earth or human beings. In other words, just as “kosmos” is in reference to the beautification of God’s Earth, or the adornment (Gr. “kosmos”) of a woman with cosmetics. It is in reference to the exterior, not the whole of the Earth itself.

This is also in perfect accord with the word “**perished**” in 2 Peter 3:6. Therefore, the beautiful *exterior*, along with mankind, was destroyed or perished by the Flood; BUT, not the Earth, itself.

2. **Greek, “AION.”** This Greek word is our English word “AEON” or spelled as “EON.” This is a transliteration from the Greek to our English. It is used as “an end of an era, or age, or dispensation of time, or as an order of things.” “Aion” is translated as “**world**” in Matthew 28:20, but should be translated “AGE.” In other words, the last half of the verse would properly read,

“...I am with you always, even unto the end (consummation) of the world (i.e. age).”

3. **Greek, “GE.”** This Greek word is used in reference to the Earth or ground, “the terrestrial globe.” It is translated as “**earth**” in Matthew 13:5 and “**ground**” in Verses 8, 23. Notice the Greek “ge” is brought into our English, being the first syllable of our English words: Geography, Geophysics, Geometry, etc.

Now, referring back to Revelation 21:1 in reference to the words, “**passed away**” concerning the First Heaven and First Earth. “**Passed away**” is translated as such from the Greek word, “PARERCHOMAI.” “PARA” means “from” and “ERCHOMAI” means “by.” Literally, the Greek word means, “to pass by or pass away.” Notice in Mark 13:31, “**Heaven and earth shall pass away...**” (Greek, PARERCHOMAI). This primary meaning is not “annihilation or extinction;” BUT, rather, “a change from one place, or kind, or situation to another.” In other words, this earth is going to pass from its present condition, undergoing a vast change and a tremendous remolding or renovation.

At the end of the Millennial Reign of Christ on this Earth, the Great White Throne Judgment for the lost will occur. All the lost are cast into the Lake of Fire (Revelation 20:14,15), along with Satan (Revelation 20:10), for all time and eternity. Then, God will remodel this old Earth into a New Earth to be inhabited by only the saved in their resurrected bodies. It will, therefore, be completely free from sin, sorrow, and death.

“And God shall wipe away all tears from their eyes; and there shall be no more death, neither sorrow, nor crying, neither shall there be any more pain: for the former things are passed away.” (Revelation 21:4)

While we are on this subject, may I briefly point out that there is another **“regeneration”** or “rebirth” concerning this old world. This will be in effect all during the Thousand-Year Reign of Christ in His Kingdom here on Earth, PRIOR to the New Heavens and New Earth.

Notice in Matthew 19:28,

“...Verily I say unto you, That ye which hath followed me (Christ) in the REGENERATION (i.e., in Christ’s reign on earth for a thousand years), when the Son of Man shall sit in the throne of his glory...”

The Greek word for **“regeneration”** is “PALIN-GENESIA.” “Palin” means “again” and “genesis” means “birth.” Spiritually applied, it is a new birth in Jesus Christ, when one accepts Him as their personal Savior. As applied to the Kingdom in Matthew 19:28, the Kingdom will be a *new birth* from what it was. In other words, **“regeneration”** will literally mean that the Earth will run under the absolute authority of Jesus Christ for a thousand years. This is in contrast to the way unregenerate man has ruined it by orchestrating his philosophy, instead of God’s principles for the last 6,000 years.

Notice in Acts 3:19-21,

“Repent (Greek-“change your mind”) ye therefore and be converted, that your sins may be blotted out, when the times of refreshing shall come from the presence of the Lord; (V.19) And he shall send Jesus Christ, which before was preached unto you: (V.20) Whom the heaven must receive unto the times of RESTITUTION of all things, which God hath spoken by the mouth of all his holy prophets since the world began.” (V.21)

The word “RESTITUTION” is the Greek “apokatastasis.” (From “apo” meaning “back again” and “kathistemi,” meaning, “to set in order.”) In other words, the Kingdom will be set in order according to God’s word, as spoken by the prophets; some of which include the following:

1. There will be peace in the animal kingdom. (Romans 8:19-22; Isaiah 11:6-8).
2. The Earth will be full of the knowledge of the Lord. (Isaiah 11:9).
3. The desert shall produce. (Isaiah 35:1).
4. Three nations: Egypt, Assyria, and Israel, resurrected in a day; all will serve the Lord (Isaiah 19:23-25).
5. The Dead Sea will be healed. (Ezekiel 4:1-12; note: the “sea” in V.8 is the Dead Sea.).
6. The Temple in Jerusalem will be rebuilt. (Ezekiel 41; Zechariah 6:12, 13).
7. The City of Jerusalem will be rebuilt. (Jeremiah 31:38 and 30:18).
8. Christ will sit in the Holy of Holies. (Zechariah 6:12, 13).

These are just a handful of the myriads of prophecies that will be in fulfillment; and, fully justify the words **“regeneration”** and **“restitution of all things.”** The main difference between the Millennium and the **“New Earth”** is:

1. In the Millennium there will be sin present in unbelievers. Sin will not be allowed to display itself; such as murder, theft, adultery, rape, kidnapping, molestation, etc.

2. In the New Heavens and Earth there will be no sin, since all Christians will be void of the old sin nature which was done away with when they received their new, glorified bodies. (Philippians 3:20, 21).

All of these wonderful things: the New Heavens, the New Earth, and the New Jerusalem, will be enjoyed by those who have accepted the Lord Jesus Christ as their personal Savior. Not so with the lost. They will be cast into the Lake of Fire for all eternity.

“...Believe on the Lord Jesus Christ, and thou shalt be saved...” (Acts 16:31)

...from eternal damnation!

“Verily, verily, I say unto you, He that heareth my word, and believeth on him that sent me, hath everlasting life, and shall not come into condemnation; but is passed from death unto life.” (John 5:24)

The Christian has everything wonderful to look forward to in the future. Spending a 1,000 years with the Lord Jesus Christ in His earthly reign; then onward to the New Heavens and the newly remodeled Earth for all eternity. What a wonderful Savior we have!

SECTION FOUR

I. THE CITY OF BABYLON

II. BABYLON, THE ONE-WORLD RELIGIOUS SYSTEM

HEADLINES FROM BABYLON

A Triage to Save the Ruins of Babylon

New York Times ● By: Steven Lee Meyers ● Published: January 2, 2011

The fate of Babylon is already being disputed by Iraqi leaders, with antiquities officials clashing with local authorities over when to open it to visitors and how to exploit the site for tourism...Even now they are clashing over whether the admission fee should go to the antiquities board or the provincial government...

Mr. Allen, who oversees the fund's work, said the preservation of Babylon would require collaboration among competing constituencies that is extremely rare amid Iraq's political instability. "We're looking at the **economic opportunities** and viability for local people. They need to see something out of this site. (Money!)

Attack on Ancient Babylon

CBS News ● September 24, 2009 ● 10:11 AM

UNESCO aims to make the 4,000-year-old city (Babylon) fit for the coveted title of World Heritage site, and will work to enforce international conventions on the protection of historic sites "so that what happened to Babylon can't ever happen again," ...Archaeologist John Curtis of the British Museum, who inspected the site just after it was returned to Iraqi control and it was too soon to assess the cost of restor-

ring and fully protecting the site...Several initiatives to save Babylon have been announced in recent years, but have made little headway. Now, with the decline of violence in Iraq, hopes are pinned on a two-year, \$700,000 project financed by the U.S. State Department to develop a program aimed at balancing tourism and archaeology at Babylon.

Unesco Intends to Put the Magic Back in Babylon

The New York Times ● By Jeffrey Gettleman ● Published: Thursday, April 13, 2006

BABYLON, Iraq — In this ancient city, it is hard to tell what are ruins and what is just ruined. Babylon, the city with the million-dollar name, has paid the price of war. It has been ransacked, looted, torn up, paved over, neglected and roughly occupied...But Iraqi leaders and UN officials are not giving up on it. They are working to restore Babylon, home to the Hanging Gardens, one of the Seven Wonders of the Ancient World. They want a cultural center and even an Iraqi theme park. Hilla's mayor, has big plans for Babylon. "I want restaurants, gift shops, long parking lots," he said. "God willing," he added, "maybe a Holiday Inn."

The UN Educational, Scientific and Cultural Organization (**UNESCO**) is pumping millions of dollars into Babylon and other sites. It has even printed a snazzy brochure to give to wealthy donors. "Cultural tourism could become Iraq's second biggest industry, after oil," explained a United Nations official helping with the project...

The Future of Babylon Project is a partnership of the World Monuments Fund, a New York-based non-profit organization, and Iraq's State Board of Antiquities.

I. THE CITY OF BABYLON

A. Babylon Is In Existence Now: Babylon Must Be Existing Before the Rapture.

We often say there are no more Bible prophecies to be fulfilled before the Rapture. Israel must be in the Land of Israel, and so she has been since May 14, 1948. The Bible also mentions the city of Babylon over 280 times. many in reference to the Babylon of the Tribulation Period.

“And Babylon, the glory of kingdoms, the beauty of the Chaldees' excellency, shall be as when God overthrew Sodom and Gomorrah.”
(Isaiah 13:19)

Often overlooked is that the city of Babylon must be in existence, as well. Why? Because that is what God says. “Babylon” is referenced in the Book of Revelation 8 times. Once it is in reference to “RELIGIOUS BABYLON,” or the One-World Religious System, and found in Revelation 17:5.

“And upon her forehead *was* a name written, MYSTERY, BABY-LON THE GREAT, THE MOTHER OF HARLOTS AND ABOMINATIONS OF THE EARTH.” (Revelation 17:5)

The other seven times it is referring to COMMERCIAL BABYLON, the city. (See Revelation 14:8; 16:19; 18:1,2, 9-10,21)

Not only must Babylon exist; it must be “up and running” to serve as the capital of an economic empire that has a stranglehold on the world. This cannot be done in just a few days' time, as we have said. The Bible mentions Babylon over 280 times, many in reference to the Babylon of the Tribulation Period.

“And Babylon, the glory of kingdoms, the beauty of the Chaldees' excellency, shall be as when God overthrew Sodom and Gomorrah.”
(Isaiah 13:19)

The location of Sodom and Gomorrah and the other three “**cities of the plain**” are not known with certainty. Babylon, though badly deteriorated, is still in existence; having had some rebuilding done on top of the ancient ruins by former dictator, Saddam Hussein. One of his palaces is built on the ruins of Nebuchadnezzar's palace.

Al-Hillah, pictured on the next page, is a city within the ruins and is the capital of Babylon Province. It has about 540,000 inhabitants (2005 estimate) and is located on the Al Hillah stream, the eastern branch of the Euphrates river about 110 km south of Baghdad. The economy of Al-Hillah is based upon being a river port, and grain market. It is built on the site of where archaeologists believe Nebuchadnezzar's Hanging Gardens were located.

It is the Provincial Capital of BABYLON (Also called Babil in Arabic) Province.

Al-Hillah, Iraq



29. Random Pictures of Al-Hillah, Iraq.

Top: Left to Right, Bab AL Hussein Bridge, (Rebuilt) Ishtar Gate, Babil Neighborhood, Babil Resort, Ale'tiba'a Street.

(Note: "Babil" is Arabic for "Babylon.")

Some will question that the world's leaders will meet in Babylon, after the Rapture; as they doubt that there has ever been a world summit in a Muslim country. Actually, before World War II, the Allies, Roosevelt, Stalin, and Churchill met in Tehran, Iran. Also, Churchill held another in Cairo, Egypt. (Picture Right)



If Anwar Sadat (a Muslim) would go to Jerusalem for peace; the leaders of Israel will not hesitate to go to Babylon for peace.

30. Roosevelt, Stalin, Churchill in Tehran, Iran.

On Wednesday, November 9, 1977, Anwar Sadat, president of Egypt, told Egypt's Parliament: "Israel would be astonished when they hear me say this. But I say it. I am ready to go even to their home ... to the Knesset (Israeli Parliament) and discuss peace with them if need



31. Anwar Sadat and Mechachem Begin

be." On November 19, Anwar Sadat flew in to Israel. He was greeted by the blare of trumpets and a 21-gun salute in a formal airport welcome by Menachem Begin, Israeli President, and many past and present Israeli leaders.

Sadat later told the Knesset during his same visit, "I WISH TO TELL YOU TODAY AND I PROCLAIM TO THE WHOLE WORLD: WE ACCEPT TO LIVE WITH YOU IN A LASTING AND JUST PEACE." Israel would

go anywhere and meet with anyone who could offer peace.

Babylon, will be serving as the capital of the Antichrist's World Federation of Nations; and, will exert economic and religious control over **“peoples, and multitudes, and nations, and tongues.”** (Revelation 17:15) Babylon has deteriorated; but, has never ceased to exist. It must exist as a city for God to destroy it during the Tribulation Period. It is described by God as a “Mega-city.” It cannot become a mega-city in a matter of days.

1. Revelation 18:2. “Babylon the GREAT is fallen...”

Babylon is a great city where people live. The word “great” is the Greek word “megas,” and means: “big (literal or figurative, in a very wide application). Compare “megisto” superlative of (megas); which means “greatest or very great :- exceeding great.” In other words, COMMERCIAL Babylon, with the help of RELIGIOUS Babylon had become a “mega-city.” Before her destruction, God warns believers as he did Lot before the destruction of Sodom and the other four cities of the plain. “...COME OUT OF HER, MY PEOPLE...” (18:4)

a. **Revelation 18:17. “...as many as trade by sea...”** This verse has led many Bible scholars to say that Commercial Babylon must be a port city. However, they forget that Iraq (location of Babylon) is one of the three most oil rich countries in the world. They also fail to consider the length and carrying capacity of oil pipelines.

It is 330 miles from Baghdad to Kuwait City on the Gulf vs. 822 miles for the Trans-Alaska Pipeline from Prudhoe Bay to Valdez in Alaska. There are 104 airports in Iraq and, of course, at this writing, Baghdad International is in the Green Zone (Headquarters of the U.S. Military). The reported U.S. Troop strength (minus numbers for support personnel) is 45,000, down from 152,000 in 2007. Somehow, the military was able to provide supplies for all military in that country. Ships carrying cargo for trade will have no problem transporting their goods to and from Babylon.



32. Smoke Billows From Kuwait Oil Fires

b. **Revelation 18:17, 18.** “...and all the company in ships...cried when they saw the smoke of her burning...” It is now known that smoke from the Kuwait Oil Fires dominated the weather pattern throughout the Persian Gulf and surrounding region during 1991, and that lower atmospheric wind blew the smoke along the eastern half of the Arabian Peninsula, and cities such as Dhahran and Riyadh, and countries such as Bahrain experienced days with smoke that filled the skies and carbon fallout. (Patrick K. Dowling. "The Meteorological Effects of the Kuwait Oil Fires").

c. **Conclusion:** Babylon, even in its present location, does not have to be a port city any more than Atlanta, Georgia, needs to be a port city! Therefore, it is not Rome; or, New York City; or, any other city. It is literal Babylon. That is “**Thus saith the Lord.**”

2. Revelation 16:12-19. Babylon Exists at The Time of Armageddon.

The great city of Babylon will exist after the middle of the Tribulation and before the Battle of Armageddon. It suffers a great earthquake and is divided into three parts. A city has to exist in order to be destroyed!

B. Where Does the Antichrist Sign the Peace Covenant?

1. The Antichrist Attends the Peace Conference for World Survival, in Babylon!

If the United States is in a state of national chaos, where will the nations of the world meet to formulate the Antichrist’s false treaty of peace with Israel? History will repeat itself and they will convene on what they consider to be beneficial, neutral ground. The Antichrist, indwelt by Satan, and the False Prophet, indwelt by a strong demon, will join them at a place that will seem to offer them the most. Why not Babylon, located in the Middle of the Mid-Eastern oil-producing countries? Without oil, most countries of the world cannot operate; and Iraq, the location of Babylon, has the third-largest oil reserves in the world. By this time, she will have all her infrastructure repaired and will be pumping oil.

You say, “That could never happen!” There has never been a world summit in a Muslim country.” They will go to the place that do them the most good. The Antichrist will be one of the seven leaders of the newly-formed federation of nations. The Antichrist will use flatteries and his oratorical genius to get everyone to sign on to a Peace Covenant with the nation of Israel. They will, no doubt, oversee the COMMERCIAL trade that will prosper all financially. They appoint the False Prophet over all the false religions, now existing after the Rapture, to peacefully practice their religion.

Nothing unites warring people like a common enemy! Not only will there be mass chaos in the United States as the Christians are gone; but, there will be disruption of all kinds worldwide. The Four Seals are opened immediately. War breaks out, financial systems break down, famine quickly intensifies, and wild beasts begin to kill men due to lack of natural food. A fourth part of the population of the world will die as a result.

“...but he shall come in peaceably, and obtain the kingdom by flatteries.” (Daniel 11:21)

Even though he appears to want peace; during the next 3/12 years, a power struggle for world dominance follows; and, one-by-one, the first six world leaders fall.

We find the Antichrist becomes the leader of the One-World Federation of Nations.

“And there (these) are seven kings: five are fallen, and one is, *and* the other is not yet come; and when he cometh, he must continue a short space. (V.10)

And the beast (Antichrist) that was (alive), and is not (dies), even he is the eighth (is resurrected), and is of the seven, and goeth into perdition.” (Revelation 17:10,11)

The Babylon that exists today is still there. It existed at the time of the Apostle Peter, as he wrote his First Epistle from there.

“The *church that is* at Babylon, elected together with *you*, saluteth you; and *so doth* Marcus my son.” (1 Peter 5:13)

The 1st Marine Division had established a base at one of Saddam Hussein's Palaces about one mile north of Hillah. This also happened to be the historical site of Babylon. The tomb of Ezekiel, the Prophet is located in a nearby village.

Babylon has never been destroyed. At the present, she is not in her glory days; but, at the time of the Rapture, she could be. When the charismatic world leader, Antichrist, and the False Prophet arrive, she will be at her peak.

2. Commercial Babylon Is Destroyed By God at the Battle of Armageddon.

Revelation 18:1. “**And after these things**” is referring to after the destruction of the One-World Church in the previous chapter, Revelation 17; showing the destruction of the mega-city of COMMERCIAL Babylon which happens later, at the Battle of Armageddon.

The membership of the ONE-WORLD RELIGIOUS SYSTEM, which had its world headquarters in the city of Babylon, is destroyed (world-wide) by the Antichrist and his ten kings at the middle of the Tribulation. The COMMERCIAL city of Babylon is destroyed by God at the Battle of Armageddon.

Before Commercial Babylon is destroyed, the Lord warns His people to get out and escape this judgment.

“And I heard another voice from heaven, saying, Come out of her, my people, that ye be not partakers of her sins, and that ye receive not of her plagues.” (Revelation 18:4)

Notice how fast God’s judgment comes. No one can escape after it begins.

a. One Day.

“Therefore shall her plagues come in ONE DAY, death, and mourning and famine;” (Revelation 18:8)

b. One Hour.

“...for in ONE HOUR is thy judgment come.” (Revelation 18:10)

c. One Hour.

“For in ONE HOUR so great riches is come to nought.” (Revelation 18:17)

d. One Hour.

“...for in ONE HOUR is she made desolate.” (Revelation 18:19)

Note: It is important to understand who this False Prophet is. He is a human being that is indwelt with one of Satan’s intelligent and powerful demons. This demon is controlling this man’s mind and body. This man may not even know he is demon-possessed; but, thinking he is doing all this by his own thinking and desires. The same applies to the Antichrist, who is only a man whom Satan indwells, displaying his power and thinking through this man.

The following verses will reveal the wealth this religious and commercial genius has gathered during the last 3 ½ years, as recorded in Revelation 18:9-19,

“And the kings of the earth, who have committed fornication and lived deliciously with her, shall bewail her, and lament for her, when they shall see the smoke of her burning, (V.9)

Standing afar off for the fear of her torment, saying, Alas, alas, that great city Babylon, that mighty city! for in one hour is thy judgment come. (V.10)

And the merchants of the earth shall weep and mourn over her; for no man buyeth their merchandise any more: (V.11)

The merchandise of gold, and silver, and precious stones, and of pearls, and fine linen, and purple, and silk, and scarlet, and all thyine wood, and all manner vessels of ivory, and all manner vessels of most precious wood, and of brass, and iron, and marble, (V.12)

And cinnamon, and odours, and ointments, and frankincense, and wine, and oil, and fine flour, and wheat, and beasts, and sheep, and horses, and chariots, and slaves, and souls of men. (v.13)

And the fruits that thy soul lusted after are departed from thee, and all things which were dainty and goodly are departed from thee, and thou shalt find them no more at all. (V.14)

The merchants of these things, which were made rich by her, shall stand afar off for the fear of her torment, weeping and wailing, (V.15)

And saying, Alas, alas, that great city, that was clothed in fine linen, and purple, and scarlet, and decked with gold, and precious stones, and pearls! (V.16)

For in one hour so great riches is come to nought. And every shipmaster, and all the company in ships, and sailors, and as many as trade by sea, stood afar off, (V.17)

And cried when they saw the smoke of her burning, saying, What *city is* like unto this great city! (V.18)

And they cast dust on their heads, and cried, weeping and wailing, saying, Alas, alas, that great city, wherein were made rich all that had ships in the sea by reason of her costliness! for in one hour is she made desolate." (Revelation 18:9-19)

Babylon must be existing after the Rapture and before the Battle of Armageddon to receive her judgment from Almighty God!

"And the great city was divided into three parts, and the cities of the nations fell: and great Babylon came in remembrance before God, to give unto her the cup of the wine of the fierceness of his wrath." (Revelation 16:19)

Many tourists have carried away bricks from the ruins of Nebuchadnezzar's Babylon. Several of the towns in the surrounding area have been built with bricks with Nebuchadnezzar's imprint on them. When God is through with the Babylon of the Tribulation Period, there will not be a "stone to carry" away!

"And THEY SHALL NOT TAKE OF THEE A STONE FOR A CORNER, NOR A STONE FOR FOUNDATIONS; but thou shalt be desolate for ever, saith the Lord." (Jeremiah 51:26)

After the Battle of Armageddon ends the Tribulation Period, and as the saved of Israel enter the Kingdom, they will be saying.

"In those days, and in that time, saith the Lord, the children of Israel shall come, they and the children of Judah together, going and weeping: they shall go, and seek the Lord their God. (V.)

They shall ask the way to Zion with their faces thitherward, *saying*, Come, and let us join ourselves to the Lord in a PERPETUAL COVENANT THAT SHALL NOT BE FORGOTTEN." (Jeremiah 50:4-5)

Remember, only two cities have to be existing at the time of the Rapture: Jerusalem and Babylon.

"Even so, Come, Lord Jesus..."

II. THE ONE-WORLD RELIGIOUS SYSTEM

A. The First Problem for The World Federation of Nations is: “All The Fighting Religions of the World.”

It seems to be the general thought that, after the Rapture, all these so-called denominations, and hundreds upon hundreds of religious sects will have to worship as one unity; as required by the False Prophet. These are not Christians; or they would have gone up at the Rapture. They are lost people who have rejected Jesus Christ as their Savior; and their numbers will range in the billions. I will demonstrate with a partial listing of these religions.

| | | | | |
|------------------------|-------------|--|-----------------------|--|
| 1. Islam | 1.5 Billion | 9. Zoroastrianism | 2.6 Million | |
| 2. Hinduism | 900 Million | 10. Unitarian | 800,000 | |
| 3. Chinese Traditional | 394 Million | 11. Scientology | 500,000 | |
| 4. Buddhism | 376 Million | 12. Catholic Organization | 1.2 Billion (in 2010) | All three teach water baptism for Salvation. |
| 5. Spiritism | 15 Million | 13. Lutherans | 65 Million | |
| 6. Sikhism | 23 Million | 14. Church of Christ (The Disciples of Christ) | 5 Million | |
| 7. Baha’i | 7 Million | 15. Mormons | 14.1 Million | |
| 8. Shinto | 4 Million | 16. African Traditional and Diaspora | 80 Million | |

These are only one “ice cube” out of an iceberg, compared to all the remaining sects, cults, and splinter groups floating around all over the world.

As we have said, it is ludicrous to think that the Muslims are going to abandon Allah, their God; and, Mohammed, their prophet, when they will kill you for burning their Koran. The Catholics are not going to abandon their Pope, priests, and Mary worship without a fight! Nor will the Lutherans abandon their god, Luther. There are thousands of religious sects who will not abandon their faith for a generic God of a One-World Church. This is both impossible and unreasonable!

The seven heads of nations, who unite as the World Federation of Nations, put a plan into effect immediately to appease these religions. The Antichrist, who is one of these seven men, all agree to make a peace covenant with Israel; (which is made up of all religious; but, lost, Jews) allowing them to put up a Temple and worship as they wish. And this they will do; being

content and happy. This would be an example for the False Prophet to follow. Remember, the False Prophet is a human being who is indwelt by a powerful demon, who is permitted by God to do great miracles. This powerful demon will be one of Satan's top generals. Satan is a spirit being who also indwells a man, the Antichrist, through which he can exercise his thoughts and display his miracles.

Immediately after the Rapture, a group of high officials will meet. How many more than seven, we are not told. It could be limited to seven, no one knows. We will, for future reference, refer to the group as the "One-World Federation of Nations," composed of seven world leaders.

Upon convening, they face two enormous problems: one of these is concerning all of these different religious sects and denominations, located all over the world, to keep them from fighting each other. The other problem is political; but, more important at the moment, is the commercial aspect of the economy; or what is left. God puts into their minds to deal first with the religious problem. So, they reason that to secure peace they will start with Israel; therefore making a covenant with the Jews; promising them peace, and permission to rebuild their Temple and worship as they please. This will keep them happy and busy. Not only did it work for the Antichrist, who is one of the seven; but, also will fulfill God's prophetic Word.

"And he shall confirm the covenant with many for one week: and in the midst of the week he shall cause the sacrifice and the oblation to cease, and for the overspreading of abominations he shall make *it* desolate, even until the consummation, and that determined shall be poured upon the desolate." (Daniel 9:27)

Note: This meeting after the Rapture is held in Babylon, where these seven will form a league we have labeled as the "One-World Federation of Nations." They will next appoint a demon-possessed man to implement a peaceful system for all churches, who is described in Scripture as the False Prophet. He is demon-possessed by one of Satan's top generals. He is instructed to follow the example of the Covenant that was made with Israel. His headquarters will also be in Babylon as he will be the administrator of the One-World Religious System.

The False Prophet is now turned loose as the god of administration over all the remaining religions and sects in the world. By satellite, television, and internet viewing, his instructions for all religions will be as follows:

"I have been appointed as God of the Administration for Peace for all religions. Therefore, every religion is permitted to worship where they are located and to whatever god they wish; or, however they wish. I represent the World Federation of Peaceful Nations; and this is their desire for everyone; however, there is only one restriction. That restriction will be enforced with the death penalty for any individual, group, or sect; should it be violated. The restriction is this.

No individual, group, denomination, or sect will be permitted to harass, proselyte, or interfere in any way with another religion.” (The penalty is death, with no probation.) I want you to worship in peace, and live in peace in honor of my goal in representing the World Federation of Peaceful Nations.”

With this being established, we will immediately be orchestrating a commercial trade business with many nations; which you will be privileged to be involved in; and which will prosper you financially. By doing your part, you will enjoy a utopian world, provided by the World Federation of Peaceful Nations.”

Signed: False Prophet

Now that all the religions of the world are taken care of and supervised by their administrator, the False Prophet; the One-World Federation of Nations can focus entirely on commercial trade. This will also involve the False Prophet, who will be busy getting the world’s religions involved in the business of world marketing. This will prove very profitable.

The headquarters for all world trading will be in Babylon. Ships will be steaming all over the world into various ports, as directed by the False Prophet out of Babylon. In a very short time world trade will develop, and continue to grow and prosper, as described in Revelation 18:3.

“For all nations (America is included.) have drunk of the wine of the wrath of her fornication, and the kings of the earth have committed fornication with her, and the merchants of the earth are waxed rich through the abundance of her delicacies.” (Revelation 18:3)

This continues for 3 ½ years and everyone seems to be prospering; except those that were saved after the Rapture.

Note: These will not join any of the false religions; therefore, they will be labeled as renegades, in opposing these so-called “peaceful” religions. They are labeled as trouble-makers and enemies of the False Prophet and the One-World Federation of Nations.

This one-world religious system is a blood-thirsty organization, as it is allowed by the False Prophet, who directs it, to kill the Christians it finds. The excuse will be, “These are just like the trouble-makers who disappeared (those who were taken at the Rapture), and they must be eliminated.

All the religions, world-wide, will be allowed to exterminate any of these they come across, by permission of the False Prophet and the Council of the World Federation of Nations. The 144,000 and the Two Witnesses are exempt, as they have God’s seal of protection upon them.

“And I saw the woman drunken with the blood of the saints, and with the blood of the martyrs of Jesus: and when I saw her, I wondered with great admiration.” (Revelation 17:6)

"And when he had opened the fifth seal, I saw under the altar the souls of them that were SLAIN FOR THE WORD OF GOD, AND FOR THE TESTIMONY WHICH THEY HELD: (V.9)

And they cried with a loud voice, saying, How long, O Lord, holy and true, dost thou not judge and avenge our blood on them that dwell on the earth?" (Revelation 6:9-10)

This is the reason they will be killed in the first 3 ½ years after the Rapture; not for receiving the mark, 666, as that is not in effect until the middle of the Tribulation. These left the Earth of the dying to join the Heaven of the living. These know very well what is transpiring on the Earth. They pray for revenge against the Lord's enemies.

The collective name given all these apostate churches with their headquarters in Babylon; under the jurisdiction of the False Prophet, is given in Revelation 17:5,6.

"And upon her forehead *was* a name written, MYSTERY, BABYLON THE GREAT, THE MOTHER OF HARLOTS AND ABOMINATIONS OF THE EARTH. (V.5)

And I saw the woman drunken with the blood of the saints, and with the blood of the martyrs of Jesus: and when I saw her, I wondered with great admiration." (Revelation 17:5-6)

This will take place for approximately 3 ½ years after the Rapture; until the Antichrist breaks his covenant with Israel and declares himself to be the only God to be worshipped.

"Who opposeth and exalteth himself above all that is called God, or that is worshipped; so that he as God sitteth in the temple of God, shewing himself that he is God." (2 Thessalonians 2:4)

This also breaks his peace covenant with all the other religious organizations in the world. The Antichrist then picks out ten of his best demon-possessed men.

"And the ten horns which thou sawest are ten kings, which have received no kingdom as yet; but receive power as kings one hour with the beast." (Revelation 17:12)

Power is assured them and each is appointed a kingdom over one-tenth of the whole earth. After their appointments, "...**God hath put in their hearts to fulfill his will...**" (Revelation 17:17a)

"And the ten horns which thou sawest upon the beast, these shall hate the whore, and shall make her desolate and naked, and shall eat her flesh, and burn her with fire. (V.16)

For God hath put in their hearts to fulfil his will, and to agree, and give their kingdom unto the beast, until the words of God shall be fulfilled. (V.17)

And the woman which thou sawest is that great city, which reigneth over the kings of the earth." (Revelation 17:16-18)

The Ten Kings and their kingdoms now rule the world under the direction of the Antichrist. They are ordered to destroy, or burn, every synagogue, temple, cathedral, shrine, or place of worship. The only way their members can escape death is to take the Antichrist's number, 666, on their hand or forehead.

"...AND CAUSE THAT AS MANY AS WOULD NOT WORSHIP THE IMAGE OF THE BEAST (ANTICHRIST) SHOULD BE KILLED. (V.15b)

And he causeth all, both small and great, rich and poor, free and bond, to receive a mark in their right hand, or in their foreheads: (V.16)

And that no man might buy or sell, save he that had the mark, or the name of the beast, or the number of his name." (Revelation 13:15b-17)

B. A Problem Soon Eliminated: Religious Babylon Will Be Destroyed First.

The city of Babylon, itself, is not destroyed at this time. What is destroyed are the people who do not give up their religious beliefs. The Antichrist will drop his false betrayal of himself as a peacemaker; and he will go after the followers of these religions the same way he does those who do not take his mark, "666." All the people of all these religions will have to now take the mark, 666, or be killed.

There are many mosques, temples, shrines, synagogues, holy places, and church buildings, world-wide, which belong to the one-world religious system.

"And he saith unto me, The waters which thou sawest, where the whore sitteth, are peoples, and multitudes, and nations, and tongues." (Revelation 17:15)

God is in complete control of the affairs of this world. Everything goes according to God's plans for the future.

"And the ten horns which thou sawest upon the beast (Antichrist) , these shall hate the whore, and shall make her desolate and naked, and shall eat her flesh, and burn her with fire. (V.16)

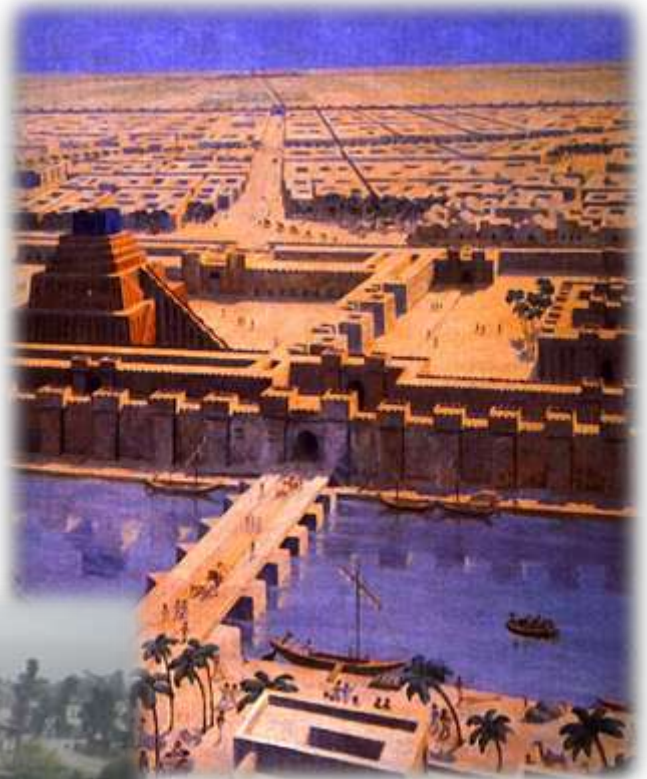
FOR GOD HATH PUT IN THEIR HEARTS TO FULFIL HIS WILL, AND TO AGREE, and give their kingdom unto the beast, UNTIL THE WORDS OF GOD SHALL BE FULFILLED. – Revelation 17:16-17

These religions were made up of Christ-rejecting people; or, they would have gone up at the Rapture. The False Prophet has fooled all the religions of the world for 3 ½ years, giving them a false hope and peace. Their end was a premature death, physically; and an eternal home in the Lake of Fire, spiritually.

I wonder how many times these people have been witnessed to, prior to the Rapture; or, by one of the Two Witness, or 144,000 Jews after the Rapture? It puts chills down your back when you think of the first words a lost person will hear after they take their last breath,

**“Then shall he say also unto them on the left hand, Depart from me, ye cursed, into everlasting fire, prepared for the devil and his angels:”
(Matthew 25:41)**

Nebuchadnezzar's Babylon.



Babylon Today.



Babylon, After God's Judgment.



"And they shall not take of thee a stone for a corner, nor a stone for foundations; but THOU SHALT BE DESOLATE FOR EVER, saith the Lord." (Jeremiah 51:25-26)

"And a mighty angel took up a stone like a great millstone, and cast *it* into the sea, saying, Thus with violence shall that great city Babylon be thrown down, and SHALL BE FOUND NO MORE AT ALL." (Revelation 18:21)

BIBLIOGRAPHY

Butler, T. C. (n.d.). Entry for NABOPOLASSAR, Holman Bible Dictionary, <http://www.studylight.org/dic/hbd/>.

McGee. (n.d.). J. Vernon McGee's Thru the Bible .

Pytlik, G. (n.d.). Daniel, God's Messenger For Our Time, <http://www.pytlik.com/observe/daniel/setting/>.

Russell, R. (n.d.). Bible History Online (<http://www.Bible History.com>).

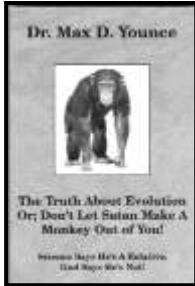
Strong. (n.d.). Strong's Talking Greek & Hebrew Dictionary (Word Search Bible).

Walvoord, J. F. (n.d.). *Major Bible Prophecies*.

Wiersbe's. (n.d.). Wiersbe's Expository Outlines on the New Testament.

Word, V. E. (n.d.). Vine's Expository Dictionary of New Testament Words.

OTHER BOOKS BY THE AUTHOR

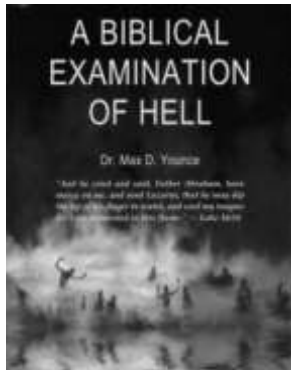
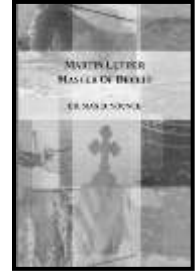


The Truth About Evolution; Or, Don't Let Satan Make a Monkey Out of You!

This book defends Creation vs. Evolution and refutes the False Philosophy and Theory of a Young Earth. Perfect Bound, 248 pages, index to pages outlines all topics covered, indicating location of diagrams and illustrations. Perfect Bound 5-1/2" x 8-1/2", suggested donation is \$8.00 + S/H of \$3.00.

Martin Luther, Master of Deceit

Perfect Bound 5-1/2" x 8-1/2", 277 pages with Scripture Index, Available for a donation of \$8.00 + S/H of \$3.00. Luther did not believe God's Ten Commandments and eliminated the Second one in his Catechisms. Luther absolutely did not believe that salvation was by faith in Christ alone. Each verse Luther uses is examined in detail in this book. You will cringe at what Luther has to say about the Jewish people.

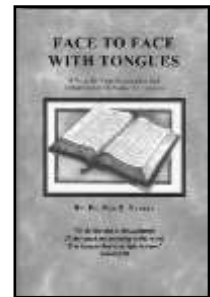


A Biblical Examination of Hell

This book has 7 color diagrams, coded to the text. Perfect Bound 88 pages, 8-1/2" x 11." The suggested donation is \$9.00 + \$3.00 S/H. A Bible study companion, the charts and comments help clarify much misunderstanding concerning the subject of Hell.

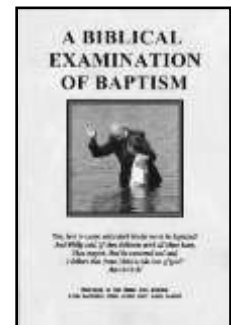
Face To Face With Tongues

Perfect Bound, 5-1/2" x 8-1/2", 123 pages, the suggested donation is \$7.00 + \$3.00 S/H. A verse by verse examination of all the Scriptures concerning the "speaking in tongues," leading to the conclusion this is not for the Church today. Tongues ceased with the completion of God's word, in about 96 A.D.



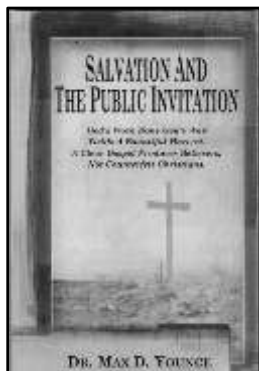
A Biblical Examination of Baptism

Perfect Bound (Paper-back) 5-1/2" x 8-1/2", 88 Pages, suggested donation is \$7.00 + \$3.00 S/H. Covers all the Scriptures about baptism in the New Testament with thorough exegesis as to what baptism really is and what it isn't! This book scripturally refutes infant baptism. Explains the different baptisms taught in the Bible and their purpose.



Salvation And The Public Invitation

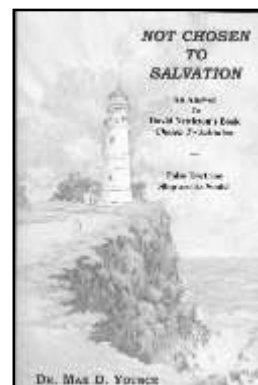
Perfect Bound (Paper-back), 5-1/2" x 8-1/2", 128 Pages, the suggested donation is \$7.00 + \$3.00 S/H. This book challenges a long held tradition of many churches. Do you have to walk to the front of a church to be saved; or, is it just another tradition that has crept into the church. This book will challenge you to cast aside preconceived ideas and search the Scripture for yourself.



Not Chosen to Salvation

Perfect Bound (Paper-back). 5-1/2" x 8-1/2", 196 Pages, suggested donation is \$8.00 + \$3.00 S/H. This book is a refutation of David Nettleton's book, Chosen To Salvation. It covers all

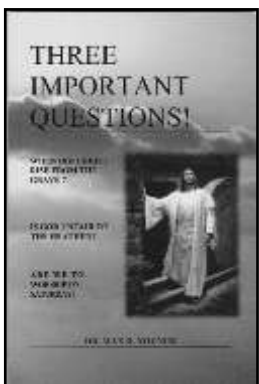
the Scriptures relating to the false doctrine of predestination for salvation, providing the reader with tools for witnessing. This evil doctrine and is nothing less than an attack on the Grace of God. Scripture Index in the back.



Three Important Questions!

Perfect Bound (Paper-back) 5-1/2" x 8-1/2", 98 pages. The suggested donation is \$7.00. + \$3.00 S/H.

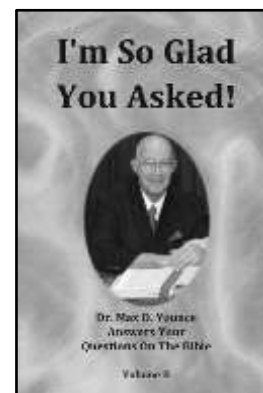
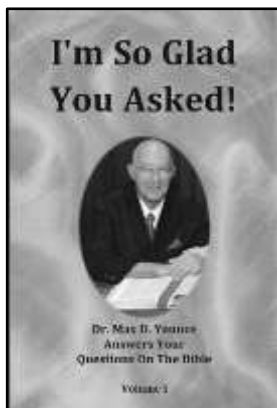
Question One: When Did Christ Rise From The Grave? This chapter has two diagrams, refuting the fallacies of Good Friday and Easter Sunday. Diagram A illustrates the twenty-four hours before the Crucifixion. Diagram B is a time chart of the events during the trial and crucifixion of Christ, with an explanation. Other topics“ The Illegal Trial of Jesus; ”Order of Events After the Crucifixion;” “Explanation of Luke 24:21” Many difficult Scriptures are examined and explained. **Question Two:** Is God Unfair To The Hea-then? **Question Three:** Are We To Worship On Saturday?



I'm So Glad You Asked! A Two Volume Set

Perfect Bound (Paper-back). Volume I has 299 pages, Volume II has 305 pages. The suggested do-nation for the set is \$16.50 + \$3.50 S/H.

This two volume set is a collection of most of the Questions & Answers found on the web site, <http://www.heritagebbc.com>. They are arranged alphabetically as to topic; and then numerical-ly. The shorter articles are concise answers to questions people have asked. The longer articles are on the subject of Bible Doc-trine and issues of the day, and require more lengthy answers.



HOW TO ORDER BOOKS

The Suggested Donations Are For Shipping and Cost Only!
Please send your check or money order and your book list to:

Heritage Baptist Bible Church
Attn: Internet Book Order
P.O. Box 573
Walnut Grove, MN 56180
Telephone: 507-859-2519

SOURCE OF ILLUSTRATIONS

Pg. 34: “History Written in Advance...” http://www.specialtyinterests.net/daniel_image_printable.html

Pgs; 26,44: *Daniel's Answer to the King* by Briton Rivière (reusable media from Wikipedia Commons. Used twice. Pg. 44 (John Image – “iamthewordthecomforterblogspot.”

Pgs. 25,34: The “Four Beasts” (freewebs.com/vickykamalmaurya/antichrist.html)

Pg. 46: “Three Nations Making Up the Medo Persian Empire,” *History of the Empires in Bible Prophecy*, teachinghearts.com

Pg. 211:Map of Israel as a Divided Kingdom (Accordance Bible Software)

Pg. 174: “Map of the Roman Empire at Its Greatest Extent.” Large Map, Licensed as reusable (Wikipedia Commons. The author of this image is Wikipidia user Cogito ergo sumo. <http://www.worldmapcenter.com/tag/outline-political-world-map/> The inset of the Roman Empire in 210 AD. is from Wikimedia. Date (March 2009. Source, Own work (Author Coldeel (talk) 23:05, 26 March 2009 I, the copyright holder of this work, release this work into the public domain.

Pg. 203: Topographical Map of Israel – WordSearchBible Software.

Pgs. 240,241: Petra, heritagebbc.com/archive/3/0256.html

Pg. 195: Putin and Ahmadinejad, (heritagebbc.com/archive/3/0248.html)

Pg. 196: Emperor Haile Sallassie -heritagebbc.com/archive3/0248.html,

Pg.197: Meles Zenawi, Prime Minister of Ethiopia, and Vladimir Putin, Prime Minister of Russia. Picture – www.kremlin.ru.,

Pg. 198: Mustafa Abdel Jalil, Chair. Libya NTC (UK Commonwealth and Foreign Office Flickr Photostream)

Pg. 214: www.history-map.com. It is combined with author’s graphics.

Pg. 215 “Satan In Disguise” – A 1513 Woodcut. – SwordMinistries.org

Pg. 320: Smoke billows from Kuwait Oil Fires. This image or file is a work of a U.S. Army Corps of Engineers soldier or employee, taken or made during the course of the person's official duties. As a work of the U.S. federal government, the image is in the public domain. (Wikipedia)

Pg.318:Random Photos of Al –Hillah -Wikipedia Commons

Art Works by Duncan Long are used by his permission; and include: Cover Artwork, Pg. 216: “A Minister of Righteousness,” Pg. 229 : “Taking the Mark,” Pg. 230 : “First Two Seconds in Hell.”

Pg. 319: Top Right Picture (CREDIT: “Roosevelt, Stalin, and Churchill on portico of Russian Embassy in Teheran, during conference--Nov. 28 (Dec. 1, 1943,” 1943. Prints and Photographs Division, Library of Congress. Reproduction Number LC-USZ62-32833. Bottom Left Picture:[Egyptian President Anwar Sadat and Israeli Prime Minister Menachem Begin acknowledge applause during a Joint Session of Congress in which President Jimmy Carter announced the results of the Camp David Accords]Digital ID: (digital file from original) ppmsca 09792 <http://hdl.loc.gov/loc.pnp/ppmsca.09792> Reproduction Number: LC-DIG-ppmsca-09792 (digital file from original negative) Repository: Library of Congress Prints and Photographs Division Washington, D.C. 20540 USA

Page 331 – “Pictorial Essay on the City of Babylon. “Top right: Nebuchadnezzar’s Babylon (www.bible- Copyright © ALL ABOUT THE BIBLE. Use of content permitted in schools and churches crediting author Elizabeth Fletcher. This Bible study website is an exceptional resource. b. Top Left Picture -“The Hanging Gardens,”- wpclipart.com/world_history/7_ancient_wonders/hanging/gardens_of_Babylon.png.html . c. Second use of “Random Photographs of Al-Hillah.



I KNOW WHO HOLDS TOMORROW

A BOOK ABOUT BIBLE PROPHECY

By Dr. Max D. Younce

WHAT THIS BOOK IS ABOUT

SECTION ONE is an overview of the dispensations and shows that, since past prophecies given in Scripture have been fulfilled; we can believe that future prophecy will be fulfilled in the same way. **SECTION TWO** includes major prophecies fulfilled by Christ when he was here. **SECTION THREE** of this book explains, in order, fifteen of the major points of Bible Prophecy; from the Rapture of the Church to the New Heavens and the New Earth. They are:

- A. **THE CHURCH AGE**, that period of time in which we now live.
- B. **THE RAPTURE OF THE CHURCH** when the church is “delivered from the wrath to come.” (1 Thessalonians 1:1)
- C. **THE JUDGMENT SEAT OF CHRIST** takes place in Heaven, after the Church is “caught-up” (Gr. harpazo, to snatch).
- D. **THE RAPTURE** is followed immediately by the 7-Year Tribulation Period. Scripture says, “And except those days should be shortened, there should no flesh be saved: but for the elect's (the saved) sake those days shall be shortened.” (Matthew 24:22) The Book of Daniel gives the figures, and they are explained by a Diagram. (Pg.180)
- E. **THE MARRIAGE SUPPER OF THE LAMB**. The Lord Jesus Christ is the Bridegroom; but, who is the Bride? (Pg. 181)
- F. **THE FIRST BATTLE OF GOG AND MAGOG**. Immediately after the Rapture of the Church, Russia and five allies come against the Nation of Israel. For more on this exciting subject, see Page 193.
- G. **AND H** give the Biography and activities of the Anti-Christ (“Beast out of the Sea”) and False Prophet (“Beast out of the Earth”). The Anti-Christ is only a man; but, one who is indwelt by the most powerful demon, Satan, himself. He could be a lost man alive today; and unknowingly waiting to play his part in the History of mankind.
- I. **THE SECOND COMING OF JESUS CHRIST**. He returns to Earth, not as the meek and mild “Lamb of God”; but, roaring out of Heaven as the “Lion out of the Tribe of Judah.” (Rev. 5:5) to defeat the Anti-Christ and his forces at the Battle of Armageddon (J).
- K. **THE JUDGMENT OF THE NATIONS** is at the end of the Tribulation; where the Lost are cast alive into the Lake of Fire. “Depart from me, ye cursed, into everlasting fire, prepared for the devil and his angels:” (Matthew 25:41)
- L. **THE KINGDOM REIGN OF CHRIST ON EARTH**. God will keep all his promises to Abraham, Isaac, and Jacob. Israel will get her land back. The Kingdom will truly be a time of peace; in contrast to the false peace promised by the Anti-Christ.
- M. **THE SECOND BATTLE OF GOG AND MAGOG**. The Anti-Christ and the False Prophet have been cast into the Lake of Fire (Rev. 19:20); Satan is chained in the Bottomless Pit for the 1,000 Year Kingdom (Rev. 20:1,2); but, is loosed for “a little season.” The Kingdom begins with all saved ; but, some children will reject Christ. With long life being restored , Satan is still able to gather an army as large as “the sand of the sea.” He “bites the dust” again as promised in Genesis 3:14.
- N. **The Great White Throne Judgment**. ALL the lost that have ever lived on Earth are now in “Hades”; or, the Lake of Fire. The Dead, “small and great” will be brought up to stand before God and the “books will be opened.” Their sentence will be, “...I never knew you: depart from me, ye that work iniquity.” (Matthew 7:23)
- O. **THE NEW HEAVENS AND THE NEW EARTH**. God will remodel this Old Earth into a new Earth, to be inhabited only by the saved in their resurrected bodies. There is no sin there, as “wherein dwelleth righteousness.” (2 Peter 3:13)

SECTION FOUR: The City of Babylon and the One-World Religious System. Remember, Jerusalem and Babylon must be existing at the time of the Rapture. Babylon will be rebuilt into the great city that suffers destruction at the end of the Tribulation Period. (Revelation, Chapters 16, 17,18) Nowhere is the United States mentioned in Bible Prophecy.

